

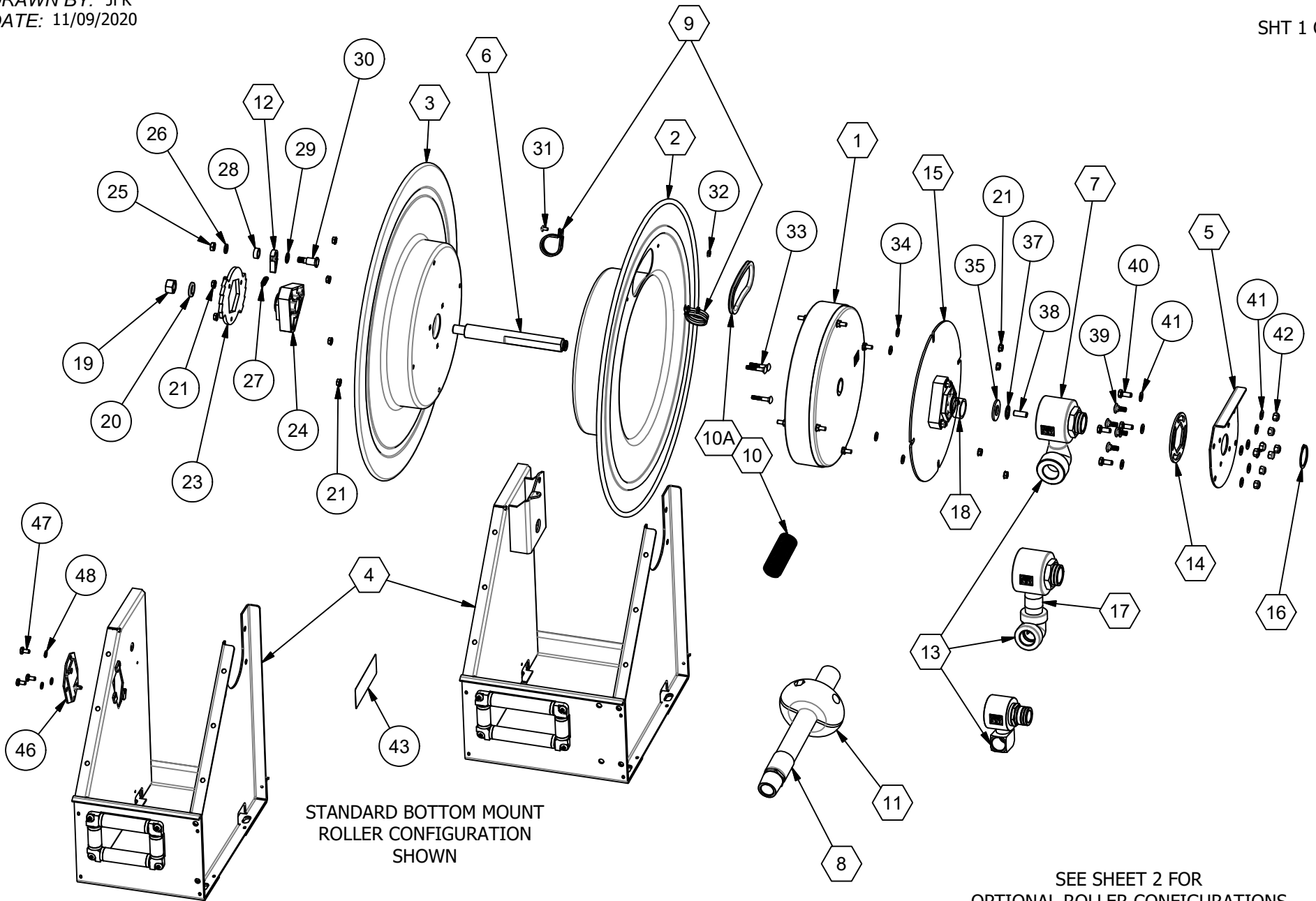
# EXP-70

REVISION: B  
ECO NO.: -  
DRAWN BY: JFK  
DATE: 11/09/2020

# COXREELS

## XTM SERIES

SHT 1 OF 2



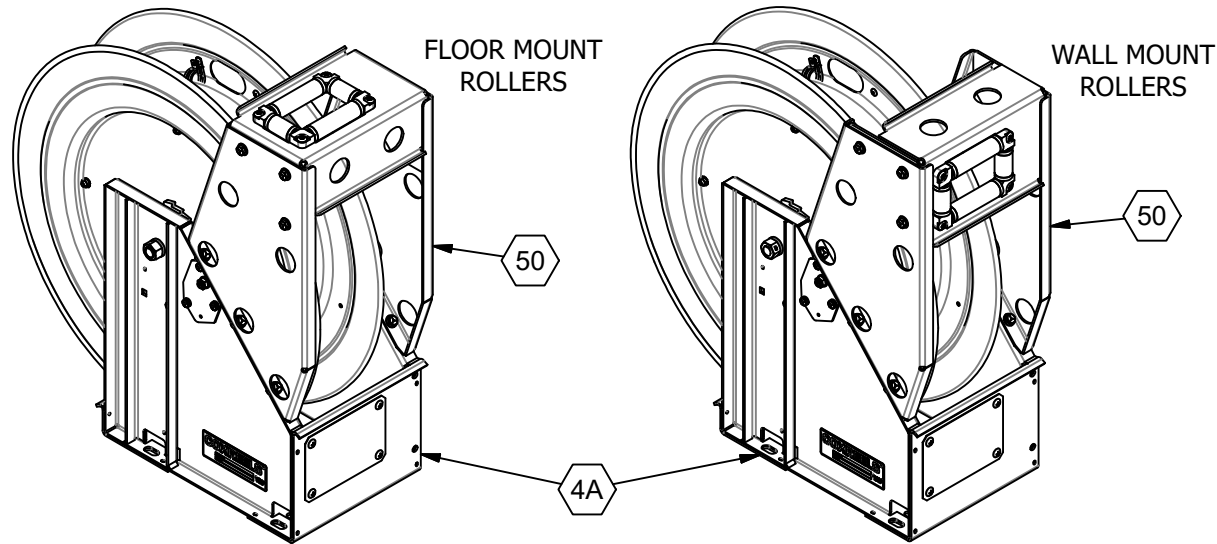
REVISION: B  
 ECO NO.: -  
 DRAWN BY: JFK  
 DATE: 11/09/2020

# COXREELS

## XTM SERIES

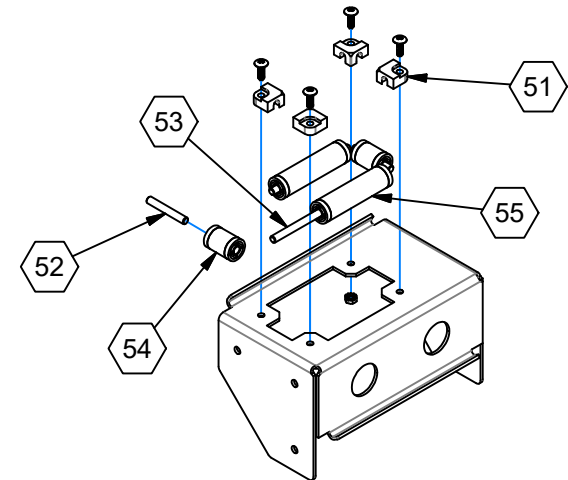
SHT 2 OF 2

### OPTIONAL ROLLER CONFIGURATIONS



### INDIVIDUAL ROLLER REPLACEMENT PARTS

NOTE: THESE REPLACEMENT PARTS ARE THE SAME FOR THE STANDARD BOTTOM MOUNT ROLLERS ON SHEET 1



REEL SIZE	FRAME ASSY (ITEM 4A)	FLOOR MOUNT ROLLER ASSY (ITEM 50)	WALL MOUNT ROLLER ASSY (ITEM 50)
NARROW FRAME 3/4"	9207-1-CVR	9348	9349
NARROW FRAME 1/2"	9207-2-CVR	9350	9351
WIDE FRAME 3/4" - 1"	9207-CVR	9360	9359

1. FOR EITHER OPTIONAL ROLLER CONFIGURATION, SUBSTITUTE FRAME ASSEMBLY W/ COVER IN PLACE OF STD FRAME ASSEMBLY W/ ROLLERS.
2. FOR REELS WITH OPTIONAL WALL MOUNT CONFIGURATION, SUBSTITUTE REVERSE VERSION SPRING CAN IN PLACE OF STD SPRING CAN ASSEMBLY.
3. FOR REELS WITH OPTIONAL WALL MOUNT CONFIGURATION, SUBSTITUTE LOCKING AXLE NUT (3584-L) IN PLACE OF STD AXLE NUT (3584).
4. FOR 3/4" AND 1" REELS WITH OPTIONAL WALL MOUNT CONFIGURATION, ROTATE SWIVEL ELBOW INTO "SUBL" ORIENTATION RATHER THAN STD "SUBR" ORIENTATION.

REEL SIZE	ITEM 51	ITEM 52	ITEM 53	ITEM 54	ITEM 55
NARROW FRAME 3/4"	8104	8106-1.5	8106-4	8102-1.5	8102-4
NARROW FRAME 1/2"	8104	8106-1	8106-4	8102-1	8102-4
WIDE FRAME 3/4" - 1"	8104	8106-1.5	8106-5	8102-1.5	8102-5

**EXP-70 : XTM SERIES**

COMMON PARTS TO ALL XTM-SERIES REELS			
ITEM	PART	DESCRIPTION	QTY
19	3584	NUT HEX 5/8-11 GR5	1
20	438	WASHER LOCK 5/8"	1
21	125	NUT KEPS 1/4-20	11
23	1924	LOCKING RING STL .250 THICK	1
24	1776-3	BEARING HUB 1"ID	1
25	184	NUT HEX JAM 3/8-16 GR5	1
26	437	WASHER LOCK 3/8"	1
27	274-1-SS	SPRING TENSION SS302	1
28	6440-SS	WASHER 0.54"ID X 0.75"OD SS304	1
29	6441-1	WASHER 0.54"ID X 0.75"OD HDPE	1
30	1620	BOLT SHOULDER 1/2" X 1-1/2" GR5	1
31	245	SCREW 10-32 x3/8 TRUSS/PHP	2

COMMON PARTS TO ALL XTM-SERIES REELS			
ITEM	PART	DESCRIPTION	QTY
32	130	NUT KEPS 10-32	2
33	1953	BOLT CRG 1/4-20 X 1-1/2" GR5	3
34	688	WASHER FLAT 1/4" SAE	4
35	1755-1	WASHER HDPE 0.76"ID X 1.56"OD	1
37	1753	RETAINING RING	1
38	10235-SS	STUD SS 3/8-16 X 1"	1
39	10220-75	BOLT CRG 5/16-18 X 3/4" GR5	4
40	312	BOLT HEX 5/16-18 X 3/4" GR5	4
41	20171	WASHER FLAT 5/16" SAE	12
42	111	NUT LOCK 5/16-18 X 0.348"W	8
43	10925-5	LABEL: STANDARD PRODUCT	1

**NOTES:**

NOTE: MODELS SUPPLIED WITH "STANDARD" HOSE UNLESS HOSE SUFFIX IS USED. USE SECOND TABLE FOR OPTIONAL HOSES AND HOSE CLAMPS.

REEL ASSEMBLY REPORTS: R100 (LATCHOUT REMOVAL), R101 (LOCKING RING PLACEMENT), R112 (TIGHTENING AND TORQUE)

\* ON "LESS HOSE" MODELS EXCLUDE ITEMS #8, #10, AND #11. ONLY CERTAIN VERSIONS ARE AVAILABLE LESS HOSE AND ARE MARKED WITH AN ASTERISK (\*)

ITEM NUMBER	1	2	3	4	5	6	7	* 8	9	* 10	10A	* 11	12	13	14	15	16	17	18	46	48
MODEL	SPRING	DRUM W/ SLOT	DRUM	BASE	SWIVEL PLATE	AXLE	SWIVEL	HOSE (STD)	CLAMP (2)	GUARD	TRIM	BALL STOP	LOCKING CAM	ELBOW	SWIVEL RETAINER	SUPPORT BEARING	RET. RING	NIPPLE	SPACER	MOUNT (CAM)	LOCK WASHER
XTM-LP-650	8734HT	7238-1	7239	9207	9206	8733	7231-1	5096-50	397	-	7460-13	20214	640-1-SS	15338-G	8972	8724	7241	7240	-	-	-
XTMF-LP-650*	8734HT	7238-1	7239	9207	9206	8733	7231F**	5092-50	397	-	7460-13	20214	640-1-BR	15338-G	8972	8724	7241	7240	-	-	-
XTM-MP-650*	8734HT	7238-1	7239	9207	9206	8733	7231-1	5093-50	397	-	7460-13	20214	640-1-SS	15348	8972	8724	7241	-	-	-	-
XTM-LP-550	654HT-1	1705-6	1704-2	9207-1	9206-1	9258	426	5155-50	384	-	7460-8	430	640-1-SS	385	8972-1	8724-1	516	-	-	9325-SS	114
XTMF-LP-550*	654HT-1	1705-6	1704-2	9207-1	9206-1	9258	426F**	5097-50	384	-	7460-8	430	640-1-BR	385	8972-1	8724-1	516	-	-	9325-SS	114
XTM-MP-550*	654HT-1	1705-6	1704-2	9207-1	9206-1	9258	426	5290-50	387	-	7460-8	430	640-1-SS	385	8972-1	8724-1	516	-	-	9325-SS	114
XTM-LP-575	8734HT-1	7238-1	7239	9207	9206-1	9259	426	5155-75	384	-	7460-8	430	640-1-SS	385	8972-1	8724	516	-	7511	-	-
XTMF-LP-575*	8734HT-1	7238-1	7239	9207	9206-1	9259	426F**	5097-75	384	-	7460-8	430	640-1-BR	385	8972-1	8724	516	-	7511	-	-
XTM-MP-575*	8734HT-1	7238-1	7239	9207	9206-1	9259	426	5290-75	387	-	7460-8	430	640-1-SS	385	8972-1	8724	516	-	7511	-	-
XTM-LP-450	693HT-2	1705-5	1704-2	9207-2	9206-2	9258	434	5154-50	382	398-1	-	131-4	640-1-SS	-	8972-2	8724-1	1754	-	-	9325-SS	114
XTMF-LP-475	693HT-2	1705-5	1704-2	9207-2	9206-2	9258	434	5154-75	382	398-1	-	131-4	640-1-SS	-	8972-2	8724-1	1754	-	-	9325-SS	114
XTM-LP-4100	658HT-1	1705-5	1704-2	9207-2	9206-2	9258	434	5154-100	382	398-1	-	131-4	640-1-SS	-	8972-2	8724-1	1754	-	-	9325-SS	114
XTM-MP-450	658HT-1	1705-5	1704-2	9207-2	9206-2	9258	434	5256-50	383	398-1	-	131-4	640-1-SS	-	8972-2	8724-1	1754	-	-	9325-SS	114
XTM-MP-475	658HT-1	1705-5	1704-2	9207-2	9206-2	9258	434	5256-75	383	398-1	-	131-4	640-1-SS	-	8972-2	8724-1	1754	-	-	9325-SS	114
XTM-MP-4100*	658HT-1	1705-5	1704-2	9207-2	9206-2	9258	434	5256-100	383	398-1	-	131-4	640-1-SS	-	8972-2	8724-1	1754	-	-	9325-SS	114
XTM-LP-350	693HT-2	1705-5	1704-2	9207-2	9206-2	9258	433	5153-50	381	237-1	-	131-3	640-1-SS	-	8972-2	8724-1	1754	-	-	9325-SS	114
XTM-LP-375	658HT-1	1705-5	1704-2	9207-2	9206-2	9258	433	5153-75	381	237-1	-	131-3	640-1-SS	-	8972-2	8724-1	1754	-	-	9325-SS	114
XTM-LP-3100	657HT-1	1705-5	1704-2	9207-2	9206-2	9258	433	5153-100	381	237-1	-	131-3	640-1-SS	-	8972-2	8724-1	1754	-	-	9325-SS	114
XTM-MP-350	693HT-2	1705-5	1704-2	9207-2	9206-2	9258	433	5224-50	381	237-1	-	131-3	640-1-SS	-	8972-2	8724-1	1754	-	-	9325-SS	114
XTM-MP-375	658HT-1	1705-5	1704-2	9207-2	9206-2	9258	433	5224-75	381	237-1	-	131-3	640-1-SS	-	8972-2	8724-1	1754	-	-	9325-SS	114
XTM-MP-3100*	657HT-1	1705-5	1704-2	9207-2	9206-2	9258	433	5224-100	381	237-1	-	131-3	640-1-SS	-	8972-2	8724-1	1754	-	-	9325-SS	114
XTM-HP-350	693HT-2	1705-5	1704-2	9207-2	9206-2	9258	521	5336-50	613	237-1	-	131-3	640-1-SS	-	8972-2	8724-1	1754	-	-	9325-SS	114
XTM-HP-375*	658HT-1	1705-5	1704-2	9207-2	9206-2	9258	521	5336-75	613	237-1	-	131-3	640-1-SS	-	8972-2	8724-1	1754	-	-	9325-SS	114

ITEM NUMBER	(-OG)		(-RH)		(-BH)		(-DF)		(-SC)		(-GS)	
	* 8	9	* 8	9	* 8	9	* 8	9	* 8	9	* 8	9
MODEL	HOSE (-OG)	CLAMP (2)	HOSE (-RH)	CLAMP (2)	HOSE (-BH)	CLAMP (2)	HOSE (-DF)	CLAMP (2)	HOSE (-SC)	CLAMP (2)	HOSE (-GS)	CLAMP (2)
XTM-LP-650	-	-	5096-1-50	397	5096-2-50	397	-	-	5105-50	-	-	-
XTMF-LP-650	-	-	-	-	-	-	-	-	-	-	5092-1-50	397
XTM-LP-550	5163-50	384	5091-50	384	5091-1-50	384	5097-2-50	384	-	-	-	-
XTMF-LP-550	-	-	-	-	-	-	-	-	-	-	5097-1-50	384
XTM-LP-575	5163-75	384	5091-75	384	5091-1-75	384	5097-2-75	384	-	-	-	-
XTMF-LP-575	-	-	-	-	-	-	-	-	-	-	5097-1-75	384
XTM-LP-450	5131-50	382	5066-50	382	5066-1-50	382	-	-	-	-	-	-
XTM-LP-475	5131-75	382	5066-75	382	5066-1-75	382	-	-	-	-	-	-
XTM-LP-4100	5131-100	382	5066-100	382	5066-1-100	382	-	-	-	-	-	-
XTM-LP-350	5101-50	381	5045-50	381	5045-1-50	381	-	-	-	-	-	-
XTM-LP-375	5101-75	381	5045-75	381	5045-1-75	381	-	-	-	-	-	-
XTM-LP-3100	5101-100	381	5045-100	381	5045-1-100	381	-	-	-	-	-	-

\*\* ALL XTMF FUEL REELS WILL HAVE EITHER THE 7231F OR 426F FUEL SWIVEL.

GROUNDING PATH CONTINUITY THRU SWIVEL ASSEMBLY TO BE VERIFIED ON ALL FUEL SWIVELS.  
GROUNDING PATH CONTINUITY ON FUEL REELS WITH "-GS" GASOLINE HOSE TO BE VERIFIED FROM FITTING ON FAR END OF HOSE THRU SWIVEL ASSY.

REFER TO COXREELS FUEL SWIVEL VISUAL AID INSTRUCTION.