

PORTABLE AIR COMPRESSOR OWNER'S MANUAL

MANUEL D'INSTRUCTION FRANÇAIS – PAGE 16
MANUAL DE INSTRUCCIONES ESPAÑOLAS – PÁGINA 31

MODEL: VT20ST

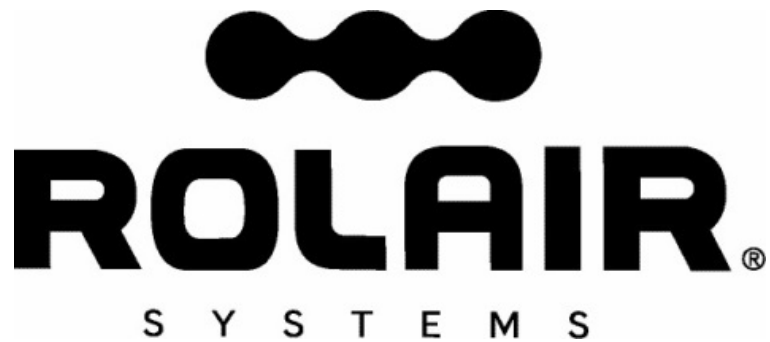
SERIAL NUMBER: _____

Thank you for purchasing a ROLAIR!

If after reading this manual you have any questions whatsoever on the proper installation, operation, or maintenance of your air compressor please feel free to contact our Customer Service Department at 1-800-310-3573.

We would love to hear from you!

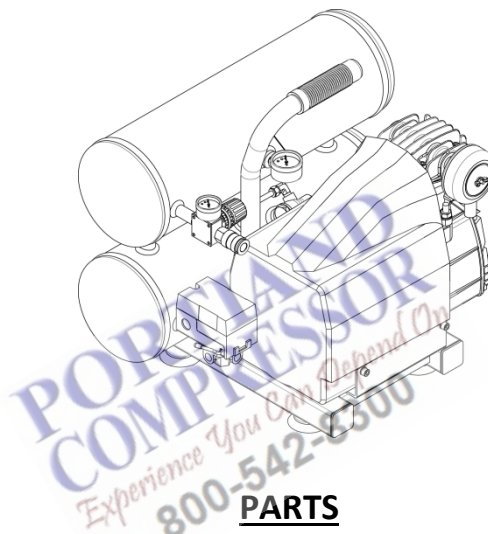




ROLAIR[®]

S Y S T E M S

VT20ST OWNER'S MANUAL



Genuine ROLAIR replacement parts are sold nationwide through a network of authorized dealers and service centers. Please contact the dealership where your air compressor was purchased or our factory Customer Service Department if you need help troubleshooting, obtaining parts, or locating an authorized ROLAIR service representative.

To order replacement parts:

1. Give compressor model number
2. Give compressor serial number
3. Name of part
4. Part number
5. Quantity required

RECORD OF PERTINENT INFORMATION

Make a permanent record of the model and serial number of your new air compressor here. You'll save time and expense by including this reference information when requesting service or replacement parts.

Place & Date of Purchase		Volts
Model		HZ
Serial #		HP

TABLE OF CONTENTS

Introduction and Definitions of Safety Warnings	2
Safety Warnings	3-7
Identification of System Controls	8-9
Pre-Start Checklist	9-10
Specifications	10
Operation	10-11
Maintenance	11-13
Troubleshooting	14
Guarantee	15

INTRODUCTION


Congratulations on the purchase of your new ROLAIR air compressor!


With over 50 years experience building ROLAIR air compressors specifically designed for the professional, Associate Engineering Corporation has earned a reputation for providing a product unsurpassed in quality and reliability. We are committed to continuing this tradition by analyzing and adapting to the changing needs and rigorous demands of your industry. You can depend on ROLAIR because they are built to last.


This manual was compiled for the benefit of the operator. Do not use or allow anyone else to use your air compressor until this manual is read and all safety/operating instructions are understood. By reading and following the instructions contained in this manual, you can achieve years of trouble free service from your new air compressor. If you have any additional safety or operating questions after reading this manual, please contact your distributor or our customer service department. Do not remove or paint over any of the warning decals attached to the compressor. If any warning decal is missing or unable to be read, discontinue use and contact us for a free replacement (1-800-310-3573).

Definitions – Safety Warnings

Safety symbols are used throughout this manual to alert you to imminently hazardous and potentially hazardous situations. The following definitions describe the level of severity for each signal word.

 **DANGER:** Indicates an imminently hazardous situation which, if not avoided, WILL result in death or serious injury.

 **WARNING:** Indicates a potentially hazardous situation which, if not avoided, COULD result in death or serious injury.

 **CAUTION:** Indicates a potentially hazardous situation which, if not avoided, MAY result in minor or moderate injury or damage to the air compressor, or other property.

⚠️ WARNING: Do not start, operate, or service this machine until you read and fully understand owner’s manual. Failure to do so could result in death or serious injury. If you have any questions, call us toll free at 1-800-310-3573.

⚠️ WARNING: CONTAINS LEAD. May be harmful if eaten or chewed. May generate dust containing lead. Wash hands after use. Keep out of reach of children.

⚠️ WARNING: This product can expose you to chemicals including lead, which is known to the State of California to cause cancer and birth defects or other reproductive harm. For more information go to www.P65Warnings.ca.gov.

SAVE THESE INSTRUCTIONS!



⚠️ DANGER: RISK OF EXPLOSION OR FIRE

WHAT CAN HAPPEN

HOW TO AVOID IT

<ul style="list-style-type: none"> Electrical components within the motor and pressure switch will spark. This is normal. If electrical sparks from the compressor come into contact with flammable vapors, they may ignite, causing fire or explosion. 	<ul style="list-style-type: none"> Always operate the compressor in a well-ventilated area away from any flammable vapors, liquid, paint, gasoline, or any other combustible material. Always locate compressor at least 20 ft. (6.1m) away from work area if spraying flammable materials. Store flammable materials in a secure location away from the compressor.
<ul style="list-style-type: none"> Inadequate ventilation, or restrictions to any of the compressor’s ventilation openings, will cause serious overheating and could cause a fire. 	<ul style="list-style-type: none"> Never place objects against or on top of an air compressor. Always operate air compressor at least 18” away from any wall or obstruction. Always operate in a clean, dry, and well-ventilated area.
<ul style="list-style-type: none"> Unattended compressors with leaks in the unit or air system could start unexpectedly and repeatedly and could result in overheating, fire, and personal injury or property damage. A fire can occur if spilled gas or vapors come into contact with hot engine parts, lit cigarettes, or other sources of ignition. 	<ul style="list-style-type: none"> Always remain in attendance with the compressor when it is operating. Always turn off and unplug the compressor when it is not in use. Never attempt to fill the gas tank while the engine is hot or running. Add fuel outdoors and in a well-ventilated area. Do not fill gas tank near lit cigarettes or near other sources of ignition.

PORTLAND COMPRESSORS
 Experience You Can Depend
 800-542-8300



⚠️ DANGER: RISK TO BREATHING (ASPHYXIATION)

WHAT CAN HAPPEN

HOW TO AVOID IT

<ul style="list-style-type: none"> Air from your compressor is not safe for breathing and may contain carbon monoxide, toxic vapors, or solid particles. Serious injury or death may occur from inhaling the compressed air from your air compressor. 	<ul style="list-style-type: none"> Never inhale compressed air directly from the pump, tank, receiver, or breathing device connected to the air compressor. The compressor is not equipped with suitable filters and in-line safety equipment for human consumption. Do not use discharge air for breathing.
<ul style="list-style-type: none"> Sprayed materials such as paint, stucco, insecticides, solvents, etc. may contain harmful vapors and poisons. 	<ul style="list-style-type: none"> Operate compressor and perform work only in a well-ventilated area. Read and follow the safety instructions provided on the label or safety data sheets for the materials you are spraying. Always use certified safety equipment designed for your specific application.
<ul style="list-style-type: none"> For gas-powered compressors, engine exhaust fumes contain poisonous carbon monoxide which is odorless and colorless. Inhaling those fumes could lead to serious injury or death. 	<ul style="list-style-type: none"> Operate compressors only in well-ventilated areas. Avoid inhaling engine exhaust fumes, and never run a small gas-powered engine in a closed building or confined area without adequate ventilation.



⚠️ WARNING: RISK OF BURSTING

AIR TANK: Air tanks do not have an infinite life and should be inspected once every year to ensure they are still safe for use. To find your state pressure vessels inspector, look under the Division of Labor and Industries in the government section of a phone book or call us toll-free at 1-800-310-3573 for assistance.

The following conditions could lead to a weakening of the air tank, and result in a violent air tank explosion:

WHAT CAN HAPPEN	HOW TO AVOID IT
<ul style="list-style-type: none"> Failure to properly and regularly drain condensed water from the air tanks will lead to rust and thinning of the steel air tank can lead to a violent air tank explosion. Modifications, alterations, or attempted repairs made to the air tank can lead to a violent air tank explosion. 	<ul style="list-style-type: none"> Drain tanks daily or after every 4 hours of use. If a tank develops a leak, replace it immediately with a new air tank, or new complete compressor. Never drill into, dent, weld, patch, or modify the air tank, or its attachments in any way. If you are in possession of a tank in which it appears any of those conditions exist or were attempted, discontinue use and replace air tank immediately. Never attempt to repair a damaged or leaking air tank. Replace with a new tank immediately.
<ul style="list-style-type: none"> Unauthorized modifications to the safety valve, pressure switch, pilot unloader valve, or any other component which controls air tank pressure can lead to a violent air tank explosion. 	<ul style="list-style-type: none"> The air compressor is designed to safely operate and withstand specific factory set pressure. Never make adjustments or parts substitutions to components that control air tank pressure or factory set operating pressures. Do not make alterations to the factory operating pressure settings. Before starting, and with air tank pressure at zero, pull the ring on the safety valve to make sure it moves freely. Never operate without a factory approved safety valve.

Attachments & Accessories:

<ul style="list-style-type: none"> Exceeding the pressure rating of air tools, spray guns, accessories, tires, or any other inflatables can cause them to explode or fly apart. 	<ul style="list-style-type: none"> Do not use air tools or attachments before reading the owner's manual to determine the safe maximum pressure rating. Never exceed the manufacturer's maximum allowable pressure ratings. Never use the compressor to inflate small low pressure objects such as children's toys, balls, etc.
--	--



⚠️ DANGER: RISK OF INJURY OR PROPERTY DAMAGE WHEN TRANSPORTING OR STORING

WHAT CAN HAPPEN	HOW TO AVOID IT
<ul style="list-style-type: none"> Oil from the compressor can leak or spill and could result in fire or breathing hazard; serious injury or death can result. Oil leaks will damage carpets, paint, or any other surfaces. 	<ul style="list-style-type: none"> Always keep compressor level and never lay on its side. When transporting, always place compressor on a protective mat to prevent against damage from leaks. Always remove compressor from vehicle immediately upon arrival at your destination. If an oil leak is found, follow all local safety codes for cleanup of hazardous materials.



⚠ WARNING: RISK OF ELECTRICAL SHOCK

WHAT CAN HAPPEN

HOW TO AVOID IT

- **Electrical Grounding:** Failure to provide adequate grounding to the compressor could result in serious injury or death from electrocution.
- Your air compressor is powered by electricity. Like any electrically powered device, if it is not used properly it may cause electric shock.

- Always make certain that the electrical circuit to which the compressor is connected provides proper electrical grounding, correct voltage, and adequate fuse protection. If you are unsure, or have any questions about proper electrical grounding, correct voltage, or adequate fuse protection please call us toll-free at 800-310-3573.
- Never operate the compressor outdoors when it is raining, snowing, or in wet conditions.
- Never let your electrical cord lay in water.
- Never operate the compressor with a damaged power cord, or with protective covers damaged or removed.
- Never touch plug with wet hands.
- Never pull on electric cord to disconnect from the outlet.
- Any electrical repairs or wiring performed on this compressor should only be performed by ROLAIR authorized service personnel and in accordance with all national and local electrical codes.

- Serious injury or death can occur if repairs are attempted by unauthorized personnel.



⚠ WARNING: RISK FROM FLYING OBJECTS

WHAT CAN HAPPEN

HOW TO AVOID IT

- Serious injury and property damage can occur from loose debris being propelled at high speeds from the compressed air stream.

- Always wear certified safety equipment: ANSI Z87.1 eye protection (CAN/CSA Z94.3) with side shields when using the compressor.
- Never direct the air stream, nozzle, or sprayer towards any part of your body, other people, or animals.
- Always turn off the compressor and drain tank pressure completely before attempting maintenance or attaching air hose or tools.



⚠ WARNING: RISK OF HOT SURFACES

WHAT CAN HAPPEN

HOW TO AVOID IT

- Serious burn injuries can result from touching exposed metal parts such as the engine or motor, pump, or any part of the copper/braided discharge lines and components. These parts will become hot during operation and stay hot for an extended period of time even after the compressor is shut down.

- Never touch any of the exposed metal parts during operation and for an extended period of time after shut down.
- Do not reach around shrouds or attempt any maintenance until the unit has been allowed to completely cool.



⚠️ WARNING: RISK FROM MOVING PARTS

WHAT CAN HAPPEN

HOW TO AVOID IT

- Serious injury or death can occur if moving parts such as belts, flywheels, pulleys, or fans come into contact with you or your clothing.
- An electric air compressor can restart at any time when plugged in, and an unexpected startup can result in serious injury, death, or property damage.
- Attempting to operate the compressor with any damaged or missing parts, protective guards, shrouds, or covers will expose you to moving parts and can result in serious injury or death.

- Prior to operation, always make sure all protective guards and covers are in good condition, and never operate the compressor if any guard or cover has been removed or damaged.
- Always keep your hair, jewelry, clothing, and gloves away from moving parts as they can be caught.
- It is common for air vents to cover moving parts, so they should be avoided as well.
- Always unplug the compressor when not in use.
- Always drain air tank pressure completely before attempting any repairs or maintenance.
- Never allow children or adolescents to operate the air compressor.
- Any repairs to the air compressor must only be made by ROLAIR factory authorized personnel.



⚠️ WARNING: RISK FROM LIFTING

WHAT CAN HAPPEN

HOW TO AVOID IT

- Serious injury can result from attempting to lift an object that is too heavy.

- Always obtain assistance from others before attempting to lift any object that is too heavy for you.



⚠️ WARNING: RISK OF FALLING

WHAT CAN HAPPEN

HOW TO AVOID IT

- A compressor may vibrate and move during the course of normal operation resulting in a fall from a table, workbench, roof, or other platform causing damage to the compressor, property damage, and could result in serious injury or death to anyone nearby.

- Always operate air compressor in a stable and secure position to prevent accidental movement of the unit. Never operate compressor on a roof or other elevated position. Use air hose to reach high locations.



⚠️ WARNING: RISK FROM NOISE

WHAT CAN HAPPEN

HOW TO AVOID IT

- Under some conditions and duration of use, noise from this product may contribute to hearing loss.

- Always wear certified safety equipment: ANSI S12.6 (S3.19) hearing protection.



⚠ WARNING: RISK OF UNSAFE OPERATION

WHAT CAN HAPPEN

- Serious injury or death can occur to you or others if air compressor is used in an unsafe manner.

HOW TO AVOID IT

- Review and understand all instructions in your owner's manual.
- Know how to stop the air compressor at all times.
- Do not operate until you are thoroughly familiar with all of the controls.
- Do not operate the compressor if you are fatigued, under the influence of alcohol or drugs, or in any other state which might impair judgment.
- Stay alert while operating the compressor and pay close attention to the task at hand.



⚠ CAUTION: RISK OF DAMAGE TO AIR COMPRESSOR OR PROPERTY

WHAT CAN HAPPEN

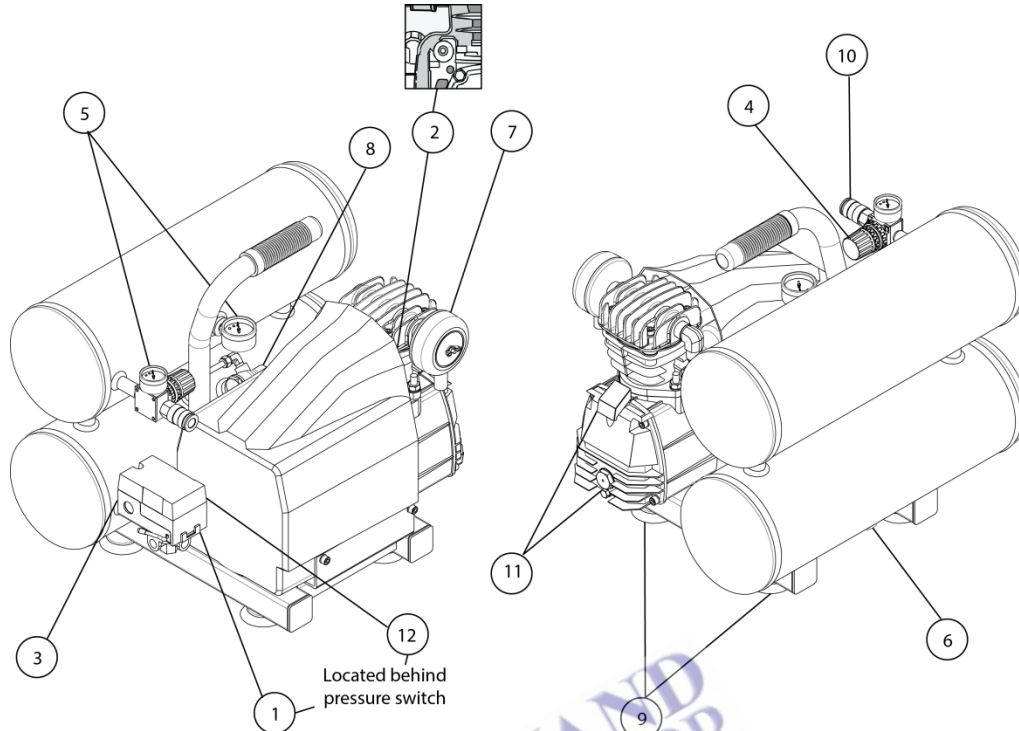
- Failure to transport or operate the compressor properly may result in major repair expenses.

HOW TO AVOID IT

- Check oil levels daily and maintain proper oil levels.
- Always operate compressor in a secure and level position.
- Do not operate without an air filter or in a corrosive environment.

FOR GAS ENGINE POWERED AIR COMPRESSORS – Please note that your gas powered air compressor may not be equipped with a spark arresting muffler. If the compressor is operated around flammable materials or agricultural crops, brush, forests, and grasslands, an approved spark arrestor must be installed, maintained and in good working order. An approved spark arrestor is legally required in the state of California under sections 4442 and 4443 of the California Public Resources Code Statute section 130050. Check your local and state regulations to determine if a spark arrestor is needed for your area of operation.

SYSTEM CONTROLS



(1) SAFETY-RELIEF VALVE Every ROLAIR air compressor is equipped with a safety-relief valve which is designed to discharge tank pressure at a predetermined setting when a systems failure occurs. Check the safety valve daily by pulling on the ring only when the tank pressure is completely drained. The spring loaded valve should move freely within the safety valve body. An inoperable safety valve could allow an excessive amount of tank pressure to build causing the air tank to violently rupture or explode.



Do not tamper with or attempt to eliminate the safety relief valve.

(2) MANUAL OVERLOAD / MOTOR RESET Every ROLAIR electric air compressor is built with manual overload protection. If the motor overheats, the overload sensor will *trip* the reset button to protect the motor. If this occurs, please allow the motor to cool for approximately five minutes. Locate and push in the reset button. The use of an undersized or excessive length of extension cord may be the cause of overheating. Re-evaluate the power source and gauge/length of extension cord being used. (Refer to chart on page 10)

(3) PRESSURE SWITCH Most electric air compressors are operated by the use of a pressure switch. Always make sure the lever is in the "Off" position before plugging in the power cord. By moving the lever to the "On/Auto" position, the compressor will start and stop automatically within the settings of the pressure switch which are typically 95 – 125 PSI. Do not attempt to stop the compressor by unplugging the power cord. To stop, simply move the lever to the "Off" position. The lever operates a relief valve that dumps off head pressure and allows the compressor to restart without load the next time it is used.

(4) REGULATOR – WORKING PRESSURE To adjust the output/line pressure, simply lift up on the regulator adjustment knob and rotate clockwise to increase working pressure or counterclockwise to decrease. Push adjustment knob back down to lock in setting. Never exceed the manufacturer's maximum allowable pressure rating of the tool being used or item being inflated.

(5) PRESSURE GAUGE(S) Typically, most compressors are designed with a gauge to measure tank or storage pressure and another gauge attached to the regulator that indicates output or working pressure.

(6) DRAIN VALVE(S) One or more drain valves are installed to allow moisture to be drained on a daily basis from the compressor storage tank(s). Open drains carefully and slowly to prevent scale, rust, or debris from becoming expelled at a high rate of speed.

(7) AIR INTAKE FILTER Air intake filters are installed to prevent foreign matter from entering the engine or compressor pump. Check intake elements on a regular basis and either clean or replace as needed. Warm soapy water or low compressed air may be used to clean the elements. Check intake canisters or elbow components for cracks or broken seals and replace if structural problems are found.

SYSTEM CONTROLS (continued)

(8) CHECK VALVE Every ROLAIR air compressor is built with a check valve to seal off and maintain tank pressure after the top end pressure setting of pilot valve or pressure switch is reached. The check valve works in conjunction with the pressure switch relief valve to provide a loadless start for the compressor system. A quick burst of air escaping from the pressure switch relief valve after an electric unit reaches top end indicates the check valve is working properly. If the compressor has a mysterious leak after stopping that cannot be traced elsewhere, the check valve may require servicing/replacing.

(9) VIBRATION DAMPENER(S) The rubber pads installed beneath every portable ROLAIR tank assembly are very important to the proper operation of the air compressor. They provide protection from vibration that left unchecked could cause damage to many system components.

(10) QUICK DISCONNECT A universal or 3-way quick disconnect is installed on your air compressor . Simply push a 1/4" male plug into coupler to snap hose fitting into coupler. Always relieve pressure from coupler before installing or removing hose. See instructions for regulator (#4 above). Pull back on collar to remove air hose after pressure is relieved

(11) BREATHER/OIL FILL PLUG All reciprocating air compressor pumps are built with a crankcase vent to relieve the pressure that is created by the downward movement of the piston in the pump cylinder. Our direct-drive air compressors vent the crankcase pressure through special ports in the dipstick. Our belt-drive units vent through the oil-fill plug. Never operate the air compressor without the dipstick or oil-fill plug.

(12) PRESSURE SWITCH RELIEF VALVE Most electric air compressors set up to operate start/stop are equipped with a pressure switch relief valve. This valve works in conjunction with the tank check valve to bleed off the compressed air trapped between the pump and check valve after each cycle, allowing for easier restarts. A brief, audible hiss of air at the end of each cycle signifies the valve is working properly. A continuous leak at the relief valve at the end of a cycle would indicate a problem with the check valve. An improperly functioning relief valve/check valve could lead to premature gasket and/or motor failures.

PRE-START CHECKLIST

Read the owner's manual thoroughly. Make sure that you completely understand all of the safety warnings, system controls and instructions provided before attempting to operate this air compressor. Every effort has been made to provide you with the information needed to obtain many years of reliable and trouble-free service out of your new air compressor. It is your responsibility to operate the air compressor properly. To obtain the longest possible service life from your air compressor you must always keep the following instructions in mind.

1. ALWAYS OPERATE THE COMPRESSOR IN A LEVEL POSITION

All splash-lubricated pumps have a dipper on the bottom of the connecting rod that must remain submerged in the oil bath. Operation at more than a 10 degree angle will cause the pump to seize and void the product warranty

2. OPERATE IN A CLEAN, DRY AND WELL VENTILATED AREA

Do not operate in the rain or in areas of standing water. Never operate in an area where other gases, fumes or vapors are present which may become explosive when compressed. Do not operate compressor in an enclosed area.

3. CHECK OIL LEVEL DAILY AND CHANGE AT REGULAR INTERVALS

Refer to the maintenance section of this owner's manual for the correct type/weight of oil to use and how often the oil should be changed. Check oil levels daily.

4. INSPECT/CLEAN/CHANGE INTAKE ELEMENTS ON A REGULAR BASIS

The ingestion of dirt into the pump and engine is the primary cause of premature wear. Pay special attention to the intake filters. Check intake filters daily.

PRE-START CHECKLIST (continued)

5. USE LONGER, PROPERLY SIZED AIR HOSE RATHER THAN EXTENSION CORDS

If an extension cord must be used, please refer to the chart below for the proper gauge and maximum length that can be used. The use of inadequately sized air hose will also lead to frictional pressure drops that could affect the proper performance of your air tools.

ELECTRIC EXTENSION CORD TABLE		
Minimum Wire Size		
Extension Cord Length	Motor 1/2 and 3/4 HP	Motor 1, 1-1/2, and 2 HP
Up to 25 ft.	14 Ga.	12 Ga.
25 – 50 ft.	12 Ga.	10 Ga.
50 – 100 ft.	10 Ga.	8 Ga.

6. DO NOT USE A GENERATOR AS THE POWER SOURCE

Air compressors use inductive motors that require 3-5 times the full-load amp draw to properly start. Most generators will not provide the wattage needed to properly start this type of electric motor.

7. CHECK TENSION OF BOLTS AND HARDWARE ON A REGULAR BASIS

Operation of any equipment with loose bolts and/or fittings will lead to excessive vibration and the premature failure of the compressor system control components.

8. MAINTAIN RUBBER VIBRATION PADS

Excessive vibration is a major cause of premature compressor failure. Always maintain the rubber vibration pads located beneath tank assembly. Operation without them will void your warranty.

9. DRAIN MOISTURE FROM AIR TANKS DAILY

Water is a natural byproduct of compressed air. Drain air tank(s) after each use to combat internal tank corrosion. Keep drain valve(s) closed if storing compressor for any length of time.

SPECIFICATIONS

VT20ST			
Horsepower	2 HP	Tank Capacity	4.2 Gallon
Voltage	120 V	Pump-Up Time (0-125 PSI)	1:23
Hertz	60 hZ	Recovery Time (95-125 PSI)	:20
Phase	Single	CFM Displacement	5.5
Motor RPM	1700	Cu. Ft. Delivered @ 40 PSI	4.8
Stages	Single	Cu. Ft. Delivered @ 90 PSI	4.2
Amperage	13.5	Dimensions (LxWxH in)	19x16x17
Thermal Protection	Manual	Weight	62 lbs
Factory Settings	95-125 PSI	Noise Level	74 dBA
Oil Fill Amount	10 oz	Duty Cycle	Continuous

OPERATION

WARNING — Your safety and the wellbeing of others during the operation of every ROLAIR compressor is our main concern. Do not operate or permit anyone else to operate your air compressor until the information contained in this manual is read and completely understood. Please contact your distributor or our customer service department if you have any questions on the proper use of your air compressor.

WET CONDITIONS: Do not operate your compressor in damp or wet conditions, or after it has been exposed to rain/sleet/ice/snow or moisture of any kind. Failure to follow this warning could lead to electric shock and/or rust and ice forming on critical components, making the compressor dangerous to operate. Always operate and/or store compressor in a clean, dry location with good ventilation.

OPERATION (continued)

DIRECT-DRIVE ELECTRIC

Establish that the air compressor is ready to operate by reviewing the topics and information provided in the “Pre-Start Checklist” section of this manual. Slowly open tank drain to remove any condensate that has accumulated and keep drain open for a few seconds after starting to warm up motor/pump assembly. Make sure the pressure switch lever is in the “Off” position before plugging power cord into a properly grounded outlet. Move pressure switch lever to the “On/Auto” position to build and automatically maintain top end tank pressure setting. Rotate regulator adjustment knob counterclockwise until the gauge attached reads 0 PSI before attaching air hose and accessory. Set working pressure by rotating regulator adjustment knob clockwise and lock in working pressure according to specifications provided by the tool manufacturer. Always use the pressure switch “On(Auto)/Off” lever to start or stop the air compressor. **Never** stop the compressor by unplugging it from the power source. Store compressor in a warm/dry location and perform maintenance as indicated in manual.

DUTY CYCLE:

Several ROLAIR direct-drive machines, Models FC1500HBP2, FC1500HS3 and JC10, are rated for 70% duty cycle. If subjected to continuous operation the internal overload will shut down the motor and only restart when sufficient cooling has occurred.

FREEZING TEMPERATURES:

Proper fluid maintenance and warm up procedures are mandatory before attempting to start or operate an air compressor in freezing temperatures. Water, a natural byproduct of compressed air, could turn into ice and potentially block air flow into, through, and/or out of the pump, air tank(s), and air line(s). Drain air tanks/ lines after every use and leave drain valves open when not in use.

If all, or part, of the compressor may be frozen, you must completely thaw the compressor before attempting to start. Gradually increase the temperature above freezing and then drain moisture from the air tanks, intercoolers, and water traps.

Cold Weather Best Practices:

- Do not attempt to start a frozen compressor. Thaw completely first.
- Store your air compressor in a clean, dry area that stays consistently above freezing temperatures.
- Change the oil in the pump and engine to winter grade (check owner’s manual).
- Prior to starting, open the tank drain(s) and allow the compressor to run for 45-60 seconds with the tank drain(s) open before closing to build tank pressure.
- Using a lubricator with de-icing fluid may also be needed to keep your air lines from freezing up/blocked by ice.
- Contact your ROLAIR dealer or our factory customer service department if you have additional questions.

HIGH-ALTITUDE OPERATION:

Due to a decrease in atmospheric pressure air compressor pumps produce less CFM at higher elevations. As a rule of thumb the output will decrease approximately three percent per 1000 feet of elevation. Also, because air at higher elevations is less dense and does not cool as well, electric motors cannot be subjected to the full nameplate service factor amp rating and may need to be upgraded to avoid repeated overheating.

Direct drive or hand-carry compressors built with cold-start valves may need to be modified when operated in higher elevations. Contact our factory Customer Service Department if your normally reliable air compressor fails to operate correctly at higher elevations.

MAINTENANCE

Your new air compressor represents the finest engineering and construction available. Even the best machinery requires periodic maintenance. Please stick to the maintenance schedule and consider the suggestions that follow to keep your compressor in peak condition.

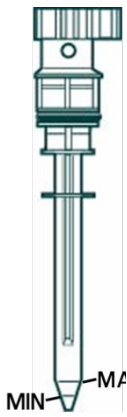
NOTE: Always unplug or shut down your compressor and drain the air tanks completely before attempting any type of maintenance. Wait for compressor to cool before servicing.

IMPORTANT: Replace the oil after the first 50 hours of operation.

MAINTENANCE HINTS:

- 1) Use a soap/water solution to check for air leaks.
- 2) Never clean filters with a flammable solvent.
- 3) Retorque head bolts only after pump has cooled.
- 4) Never weld on air tank(s).
- 5) Use heat to loosen Loctite seal on drain valves, engine pulleys, and flywheels before attempting to remove.

MAINTENANCE (continued)

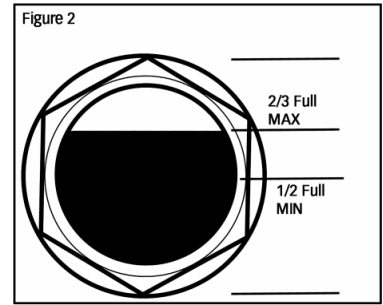


LUBRICATION

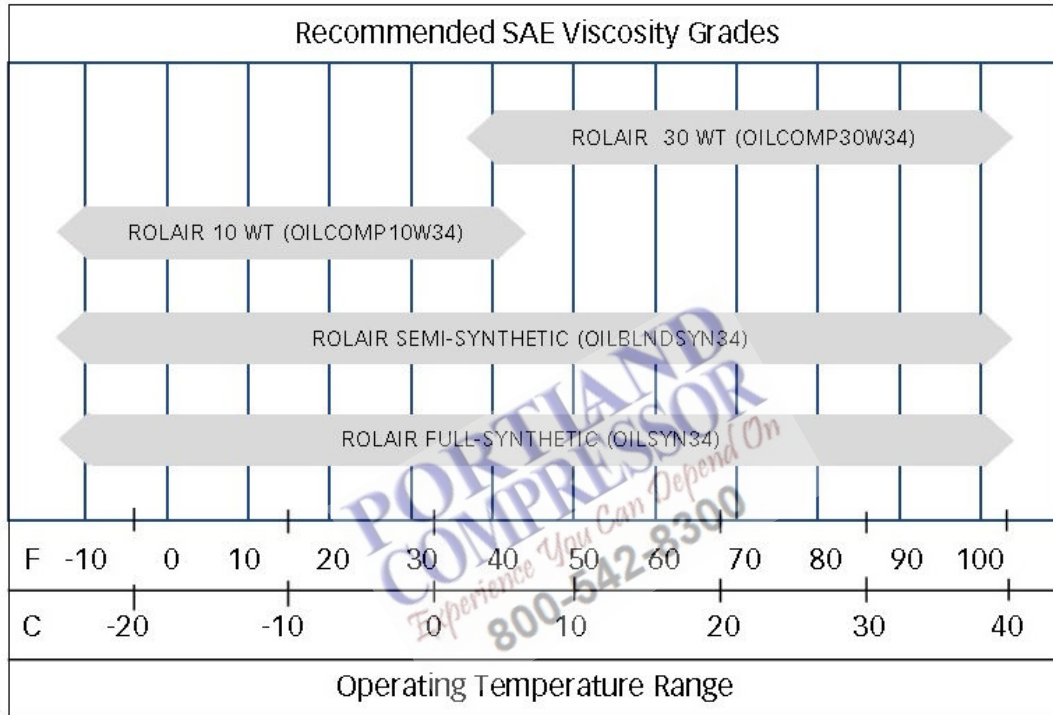
Prior to each use, make a habit of checking the pump oil level. Most direct-drive air compressors have a dipstick with casting marks that indicate the minimum and maximum acceptable levels of oil. Always maintain the oil level at the maximum mark on the dipstick or to 2/3 full in the sight gauge

Do not operate the pump with an inadequate or excessive amount of oil. The cost of failures which occur due to incorrect oil levels will not be covered under warranty.

DO NOT USE A DETERGENT OIL!
NOTE: Unit must be level when in operation



OIL CHART



- ROLAIR Standard 10 WT or 30 WT Should be changed every 200-400 hours after the break-in period
- ROLAIR Semi-synthetic should be changed every 1,000 - 2,000 hours
- ROLAIR Full-synthetic should be changed every 2,000 - 4,000 hours

MAINTENANCE (continued)

MAINTENANCE SCHEDULE

Recommendation	Daily	Weekly	Monthly	Quarterly	Annually
Check Oil Level	X				
Drain Moisture from Tank(s)	X				
Inspect Air Filter(s)	X				
Check for Unusual Noise or Vibration	X				
Inspect Belt Guard	X				
Check for Air or Oil Leaks	X				
Clean Exterior of Air Compressor		X			
Check Condition of Vibration Pads		X			
Tighten/Retorque Bolts		X			
Check Belt Tension		X			
Check Operation of Safety Valve		X			
Change Compressor Oil			X		
Clean/Change Air Filter			X		
Perform Pump Up Time Test			X		
Check Operation of System Controls				X	
Check Air Tanks for Dents/Leaks				X	
Tank Inspection by Certified Inspector					X

TORQUE CHART (INCH/LB)

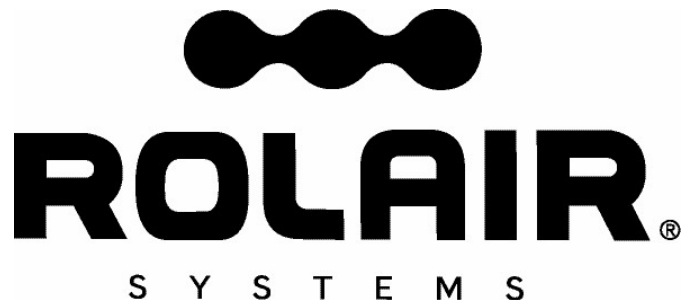
Pump Type	Direct Drive
Head Bolts	96
Cylinder Bolts	120

**PORTLAND
COMPRESSOR**
Experience You Can Depend On
800-542-8300

TROUBLESHOOTING

WARNING - Make sure you completely understand all of the safety warnings and operation of each system control component before attempting any maintenance or repair. Always drain the tank pressure completely, make sure the power cord is unplugged, and unit has time to cool before performing any maintenance or service operations.

PROBLEM	CAUSE	SOLUTION
Pump is slow to build pressure	Excessive leaks in system	Correct air leaks
	Blown gasket	Replace head gaskets
	Broken reed valve	Replace reed valves
	Obstructed intake filter	Clean or replace intake element
	Leaking regulator	Replace regulator
Excessive oil consumption	Too much oil in crankcase	Drain to proper level
	Improper weight of oil	Replace with proper oil
	Obstructed crankcase vent	Replace dipstick or oil fill plug/crankcase vent
	Dirty/plugged intake filter	Clean/replace intake filter
	Worn piston rings	Take unit in for service
Knocking Noise	Scored cylinder	Take unit in for service
	Internal pump problem	Take unit in for service
Overheating compressor	Poor ventilation	Relocate compressor
	Internal pump problem	Take unit in for service
Electric motor dead, will not even hum	Thermal overload tripped	Locate and push reset button
	Reset physically broken	Replace overload/reset
	Loose motor leads or electrical connection	Locate and correct loose electrical connection(s)
	Short in power cord	Replace power cord
Motor trips overload/reset button	Motor is starting/stopping excessively	Install constant speed or dual control kit
	Overload is defective/weak	Replace overload
	Improper gauge of extension cord	Use longer lengths of air hose or heavier cord
	Stripped or poorly tightened motor thru bolts	Retighten or replace stripped thru bolts
	Cracks in end bell or housing	Take unit in for service



Guarantee

Associate Engineering Corporation warrants that all ROLAIR compressors will be free of defects in material and workmanship for a period of twelve months from the date of initial retail purchase, or eighteen months from the date of manufacture, whichever may occur first.

Should any failure to conform to this warranty be reported to the company within said period, the company shall, upon purchaser shipping the compressor to our plant transportation prepaid, correct such nonconformity by suitable repair or, at its option, furnish a replacement part F.O.B. our plant.

Associate Engineering Corporation shall not be liable for any unauthorized repairs, replacements, adjustments to the compressors, or the costs of labor performed by the purchaser.

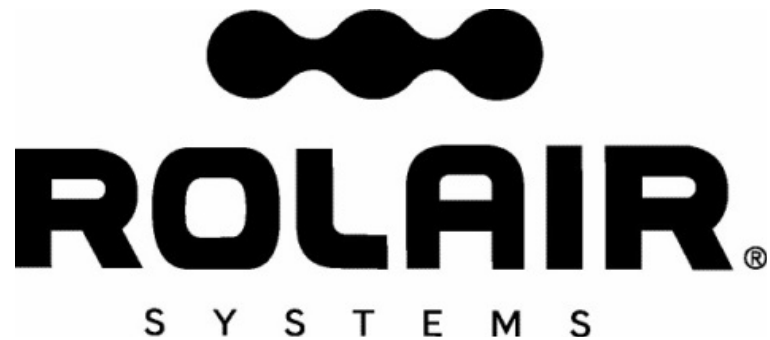
This warranty is expressly in lieu of all other warranties expressed, implied or statutory (including, but not limited to, warranties of merchantability and fitness for purpose) and of any other obligations, and/or liabilities on the part of Associate Engineering Corporation. Associate Engineering Corporation neither assumes nor authorizes any other person to assume for it any other obligations or liability in connection with or with respect to any compressor.

Associate Engineering Corporation shall in no event be liable neither for any consequential, incidental or special damages nor for the improper selection of any compressor for a particular application.

Quality

Associate Engineering Corporation is devoted to continual quality control and thorough research of the products we build. It is our creed to give you, the user, all of the experience and engineering available in the production of every piece of equipment we produce.

Our line covers the complete needs of today's varied air requirements. Rely on ROLAIR for all the newest and finest features that are available for the modern compressor.

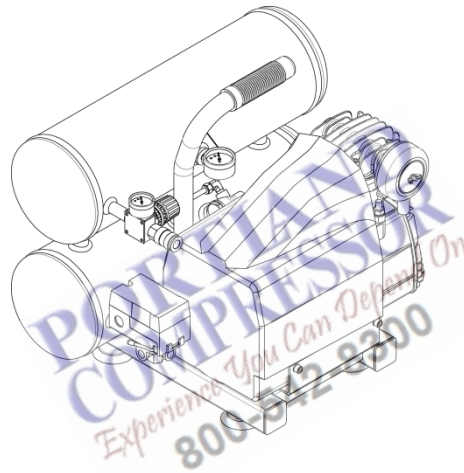


ROLAIR®

S Y S T E M S

VT20ST

MANUEL DE L'UTILISATEUR



PIÈCES

Les pièces de rechange d'origine ROLAIR sont vendues à l'échelle du pays par l'intermédiaire d'un réseau de concessionnaires et de centres de services agréés. Veuillez communiquer avec le concessionnaire où le compresseur d'air a été acheté ou le Service à la clientèle de l'usine pour de l'aide en matière de dépannage, obtenir des pièces ou localiser un représentant du service autorisé par ROLAIR®.

Pour commander des pièces de rechange :

1. Donner le numéro de modèle du compresseur
2. Donner le numéro de série du compresseur
3. Nom de la pièce
4. Numéro de pièce
5. Quantité requise

DOSSIER D'INFORMATION PERTINENTE

Consigner ici le modèle et le numéro de série de votre nouveau compresseur d'air. Vous économiserez temps et argent en incluant cette information de référence au moment d'une demande de révision ou de pièces de rechange.

Lieu et date de l'achat		Volts
Modèle		Hz
N° de série		HP

TABLE DES MATIÈRES

Introduction et définitions des avertissements de sécurité	17
Consignes de sécurité	18-22
Identification des commandes du système	23-24
Fiche de contrôle pour le prédémarrage	24-25
Spécifications	25
Fonctionnement	25-26
Maintenance	27-28
Dépannage	29
Garantie	30

INTRODUCTION

Merci d'avoir acheté ce nouveau compresseur ROLAIR!

Avec plus de 50 ans d'expérience en fabrication de compresseurs ROLAIR spécialement conçus pour les professionnels, Associate Engineering Corporation s'est acquise la réputation de fournir un produit de grande qualité et fiabilité. Nous nous sommes engagés à poursuivre cette tradition en analysant les besoins changeants et les exigences rigoureuses de votre secteur d'activité et en nous y adaptant. Vous pouvez compter sur ROLAIR parce que nos appareils sont construits pour durer.

Ce manuel a été élaboré à l'intention de l'opérateur. Ne pas utiliser ou permettre à quiconque d'utiliser le compresseur d'air jusqu'à ce que ce manuel soit lu et les consignes de sécurité/fonctionnement comprises. En lisant et en suivant les consignes contenues dans ce manuel, le nouveau compresseur d'air offrira des années de service sans problème. Pour des questions supplémentaires au sujet de la sécurité et du fonctionnement, veuillez communiquer avec le distributeur ou notre service à la clientèle. Ne pas enlever ou peindre les étiquettes d'avertissement apposées au compresseur. Si une étiquette de danger manque ou est illisible, n'utilisez plus le compresseur et demandez-nous une étiquette de rechange gratuite (1-800-310-3573).

Définitions – avertissements de sécurité

Des symboles de sécurité sont utilisés dans ce manuel pour vous signaler les situations de danger réel ou potentiel. Les définitions qui suivent décrivent le niveau de gravité de chaque mot d'avertissement.



DANGER : Indique une situation éminemment dangereuse qui, si elle n'est pas évitée, ENTRAÎNERA la mort ou une blessure grave.



AVERTISSEMENT : Indique une situation potentiellement dangereuse qui, si elle n'est pas évitée, POURRAIT entraîner la mort ou une blessure grave.



MISE EN GARDE : Indique une situation de danger potentiel qui, si on ne l'évite pas, PEUT entraîner des blessures légères ou moyennes ou des dégâts matériels au compresseur d'air ou autre.

⚠️ AVERTISSEMENT: Ne faites pas démarrer, n'utilisez ni n'effectuez aucun entretien sur cette machine sans avoir d'abord lu et bien compris son mode d'emploi. Sinon vous pourriez vous exposer à des blessures corporelles ou des dégâts matériels. Pour toute question, appelez-nous sans frais au 1-800-310-3573.

⚠️ AVERTISSEMENT: CONTIENT DU PLOMB. Peut être nocif s'il est ingéré ou mâché. Peut générer de la poussière contenant du plomb. Se laver les mains après usage. Garder hors de la portée des enfants.

⚠️ AVERTISSEMENT: Ce produit peut vous exposer à des agents chimiques, y compris le plomb identifiés par l'État de Californie comme pouvant causer le cancer et des malformations congénitales ou autres troubles de l'appareil reproducteur. Pour de plus amples informations, prière de consulter www.P65Warnings.ca.gov.

CONSERVEZ CES INSTRUCTIONS!



⚠️ DANGER: RISQUE D'EXPLOSION OU D'INCENDIE

CE QUI PEUT ARRIVER

COMMENT L'ÉVITER

- Des composants électriques dans le moteur et dans le pressostat vont produire des étincelles. Ceci est normal. Si des étincelles électriques du compresseur entrent en contact avec des vapeurs inflammables, elles peuvent s'enflammer et causer un incendie ou une explosion.

- Utilisez toujours le compresseur dans un endroit bien aéré, loin de toutes vapeurs, liquides, peinture, essence inflammables ou tout autre matériau combustible.
- Toujours placer le compresseur à au moins 6 m (20 pi) de l'aire de travail en cas de pulvérisation de matières inflammables.
- Entrez les matières inflammables dans un endroit sûr, loin du compresseur.

- Une aération inadéquate ou une obstruction des ouvertures de ventilation des compresseurs provoquera une surchauffe importante voire un incendie.

- Ne placez jamais d'objets sur ou contre un compresseur d'air.
- Faites toujours fonctionner le compresseur d'air à une distance d'au moins 45 cm (18 po) d'un mur ou d'un autre obstacle.
- Veillez à ce que l'endroit soit toujours propre, sec et bien aéré.

- Certains compresseurs présentant des fuites au niveau de l'unité ou du système et laissés sans surveillance pourraient démarrer à l'improviste et de manière répétée, ce qui pourrait provoquer une surchauffe, un incendie, ainsi que des blessures corporelles ou des dégâts matériels.

- Surveillez toujours le compresseur lorsqu'il fonctionne.
- Éteignez ou débranchez toujours le compresseur lorsqu'il n'est pas utilisé.

- Il y a risque d'incendie si des vapeurs ou des gaz déversés entrent en contact avec des parties brûlantes du moteur, des cigarettes allumées ou d'autres sources de feu.

- Ne jamais tenter de remplir le réservoir d'essence lorsque le moteur est chaud ou en marche.
- Ajoutez le carburant à l'extérieur dans un endroit bien aéré.
- Ne pas remplir le réservoir d'essence près de cigarettes allumées ou d'autres sources d'inflammation.



⚠️ DANGER: RISQUES POUR LA RESPIRATION (ASPHYXIE)

CE QUI PEUT ARRIVER

COMMENT L'ÉVITER

- L'air provenant du compresseur n'est pas sain à respirer et peut contenir du monoxyde de carbone, des vapeurs toxiques ou des particules solides. L'inhalation d'air comprimé provenant du compresseur d'air peut entraîner des blessures graves ou mortelles.

- N'inhalez jamais d'air comprimé provenant directement de la pompe, du réservoir, du récepteur ni d'un appareil de respiration raccordé au compresseur d'air.
- Le compresseur n'est pas muni de filtres ni d'équipement de sécurité en ligne convenant à la consommation humaine. N'utilisez pas l'air fourni pour la respiration.

- Les substances pulvérisées tels que la peinture, le stuc, les insecticides, solvants, etc. peuvent contenir des vapeurs nocives et des poisons.

- Ne faites fonctionner le compresseur et ne travaillez que dans un endroit bien aéré. Lisez et respectez les consignes de sécurité indiquées sur l'étiquette ou sur les fiches signalétiques des substances que vous pulvériserez. Utilisez toujours du matériel de protection agréé conçu pour votre application spécifique.

- En cas de compresseurs au gaz - les gaz d'échappement du moteur contiennent du monoxyde de carbone inodore et incolore. L'inhalation de ces vapeurs peut causer des blessures graves ou mortelles.

- Ne faites fonctionner les compresseurs que dans des endroits bien aérés. Éviter d'inhaler les fumées d'échappement du moteur et ne jamais faire fonctionner un petit moteur à essence dans un espace fermé ou confiné sans une ventilation adéquate.



⚠️ AVERTISSEMENT: RISQUE D'ÉCLATEMENT

LE RÉSERVOIR D’AIR: Les réservoirs d'air n'ont pas une durée illimitée et doivent être inspectés tous les ans afin de garantir que leur utilisation est sûre. Pour trouver un inspecteur d'appareils sous pression, consultez l'annuaire à la rubrique gouvernement, section Division du Travail et des Industries, ou appelez-nous gratuitement au 1-800-310-3573 pour en savoir plus.

Les conditions suivantes peuvent fragiliser le réservoir d'air et provoquer une violente explosion:

CE QUI PEUT ARRIVER	COMMENT L'ÉVITER
<ul style="list-style-type: none"> Le fait de ne pas éliminer la condensation d'eau des réservoirs d'air de manière appropriée et périodique peut provoquer de la rouille et l'amincissement de leur paroi en acier, ce qui présenterait le risque d'une violente explosion du réservoir. Toute modification, altération ou tentative de réparer le réservoir d'air peut provoquer une violente explosion du réservoir d'air. 	<ul style="list-style-type: none"> Vidangez le réservoir tous les jours ou toutes les 4 heures d'utilisation. En cas de fuite, remplacez immédiatement l'ancien réservoir par un neuf ou par un nouveau compresseur intégral. Ne percez, cabossez, soudez, rapiéciez ni ne modifiez jamais le réservoir d'air ou ses pièces de quelque façon. Si votre réservoir semble présenter l'une de ces conditions ou si l'on a tenté de le modifier de quelque manière, cessez de l'utiliser et remplacez-le immédiatement. Ne tentez jamais de réparer un réservoir d'air abîmé ou qui fuit. Remplacez-le immédiatement par un réservoir neuf.
<ul style="list-style-type: none"> Toute modification non autorisée de la soupape de sécurité, du pressostat, de la soupape directrice de décompression ou de tout autre élément contrôlant la pression du réservoir d'air peut provoquer une violente explosion du réservoir d'air. 	<ul style="list-style-type: none"> Le compresseur d'air est conçu pour fonctionner en toute sécurité et pour résister à la pression spécifique réglée en usine. Ne réajustez et ne substituez jamais aucune pièce sur des composants qui contrôlent la pression du réservoir d'air ou les pressions de service réglées en usine. Ne pas transformer les paramètres de la pression de service établis en usine. Avant de commencer et la pression du réservoir d'air ayant été mise à zéro, tirez l'anneau sur la soupape de sécurité pour vous assurer qu'il se déplace librement. Ne jamais faire fonctionner sans une soupape de sûreté approuvée par l'usine.

Pièces et accessoires:

<ul style="list-style-type: none"> Le dépassement de la capacité de pression d'outils pneumatiques, de pistolets de pulvérisation, d'accessoires, de pneus ou d'autres accessoires gonflables peut les faire exploser ou voler en éclats. 	<ul style="list-style-type: none"> Ne pas utiliser d'outils ni d'accessoires pneumatiques avant d'avoir lu le mode d'emploi afin de déterminer la capacité de pression maximale de sécurité. Ne jamais dépasser les puissances nominales admissibles, maximales, du fabricant. Ne gonflez jamais de petits objets de faible pression comme des jouets ou des ballons pour enfants à l'aide du compresseur.
--	---



⚠ DANGER: RISQUES DE BLESSURES OU DE DOMMAGES PENDANT LE TRANSPORT OU L'ENTREPOSAGE

CE QUI PEUT ARRIVER	COMMENT L'ÉVITER
<ul style="list-style-type: none"> L'huile du compresseur peut fuir ou se déverser et ainsi présenter un risque d'incendie ou un danger d'ordre respiratoire; des blessures graves ou mortelles peuvent en résulter. Les fuites d'huile peuvent endommager les moquettes, la peinture ou d'autres surfaces. 	<ul style="list-style-type: none"> Veillez à toujours maintenir le compresseur à niveau et à ne jamais le coucher sur le côté. Lors du transport, placez toujours le compresseur sur un tapis de protection pour empêcher tout dégât en cas de fuite. Dès votre arrivée à destination, sortez immédiatement le compresseur du véhicule. En cas de fuite d'huile, suivez toutes les consignes locales de sécurité en matière de nettoyage des matières dangereuses.



⚠ AVERTISSEMENT: RISQUES DE DÉCHARGE ÉLECTRIQUE

CE QUI PEUT ARRIVER	COMMENT L'ÉVITER
<ul style="list-style-type: none"> Mise à la terre: Le fait de ne pas fournir au compresseur une mise à la terre adéquate peut entraîner des blessures graves ou mortelles par électrocution. 	<ul style="list-style-type: none"> Assurez-vous toujours que le circuit électrique auquel est relié le compresseur fournit une mise à la terre adéquate, une tension adéquate et des fusibles adéquats. En cas de doute ou si vous avez des questions à propos de la mise à la terre, de la tension ou des fusibles, veuillez nous appeler

gratuitement au 1-800-310-3573.

- Le compresseur d'air fonctionne à l'électricité. Comme tout dispositif alimenté de manière électrique, s'il n'est pas utilisé correctement, il peut provoquer une décharge électrique.
- Des réparations effectuées par des personnes non autorisées peuvent entraîner des blessures graves ou même mortelles.
- Ne faites jamais fonctionner le compresseur à l'extérieur en cas de pluie, de neige ou par temps humide.
- Ne laissez jamais traîner le cordon électrique dans l'eau.
- Ne faites jamais fonctionner le compresseur si le cordon électrique est endommagé ou si ses couvercles de protection sont endommagés ou absents.
- Ne touchez jamais la prise avec des mains mouillées.
- Ne débranchez jamais la prise en tirant sur le cordon.
- Toutes réparations électriques et opérations de câblage effectuées sur ce compresseur ne doivent être entreprises que par un membre du personnel d'entretien agréé par ROLAIR et conformément à tous les codes électriques nationaux et locaux.

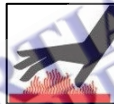


⚠ AVERTISSEMENT: RISQUES D'ACCIDENTS LIÉS À LA PROJECTION D'OBJETS

CE QUI PEUT ARRIVER

COMMENT L'ÉVITER

- Des dégâts et blessures graves peuvent se produire en cas de débris propulsés à grande vitesse par le flux d'air comprimé.
- Portez toujours un équipement de sécurité homologué : lunettes de protection ANSI Z87.1 (CAN / CSA Z94.3) avec écrans latéraux lors de toute utilisation du compresseur.
- Ne dirigez jamais le flux d'air, la buse ou le pulvérisateur vers vous-même, une autre personne ni vers un animal.
- Éteignez toujours le compresseur et déchargez complètement la pression du réservoir avant de procéder à l'entretien ou de fixer des accessoires ou le tuyau d'air.



⚠ AVERTISSEMENT: RISQUES DE SURFACE CHAUDE

CE QUI PEUT ARRIVER

COMMENT L'ÉVITER

- De graves brûlures peuvent résulter d'un contact avec certaines parties métalliques comme le moteur, la pompe, les pièces en cuivre ou les canalisations d'évacuation tressées. Ces pièces chauffent durant le fonctionnement et restent chaudes pendant longtemps, même une fois le compresseur arrêté.
- Ne touchez jamais les parties métalliques exposées durant le fonctionnement ni bien après l'arrêt.
- Ne touchez pas les carénages et n'entreprenez aucun entretien avant le refroidissement complet de l'appareil.



⚠ AVERTISSEMENT: RISQUE ASSOCIÉ AUX PIÈCES MOBILES

CE QUI PEUT ARRIVER

COMMENT L'ÉVITER

- Des blessures graves ou mortelles peuvent survenir en cas de contact de pièces mobiles (courroies, roues, poulies, ventilateurs) avec vous ou vos vêtements.
- Avant l'utilisation, assurez-vous toujours que tous les dispositifs de protection et les couvercles sont en bon état, et ne faites jamais fonctionner le compresseur si des protections ou des couvercles ont été enlevés ou endommagés.
- Gardez toujours vos cheveux, bijoux, vêtements et gants éloignés des pièces mobiles, pour éviter qu'ils ne s'y coincent.
- Il est commun que les bouches d'aération recouvrent des pièces en mouvement, c'est pourquoi elles sont également à éviter.
- Un compresseur d'air électrique peut redémarrer à tout moment.
- Débranchez toujours le compresseur lorsqu'il n'est pas en

moment quand il est branché, et un démarrage inopiné peut entraîner des blessures graves ou mortelles ou des dégâts matériels.

- Essayer de faire fonctionner le compresseur avec des pièces, dispositifs de protection, carénages ou couvercles endommagés ou manquants risque de vous mettre en contact avec des pièces en mouvement et d'entraîner des blessures graves ou mortelles.

marche.

- Avant tout entretien ou toute réparation, éliminez toujours et entièrement la pression du réservoir d'air.
- Ne laissez jamais un enfant ou un adolescent aux commandes du compresseur d'air.
- Toute réparation du compresseur d'air doit être faite exclusivement par un membre du personnel d'usine agréé par ROLAIR.



⚠ AVERTISSEMENT: RISQUES LIÉS AU FAIT DE SOULEVER

CE QUI PEUT ARRIVER

COMMENT L'ÉVITER

- Des blessures graves peuvent survenir par suite du levage d'un objet trop lourd.

- Faites-vous toujours aider d'autres personnes si vous devez soulever un objet trop lourd pour vous.



⚠ AVERTISSEMENT: RISQUES LIÉS AUX CHUTES

CE QUI PEUT ARRIVER

COMMENT L'ÉVITER

- Un compresseur peut vibrer et se déplacer durant son fonctionnement normal, ce qui peut le faire tomber d'une table, d'un établi, d'un toit, ou d'une autre plate-forme et ainsi causer des dommages au compresseur, des dégâts matériels, ou encore des blessures graves ou mortelles à toute personne se trouvant à proximité.

- Veillez à toujours utiliser le compresseur d'air en position stable et sécurisée pour empêcher tout déplacement accidentel de l'appareil. Ne le faites jamais fonctionner sur un toit ou à partir d'une autre position surélevée. Utilisez le tuyau d'air pour atteindre les endroits en hauteur.



⚠ AVERTISSEMENT: RISQUES LIÉS AU BRUIT

CE QUI PEUT ARRIVER

COMMENT L'ÉVITER

- Dans certaines conditions et selon la durée d'utilisation, le bruit émis par ce produit peut contribuer à causer une perte auditive.

- Portez toujours un équipement de sécurité homologué : protections auditives ANSI S12.6 (S3.19).



⚠ AVERTISSEMENT: RISQUES LIÉS À UN FONCTIONNEMENT DANGEREUX

CE QUI PEUT ARRIVER

COMMENT L'ÉVITER

- Le fait d'utiliser le compresseur d'air de manière dangereuse peut entraîner pour vous ou pour autrui des blessures graves ou même mortelles.

- Lisez et comprenez bien toutes les instructions contenues dans le mode d'emploi.
- Sachez comment cesser de faire fonctionner le compresseur à tout moment.
- Ne pas faire fonctionner jusqu'à ce que l'appareil et tous les contrôles vous soient familiers.
- Ne faites pas fonctionner le compresseur si vous êtes fatigué, sous l'influence d'alcool ou de drogues ou dans tout autre état susceptible d'altérer votre jugement.
- Soyez alerte tant que vous faites fonctionner le compresseur et soyez très attentif à votre tâche.





MISE EN GARDE: RISQUE DE DOMMAGE AU COMPRESSEUR D'AIR OU À LA PROPRIÉTÉ

CE QUI PEUT ARRIVER

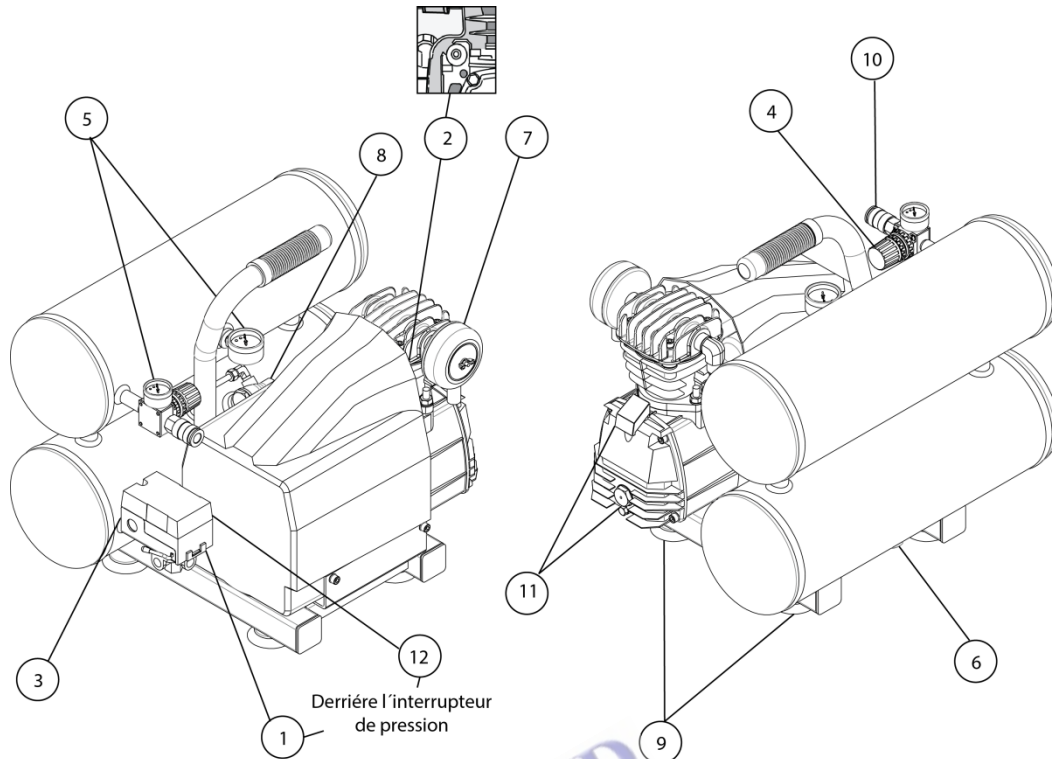
COMMENT L'ÉVITER

- | CE QUI PEUT ARRIVER | COMMENT L'ÉVITER |
|---|---|
| <ul style="list-style-type: none">Le fait de transporter ou de faire fonctionner le compresseur de manière inadéquate peut entraîner d'importantes dépenses de réparations. | <ul style="list-style-type: none">Vérifier les niveaux d'huile chaque jour et maintenir les niveaux d'huile à un niveau approprié.Faites toujours fonctionner le compresseur dans une position sûre et à niveau.Ne pas faire fonctionner sans filtre à air ou dans un environnement corrosif. |

EN CAS DE COMPRESSEURS D'AIR À MOTEUR À ESSENCE : Veuillez noter que votre compresseur alimenté à l'essence peut ne pas être équipé d'un silencieux pare-étincelles. Si le compresseur est utilisé à proximité de matériaux inflammables, de cultures agricoles, de broussailles, d'une forêt ou de prairies, il sera nécessaire d'installer un pare-étincelles approuvé qui devra être entretenu et en bon état de fonctionnement. Un pare-étincelles homologué est exigé par la loi dans l'État de la Californie, conformément aux dispositions 4442 et 4443 de l'article 130050 des statuts du code des ressources publiques de la Californie. Vérifiez vos réglementations locales et nationales afin de déterminer si un pare-étincelles est nécessaire dans votre zone d'opération.

**PORTLAND
COMPRESSOR**
Experience You Can Depend On
800-542-8300

COMMANDES DU SYSTÈME



(1) SOUPAPE DE SÛRETÉ ET DE DÉCHARGE Chaque compresseur d'air ROLAIR est muni d'une soupape de sûreté et de décharge qui est conçue pour refouler la pression du réservoir à un réglage prédéterminé lorsque se produit une défaillance du système. Vérifier quotidiennement la soupape de sûreté en tirant sur l'anneau uniquement lorsque la pression du réservoir est complètement purgée. La soupape à ressort doit se déplacer librement dans le corps de la soupape de sûreté. Une soupape de sécurité défectueuse peut permettre une surpression dans le réservoir d'air qui peut alors se briser ou exploser.



Ne pas modifier ni tenter de retirer la soupape de sûreté.

(2) BOUTON DE RÉINITIALISATION DE SURCHARGE/MOTEUR Chaque compresseur d'air électrique ROLAIR est muni d'une protection manuelle contre la surcharge. Si le moteur surchauffe, le capteur de surcharge déclenchera le bouton de réinitialisation pour protéger le moteur. Si ceci se produit, veuillez laisser le moteur refroidir pendant environ cinq minutes. Localiser le bouton de réinitialisation et appuyer dessus. L'utilisation d'une rallonge de calibre insuffisant ou qui est trop longue pourra être cause de surchauffe. Réévaluer la source d'alimentation, le calibre et la longueur de la rallonge utilisée. (Consulter le tableau à la Page 25)

(3) PRESSOSTAT La plupart des compresseurs d'air électriques sont munis d'un pressostat. Toujours s'assurer que le levier est à la position « Off » (arrêt) avant de brancher le cordon d'alimentation. En déplaçant le levier à la position « On/Auto » (marche/automatique), le compresseur démarre et s'arrête automatiquement en fonction des paramètres du pressostat qui est généralement entre 95 et 125 lb/po². Ne pas tenter d'arrêter le compresseur en débranchant le cordon d'alimentation. Pour arrêter, déplacer simplement le levier à la position « Off » (arrêt). Le levier active une soupape de refoulement qui libère la pression à la tête et permet au compresseur de redémarrer sans charge lors de l'utilisation suivante.

(4) RÉGULATEUR – PRESSION DE FONCTIONNEMENT Pour régler la pression de sortie/de la conduite, lever simplement le bouton de réglage du régulateur et le tourner dans le sens horaire pour augmenter la pression de fonctionnement ou dans le sens antihoraire pour la diminuer. Enfoncer le bouton de réglage vers le bas pour verrouiller le paramètre. Ne jamais dépasser les puissances nominales admissibles, maximales, du fabricant et de l'outil qui est utilisé ou de l'objet qui est gonflé.

(5) MANOMÈTRE(S) En règle générale, la plupart des compresseurs sont munis d'une jauge pour mesurer la pression du réservoir ou de stockage et une autre jauge fixée au régulateur qui indique la pression de sortie ou de fonctionnement.

(6) SOUPAPE(S) DE PURGE Une ou plusieurs soupape(s) de purge est ou sont installée(s) pour évacuer, quotidiennement, l'humidité du ou des réservoir(s) de stockage du compresseur. Ouvrir les soupapes de purge lentement et avec précaution pour éviter que le tartre, la rouille, les débris soient projetés à une vitesse élevée.

(7) FILTRE D'ADMISSION D'AIR Des filtres d'admission d'air sont installés pour empêcher les corps étrangers de pénétrer dans le moteur de la pompe ou du compresseur. Vérifier les éléments d'admission sur une base régulière et soit nettoyer ou remplacer, le cas échéant. De l'eau tiède savonneuse ou de l'air comprimé de faible pression pourra être utilisé(e) pour nettoyer les éléments. Vérifier les bouteilles d'admission ou les éléments du coude pour la présence de fissures ou de joints brisés et les remplacer si des problèmes structurels sont détectés.

COMMANDES DU SYSTÈME (suite)

(8) SOUPAPE ANTIRETOUR Chaque compresseur d'air ROLAIR est muni d'une soupape antiretour pour retenir et maintenir la pression du réservoir une fois que le paramètre de pression maximale de la soupape pilote ou pressostat sera atteinte. La soupape antiretour fonctionne en conjonction avec la soupape de sûreté du pressostat pour fournir un démarrage sans charge pour le système du compresseur. Un jet d'air rapide s'échappant de la soupape de sûreté du pressostat une fois que l'appareil électrique aura atteint le paramètre de pression maximale, indiquera que la soupape antiretour fonctionne de façon appropriée. Si le compresseur a une fuite inexplicable après l'arrêt, qui ne peut pas être attribuée à une autre cause, la soupape antiretour pourra être révisée/remplacée.

(9) AMORTISSEURS ANTIVIBRATION Les coussinets en caoutchouc installés sous chaque ensemble réservoir de compresseur portable ROLAIR sont très importants pour le bon fonctionnement du compresseur d'air. Ils offrent une protection contre les vibrations qui pourront entraîner des dommages à de nombreux composants du système si rien n'est fait.

(10) RACCORD RAPIDE Un raccord rapide universel ou triple est installé sur votre compresseur d'air. Introduire simplement une prise mâle de 1/4 po dans le coupleur pour attacher le raccord du flexible au coupleur. Relâcher toujours la pression dans le coupleur avant d'installer ou de retirer le flexible. Consulter les instructions du régulateur (no 4 ci-dessus). Tirer sur le collier pour retirer le flexible d'air une fois la pression relâchée.

(11) RENIFLARD/BOUCHON DE REMPLISSAGE DE L'HUILE Toutes les pompes des compresseurs d'air alternatifs sont munis d'un reniflard de carter pour libérer la pression qui est créée par la descente du piston dans le cylindre de la pompe. Nos compresseurs d'air à entraînement direct évacuent la pression du carter par les ports spéciaux dans la pîge. Nos appareils à entraînement par courroie évacuent la pression par le bouchon de remplissage de l'huile. Ne jamais faire fonctionner le compresseur d'air sans la pîge ou le bouchon de remplissage de l'huile.

(12) SOUPAPE DE SÛRETÉ DU PRESSOSTAT : La plupart des compresseurs d'air électriques avec un fonctionnement marche/arrêt classique sont munis d'une soupape de sûreté du pressostat. Cette soupape fonctionne en conjonction avec la soupape antiretour du réservoir afin de purger l'air comprimé piégé entre la pompe et la soupape après chaque cycle, permettant un redémarrage plus facile. Un sifflement d'air bref et audible à la fin de chaque cycle signifie que la soupape fonctionne correctement. Une fuite continue au niveau de la soupape de sûreté à la fin d'un cycle est signe d'un problème au niveau de la soupape antiretour. Une soupape de sûreté/antiretour qui ne fonctionne pas correctement peut entraîner une défaillance prématurée du joint et/ou du moteur.

FICHE DE CONTRÔLE POUR LE PRÉ-DÉMARRAGE

Lire attentivement le manuel de l'utilisateur. S'assurer de bien comprendre tous les avertissements de sécurité, les commandes du système et les consignes données avant de faire fonctionner ce compresseur d'air. Tous les efforts ont été déployés pour vous fournir l'information requise pour que vous obteniez de nombreuses années de service fiable et sans problème de votre nouveau compresseur d'air. Il incombe à l'utilisateur la responsabilité de faire fonctionner le compresseur d'air de façon appropriée. Pour obtenir une durée de vie la plus longue possible du compresseur d'air, toujours garder à l'esprit les consignes suivantes.

1. TOUJOURS FAIRE FONCTIONNER LE COMPRESSEUR DANS UNE POSITION DE NIVEAU

Toutes les pompes lubrifiées par injection comportent un balancier sur la bielle qui doit rester immergée dans le bain d'huile. Le fonctionnement à un angle de plus de 10 degrés entraînera le grippage de la pompe, annulant ainsi la garantie du produit.

2. TOUJOURS FAIRE FONCTIONNER DANS UN ENDROIT PROPRE, SEC ET BIEN VENTILÉ

Ne pas faire fonctionner sous la pluie ou dans des zones d'écoulement d'eau. Ne jamais faire fonctionner dans une zone où d'autres gaz, fumées ou vapeurs sont présent(e)s, pouvant créer une atmosphère explosive lorsque l'air sera comprimé. Ne pas faire fonctionner le compresseur dans un endroit clos.

3. VÉRIFIER LE NIVEAU D'HUILE CHAQUE JOUR ET CHANGER L'HUILE À DES INTERVALLES RÉGULIERS

Consulter la section de maintenance de ce manuel de l'utilisateur pour le type/poids d'huile approprié à utiliser et la fréquence à laquelle elle doit être changée. Vérifier le niveau d'huile chaque jour.

4. INSPECTER/NETTOYER/CHANGER LES ÉLÉMENTS D'ADMISSION SUR UNE BASE RÉGULIÈRE

L'ingestion de la saleté dans la pompe et le moteur est la principale cause d'une usure prématurée. Porter une attention particulière aux filtres d'aspiration. Vérifier les filtres d'admission chaque jour.

FICHE DE CONTRÔLE POUR LE PRÉ-DÉMARRAGE (suite)

5. UTILISER UN FLEXIBLE D'AIR PLUS LONG, DE DIAMÈTRE APPROPRIÉ, PLUTÔT QU'UNE RALLONGE

Si une rallonge doit être utilisée, veuillez consulter le tableau ci-dessous pour le calibre approprié et la longueur maximale pouvant être utilisés. L'utilisation d'un flexible d'air d'une dimension inappropriée entraînera également des pertes de charge par frottement qui pourraient affecter la performance des outils pneumatiques.

TABLEAU DES RALLONGES ÉLECTRIQUES		
Calibre de fil minimal		
Longueur de rallonge	Moteur 1/2 et 3/4 HP	Moteur 1, 1 1/2 et 2 HP
Jusqu'à 7,6 m (25 pi)	14 gal (64 L)	12 gal (54 L)
entre 7,6 et 15 m (25 et 50 pi)	12 gal (54 L)	10 gal (45 L)
entre 15 et 30 m (50 et 100 pi)	10 gal (45 L)	8 gal (36 L)

6. N'UTILISER AUCUN GÉNÉRATEUR COMME SOURCE D'ALIMENTATION

Les compresseurs d'air utilisent des moteurs à induction qui nécessitent un ampérage de 3 à 5 fois plus de courant pleine charge pour un démarrage approprié. La plupart des générateurs ne fourniront pas la puissance nécessaire pour démarrer de façon appropriée ce type de moteur électrique.

7. VÉRIFIER LA TENSION DES BOULONS ET DU MATÉRIEL SUR UNE BASE RÉGULIÈRE

L'utilisation de tout équipement avec les boulons et/ou raccords desserrés entraînera des vibrations excessives et la défaillance prématurée des éléments de commande du compresseur.

8. MAINTENIR EN BON ÉTAT LES COUSSINETS ANTIVIBRATION EN CAOUTCHOUC

Des vibrations excessives sont une cause importante de la défaillance prématurée du compresseur. Toujours maintenir en bon état les coussinets antivibration en caoutchouc situés sous l'ensemble réservoir. Le fonctionnement sans les coussinets antivibration annulera la garantie.

9. ÉVACUER L'HUMIDITÉ DES RÉSERVOIRS D'AIR CHAQUE JOUR

L'eau est un dérivé naturel de l'air comprimé. Évacuer le(s) réservoir(s) d'air après chaque utilisation pour prévenir contre la corrosion du réservoir interne. Garder fermées les soupapes de purge en cas de rangement du compresseur pour une longue période de temps.

SPÉCIFICATIONS

VT20ST			
Cheval-vapeur	2 HP	Capacité du réservoir	20 litres
Tension	120 V	Durée de pompage (0 à 125 psi)	1:23
Hertz	60 hZ	Durée de récupération (95 à 125 psi)	:20
Phase	1	Déplacement PCM	5.5
Régime (tr/min) du moteur	1700	Pieds cubes délivrés à 40 psi	4.8
Étage(s)	1	Pieds cubes délivrés à 90 psi	4.2
Intensité de courant électrique	13.5	Dimensions (LxWxH cm)	49x41x44
Protection thermique	Manuel	Poids	28.12 kg
Paramètres d'usine	95 à 125 psi	Niveau de bruit	74 dBA
Niveau d'huile	0,295 litres	Cycle d'utilisation	Continu

FONCTIONNEMENT

AVERTISSEMENT — La sécurité et le bien-être des autres pendant le fonctionnement de chaque compresseur ROLAIR est notre principale préoccupation. Ne pas utiliser ou permettre à quiconque de faire fonctionner le compresseur d'air jusqu'à ce que l'information contenue dans ce manuel soit lue et parfaitement comprise. Pour toute question supplémentaire à propos de l'utilisation appropriée du compresseur d'air, veuillez communiquer avec le distributeur ou notre service à la clientèle.

FONCTIONNEMENT (suite)

CONDITIONS HUMIDES: N'utilisez pas le compresseur dans des zones humides ou mouillées, ni après un emploi l'ayant exposé à la

pluie, au verglas, à la glace, à la neige ou à tout autre type d'humidité. Ne pas respecter cette mise en garde peut entraîner une décharge électrique ou un dépôt de rouille ou de glace sur des pièces importantes du compresseur, rendant son emploi plus dangereux. Utilisez ou rangez toujours le compresseur dans un endroit propre, sec et bien aéré.

ÉLECTRIQUE À ENTRAÎNEMENT DIRECT

Établir que le compresseur d'air est prêt à fonctionner en passant en revue les sujets et l'information fournie à la Section « Fiche de contrôle du pré-démarrage » de ce manuel. Ouvrir lentement la purge du réservoir pour évacuer toute présence de condensation qui se serait accumulée et garder la purge ouverte pendant quelques secondes après le démarrage pour faire réchauffer l'ensemble moteur/pompe. S'assurer que le levier de commande du pressostat est à la position « Off » (arrêt) avant de brancher le cordon d'alimentation dans une prise mise à la terre de façon appropriée. Déplacer le levier du pressostat à la position « On/Auto » (marche/automatique) pour accumuler la pression et maintenir automatiquement le paramètre pression haut du réservoir. Tourner le bouton de réglage du régulateur dans le sens antihoraire jusqu'à ce que la jauge indique 0 lb/po² avant de fixer le flexible d'air et l'accessoire. Régler la pression de fonctionnement en tournant le bouton de réglage du régulateur dans le sens horaire, puis verrouiller la pression de fonctionnement selon les spécifications fournies par le fabricant de l'outil. Toujours utiliser le levier du pressostat sur « On(Auto)/Off » (marche (automatique)/arrêt) pour démarrer ou arrêter le compresseur d'air.

Ne jamais arrêter le compresseur en le débranchant de la source d'alimentation. Ranger le compresseur dans un endroit chaud/sec et effectuer l'activité de maintenance, tel qu'il est indiqué dans le manuel.

CYCLE D'UTILISATION :

-Plusieurs appareils à entraînement direct ROLAIR comme les modèles FC1500HBP2, FC1500HS3 et JC10 sont conçus pour un cycle de service de 70 %. S'ils sont soumis à un fonctionnement en continu, le système de protection contre les surcharges internes va arrêter le moteur et ne va permettre le redémarrage que lorsqu'un refroidissement suffisant se sera produit.

TEMPÉRATURES DE GEL:

Il est indispensable de bien conserver et réchauffer les liquides avant tout démarrage ou toute utilisation du compresseur d'air par temps de gel. L'eau, sous-produit naturel de l'air comprimé, peut se transformer en glace et éventuellement bloquer la circulation d'air dans, à travers ou devant s'échapper de la pompe et du ou des réservoirs ou des canalisations d'air. Videz les réservoirs et canalisations d'air après toute utilisation et, lorsque le compresseur n'est pas utilisé, laissez les robinets de vidange ouverts.

Si une partie ou la totalité du compresseur a pu être gelée, il faut le dégeler entièrement avant d'essayer de le faire démarrer. Augmentez progressivement la température au-dessus du point de congélation et vidangez toute l'humidité pouvant se trouver dans les réservoirs, les canalisations et les séparateurs d'eau.

Meilleures pratiques par temps froid

- N'essayez pas de faire démarrer un compresseur gelé ; dégelez-le entièrement avant.
- Rangez le compresseur d'air dans un endroit propre et sec et qui restera constamment au-dessus du point de congélation.
- Remplacez l'huile de la pompe et du moteur par une huile qui convient à l'hiver (voir le manuel du propriétaire).
- Avant tout démarrage, ouvrez le ou les robinets de réservoir et laissez fonctionner le compresseur pendant 45 à 60 secondes avec le ou les robinets ouverts avant de le ou de les fermer et de faire augmenter la pression dans le réservoir.
- Il peut aussi être bon d'utiliser un lubrifiant contenant du liquide dégivrants afin d'éviter que les canalisations d'air ne givrent ou ne se bloquent en raison de la glace.
- Pour toute autre question à ce sujet, contactez votre représentant ROLAIR ou notre bureau de service à la clientèle.

UTILISATION À HAUTE ALTITUDE :

Les pompes de compresseurs d'air produisent moins de pi³/min à des altitudes plus élevées en raison d'une diminution de la pression atmosphérique. En règle générale, la capacité diminue d'environ 3 % pour chaque augmentation de l'altitude de 305 m (1000 pi). De plus, étant donné que l'air à plus haute altitude est moins dense et ne refroidit pas autant, les moteurs électriques ne peuvent pas être soumis à la totalité de l'intensité électrique indiquée sur la plaque signalétique et peuvent devoir être mis à niveau afin d'éviter une surchauffe répétée.

Les compresseurs à entraînement direct ou à main qui sont construits avec des soupapes de démarrages à froid peuvent avoir besoin d'être modifiés lorsqu'ils sont utilisés à des altitudes plus élevées. Communiquez avec notre service à la clientèle en usine si votre compresseur d'air (qui fonctionne habituellement bien) ne fonctionne pas adéquatement à des altitudes plus élevées.

MAINTENANCE

Votre nouveau compresseur correspond à ce qui se fait de mieux en matière d'ingénierie et fabrication. Cependant, même la meilleure des machines nécessite une maintenance périodique. Veuillez respecter le calendrier de maintenance et tenir compte des suggestions qui suivent pour maintenir le compresseur dans un état optimal.

REMARQUE : Toujours débrancher ou éteindre le compresseur et purger les réservoirs d'air complètement avant de tenter toute activité de maintenance. Attendre que le compresseur refroidisse avant toute révision.

IMPORTANT : Remplacer l'huile après les 50 premières heures de fonctionnement

CONSEILS DE MAINTENANCE :

- 1) Utiliser une solution de savon/eau pour vérifier les fuites d'air.
- 2) Ne jamais nettoyer les filtres à l'aide d'un solvant inflammable.
- 3) Resserrer au couple les boulons de la culasse seulement après que la pompe aura refroidi.
- 4) Ne jamais souder le(s) réservoir(s) d'air.
- 5) Utiliser la chaleur pour desserrer le joint Loctite sur les soupapes de purge, les poulies et les volants du moteur avant de les retirer.

LUBRIFICATION :

Avant chaque utilisation, prendre l'habitude de vérifier le niveau d'huile de la pompe. La plupart des compresseurs d'air à entraînement direct sont munis d'une pigne avec des marques de moulage qui indiquent les niveaux minimal et maximal acceptables de l'huile. Toujours maintenir le niveau d'huile à la marque maximale de la pigne ou aux 2/3.

Ne pas faire fonctionner la pompe avec une quantité insuffisante ou excessive d'huile. Le coût des défaillances qui se produisent en raison d'un niveau d'huile incorrect ne sera pas couvert par la garantie.

N'UTILISER AUCUNE HUILE DÉTERGENTE!

REMARQUE : L'appareil doit être de niveau lorsqu'il est en fonctionnement

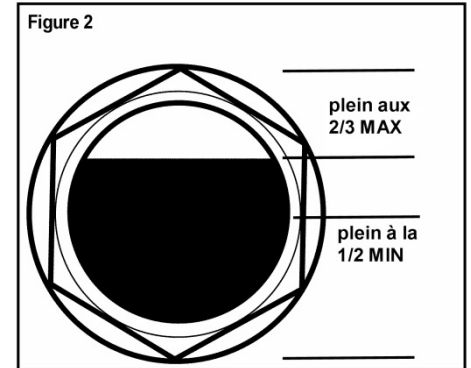
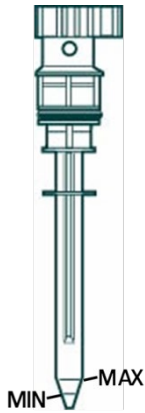
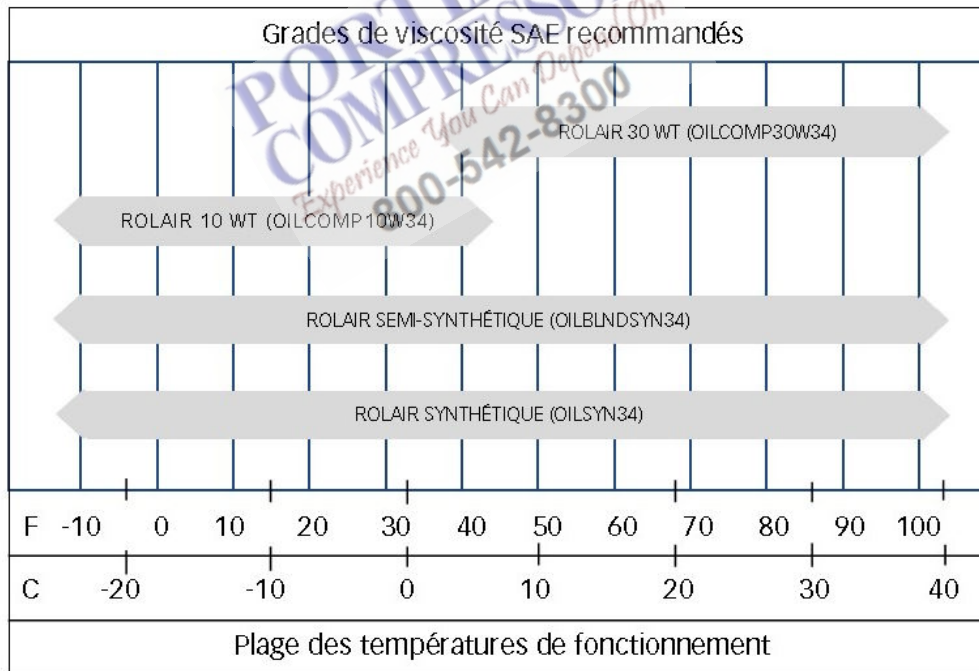


TABLEAU DES TYPES D'HUILE



- Les huiles standard 10 WT ou 30 WT de ROLAIR devraient être vidangées toutes les 200 à 400 heures après la période de rodage
- L'huile semi-synthétique ROLAIR devrait être vidangée tous les 1000 à 2000 heures
- L'huile synthétique ROLAIR devrait être vidangée tous les 2000 à 4000 heures

MAINTENANCE (suite)

PROGRAMME DE MAINTENANCE

Recommandation	Quotidienne	Hebdomadaire	Mensuelle	Trimestrielle	Annuellement
----------------	-------------	--------------	-----------	---------------	--------------

Vérifier le niveau d'huile	X				
Évacuer l'humidité du ou des réservoir(s)	X				
Inspecter le(s) filtre(s) à air	X				
Vérifier la présence de bruit ou de vibration inhabituel(le)	X				
Inspecter le couvre-courroie	X				
Vérifier la présence de fuite d'air ou d'huile	X				
Nettoyer l'extérieur du compresseur d'air		X			
Vérifier la condition des coussinets antivibration		X			
Serrer/Resserrer au couple les boulons		X			
Vérifier la tension de la courroie		X			
Vérifier le fonctionnement de la soupape de sûreté		X			
Changer l'huile du compresseur			X		
Nettoyer/Remplacer le filtre à air			X		
Effectuer l'essai de temps de remplissage			X		
Vérifier le fonctionnement des commandes du système				X	
Vérifier la présence de bosses/fuites sur les réservoirs d'air				X	
Inspection du réservoir par un inspecteur certifié					X

TABLEAU DES COUPLES (POUCE/LB)

Type de pompe	Entraînement direct
Boulons de la culasse	96
Boulons du cylindre	120

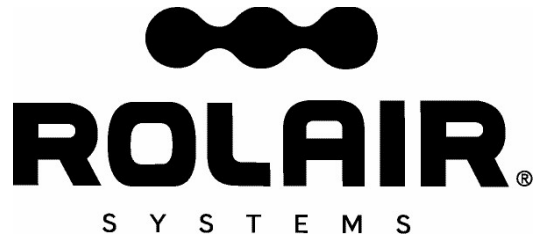
**PORTLAND
COMPRESSOR**
Experience You Can Depend On
800-542-8300

DÉPANNAGE

AVERTISSEMENT — S'assurer de bien comprendre tous les avertissements de sécurité et le fonctionnement de chaque élément de contrôle du système avant d'effectuer quelque activité de maintenance ou de réparation que ce soit. Toujours purger le réservoir complètement

de sa pression, s'assurer que le cordon d'alimentation est débranché et que l'appareil a eu le temps de refroidir avant d'effectuer quelque activité de maintenance ou de réparation que ce soit.

PANNE	CAUSE	SOLUTION
La pression dans le réservoir de la pompe s'accumule lentement	Fuites excessives dans le système	Corriger les fuites d'air
	Joint de culasse endommagé	Remplacer les joints de la culasse
	Rupture de la soupape à clapet	Remplacer les soupapes à clapet
	Filtre d'admission obstrué	Nettoyer ou remplacer l'élément d'admission
Consommation en huile excessive	Fuite du régulateur	Remplacer le régulateur
	Huile excessive dans le carter	Vidanger au niveau approprié
	Poids de l'huile inapproprié	Remplacer avec de l'huile appropriée
	Reniflard du carter obstrué	Remplacer la pige ou le bouchon de remplissage d'huile/le reniflard du carter
	Filtre d'admission sale/bloqué	Nettoyer/remplacer le filtre d'admission
Claquement	Joints du piston usés	Faire réviser l'appareil
	Cylindre rayé	Faire réviser l'appareil
Surchauffe du compresseur	Panne de la pompe interne	Faire réviser l'appareil
	Faible ventilation	Déplacer le compresseur d'air
Moteur électrique hors tension, ne bourdonne même pas	Panne de la pompe interne	Faire réviser l'appareil
	Surcharge thermique déclenchée	Localiser et appuyer sur le bouton de réinitialisation
	Bouton de réinitialisation brisé	Remplacer le bouton de surcharge/réinitialisation
	Fils du moteur ou raccordement électrique lâche(s)	Localiser et corriger le(s) raccordement(s) électrique(s) lâche(s)
Le moteur déclenche le bouton de surcharge/réinitialisation	Court-circuit dans le cordon d'alimentation	Remplacer le cordon d'alimentation
	Le moteur démarre/arrête excessivement	Installer l'ensemble double commande ou vitesse constante
	Le bouton de surcharge est défectueux/faible	Remplacer le bouton de surcharge
	Calibre de la rallonge inapproprié	Utiliser des longueurs de flexible plus longues ou une rallonge de plus gros calibre
	Boulons traversants du moteur faussés ou serrés de façon inappropriée	Reserrer ou remplacer les boulons traversants faussés
Fissures dans l'extrémité du moteur ou le boîtier	Faire réviser l'appareil	



Garantie

Associate Engineering Corporation garantit que tous les compresseurs seront exempts de quelque défaut de matériau et de fabrication que ce soit, pour une période de douze mois à compter de la date d'achat du produit d'origine ou dix-huit mois à compter de la date de fabrication, selon la date la plus proche.

Advenant quelque manquement à se conformer à la présente garantie, signalé à la Société à l'intérieur de ladite période, la Société, sur l'expédition par l'acheteur du compresseur à notre usine, frais de transport prépayés, corrigera la non-conformité par une réparation appropriée ou, à sa discrétion, fournira une pièce de remplacement FAB de notre usine.

Associate Engineering Corporation ne sera pas tenu responsable des réparations, des remplacements, des ajustements non autorisés effectués sur les compresseurs ou des coûts de main-d'œuvre assumés par l'acheteur.

La présente garantie remplace expressément quelque autre garantie explicite, implicite ou statutaire (y compris, mais sans s'y limiter, les garanties de qualité marchande et d'adéquation à l'usage prévu) et quelque autre obligation et/ou responsabilité de la part de Associate Engineering Corporation. Associate Engineering Corporation n'assume aucune responsabilité ni n'autorise aucune autre personne à assumer pour elle quelque autre obligation ou responsabilité en relation avec ou à l'égard de quelque compresseur.


Associate Engineering Corporation ne sera en aucun cas tenu responsable de quelque dommage indirect, accessoire ou particulier, ni de la sélection inappropriée de quelque compresseur pour une application particulière.

Qualité

Associate Engineering Corporation est dédiée au contrôle continu de la qualité, grâce à une recherche approfondie sur les produits que nous fabriquons. Le but recherché est de mettre à la disposition de l'utilisateur toute l'expérience et l'expertise en ingénierie dont nous disposons pour chaque pièce d'équipement que nous produisons.

Notre gamme de produits satisfait aux besoins variés du monde d'aujourd'hui en matière d'appareils à air comprimé. Vous pouvez compter sur ROLAIR pour toutes les fonctionnalités les plus récentes et perfectionnées disponibles dans le domaine des compresseurs modernes.



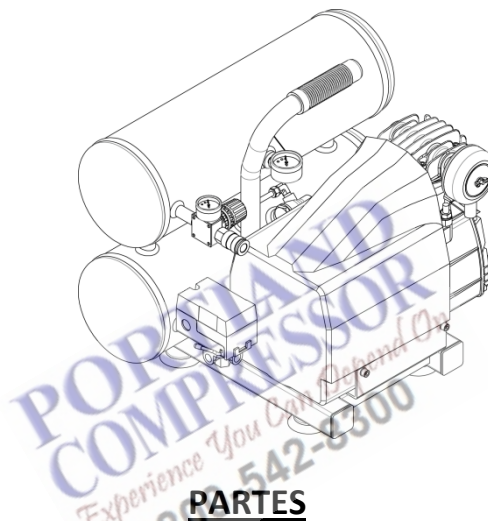


ROLAIR®

S Y S T E M S

VT20ST

MANUAL DEL PROPIETARIO



Las partes genuinas de repuesto de ROLAIR se venden en todo el país a través de una red de distribuidores y centros de servicio autorizados. Contacte al distribuidor donde adquirió su compresora de aire o a nuestro departamento de servicio al cliente en nuestra fábrica si necesita ayuda para solucionar problemas, obtener partes o localizar a un representante de servicio autorizado de ROLAIR®

Para solicitar partes de repuesto:

1. Proporcione el número de modelo de la compresora
2. Proporcione el número de serie de la compresora
3. Nombre de la parte
4. Número de parte
5. Cantidad requerida

REGISTRO DE INFORMACIÓN PERTINENTE

Haga aquí un registro permanente del modelo y el número de serie de su nueva compresora de aire. Ahorrará tiempo y gastos si incluye esta información de referencia al solicitar servicio o partes de repuesto.

Lugar y fecha de compra		Voltios
Modelo		Hz
N.º de serie		C. F.

ÍNDICE

Introducción y definiciones de advertencias de seguridad	32
Advertencias de seguridad	33-37
Identificación de los sistemas de control	38-39
Lista de comprobaciones previas al inicio	39-40
Especificaciones	40
Operación	40-41
Mantenimiento	41-43
Solución de problemas	44
Garantía	45

INTRODUCCIÓN

¡Felicitaciones por la compra de su nueva compresora de aire ROLAIR!

Con más de 50 años de experiencia en la fabricación de compresoras de aire ROLAIR específicamente diseñadas para profesionales, Associate Engineering Corporation se ha ganado la reputación de proporcionar un producto insuperable en cuanto a calidad y confiabilidad. Estamos comprometidos con seguir con esta tradición mediante el análisis y la adaptación a las necesidades cambiantes y a las demandas rigurosas de la industria. Usted puede confiar en ROLAIR porque están fabricadas para durar.

Este manual fue escrito para beneficio del operador. No utilice ni permita que alguien más utilice su compresora de aire sin antes haber leído y comprendido todas las instrucciones operativas y de seguridad de este manual. Mediante la lectura y seguimiento de las instrucciones de este manual, podrá alcanzar años de vida útil sin problemas de su nueva compresora de aire. Si después de leer este manual tiene alguna pregunta adicional sobre la seguridad o el funcionamiento, comuníquese con su distribuidor o con nuestro departamento de servicio al cliente. No quite ni pinte ninguna de las calcomanías de advertencia adheridas a la compresora. Si cualquier etiqueta de advertencia está ausente o es ilegible, suspenda el uso y contáctenos para un reemplazo gratuito (1-800-310-3573).

Definiciones: Advertencias de seguridad

Los símbolos de seguridad son usados en todo este manual para alertarlo a usted sobre situaciones inminentemente o potencialmente peligrosas. Las siguientes definiciones describen el nivel de gravedad de cada palabra de señalización.



PELIGRO: Indica una situación peligrosa inminente que, si no se evita, PROVOCARÁ lesiones graves o la muerte.



ADVERTENCIA: Indica una situación potencialmente peligrosa que, si no se evita, PODRÍA provocar lesiones graves o la muerte.



PRECAUCIÓN: Indica una situación potencialmente peligrosa que, si no es evitada, PUEDE resultar en heridas menores o moderadas, o daños en el compresor de aire u otras pertenencias.

⚠️ ADVERTENCIA: No arranque, no opere y no realice un servicio en esta máquina, hasta haber leído y comprendido completamente el manual del dueño. El no seguir esta advertencia, puede resultar en muerte o serias heridas. Si usted tiene preguntas, por favor, llame a nuestro número libre de cargo, 1-800-310-3573.

⚠️ ADVERTENCIA: CONTIENE PLOMO. Puede ser dañino si se ingiere o se mastica. Puede generar polvo que contenga plomo. Lávese las manos después del uso. Manténgalo fuera del alcance de los niños.

⚠️ ADVERTENCIA: Este producto puede exponerle a químicos incluyendo plomo, que es conocido por el Estado de California como causante de cáncer y defectos de nacimiento u otros daños reproductivos. Para mayor información, visite www.P65Warnings.ca.gov.

¡GUARDE ESTAS INSTRUCCIONES!



⚠️ PELIGRO: RIESGO DE EXPLOSIÓN O INCENDIO

QUÉ PUEDE OCURRIR

CÓMO EVITARLO

- | | |
|---|---|
| <ul style="list-style-type: none"> Los componentes eléctricos dentro del motor y el interruptor de presión emiten chispas. Esto es normal. Si las chispas eléctricas del compresor entran en contacto con vapores inflamables, pueden encenderse, causando incendio o explosión. Una ventilación inadecuada o restricciones a cualquiera de las aberturas de ventilación de los compresores, causarán serios sobrecalentamientos y pueden provocar un incendio. | <ul style="list-style-type: none"> Siempre opere el compresor en un área bien ventilada lejos de todo vapor, líquido, pintura o gasolina inflamables, o cualquier otro material combustible. Siempre sitúe la compresora a al menos 20 pies (6 m) de distancia del área de trabajo si va a rociar materiales inflamables. Almacene los materiales inflamables en un sitio seguro, alejados del compresor. |
| <ul style="list-style-type: none"> Los compresores desatendidos, con fugas en la unidad o en el sistema de aire, pueden arrancar inesperada y repetidamente, y eso puede resultar en sobrecalentamiento, incendio y heridas personales o daños a la propiedad. | <ul style="list-style-type: none"> Nunca coloque objetos contra o encima de un compresor de aire. Siempre opere el compresor de aire por lo menos a 45 cm (18 pulgadas) de distancia de toda pared u obstrucción. Siempre opere en un área limpia, seca y bien ventilada. Siempre permanezca atendiendo al compresor cuando el mismo esté funcionando. Siempre apague y desenchufe el compresor cuando no esté en uso. |
| <ul style="list-style-type: none"> Puede ocasionarse un incendio si gas o vapores derramados entran en contacto con piezas del motor calientes, cigarrillos encendidos u otras fuentes de ignición. | <ul style="list-style-type: none"> Nunca intente llenar el tanque de gasolina mientras el motor esté caliente o en funcionamiento. Agregue el combustible en el exterior y en un área bien ventilada. No llene el tanque de gasolina cerca de cigarrillos encendidos ni cerca de otras fuentes de ignición. |



⚠️ PELIGRO: RIESGO PARA LA RESPIRACIÓN (ASFIXIA)

QUÉ PUEDE OCURRIR

CÓMO EVITARLO

- | | |
|--|--|
| <ul style="list-style-type: none"> El aire de su compresor no es seguro para respirar y puede contener monóxido de carbono, vapores tóxicos o partículas sólidas. La inhalación del aire comprimido de su compresor de aire puede causar serias heridas o muerte. Materiales rociados tales como pintura, estuco, insecticidas, solventes, etc. pueden contener vapores nocivos y venenos. | <ul style="list-style-type: none"> Nunca inhale aire comprimido directamente de la bomba, el tanque, el receptor, o un dispositivo para respirar conectado con el compresor de aire. El compresor no está equipado con filtros adecuados y equipos de seguridad en línea para consumo humano. No use el aire de descarga para respirar. |
| <ul style="list-style-type: none"> En los compresores accionados a gas, los gases del escape del motor contienen monóxido de carbono venenoso que es inodoro e incoloro. La inhalación de esos gases puede llevar a lesiones serias o muerte. | <ul style="list-style-type: none"> Opere el compresor y realice los trabajos solamente en áreas bien ventiladas. Lea y siga las instrucciones de seguridad proporcionadas en el rótulo o en las fichas de datos de seguridad de los materiales que usted esté rociando. Siempre use equipo de seguridad certificado y diseñado para su aplicación específica. Opere los compresores solamente en áreas bien ventiladas. Evite inhalar los vapores del escape del motor y nunca haga funcionar un motor pequeño a gasolina en un edificio cerrado o en un área cerrada sin la ventilación adecuada. |



⚠️ ADVERTENCIA: RIESGO DE EXPLOSIÓN

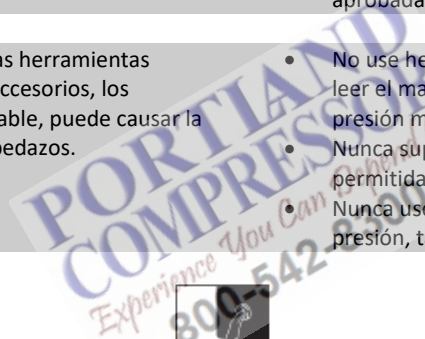
EL TANQUE DE AIRE: Los tanques de aire no tienen una vida infinita y deben ser inspeccionados una vez por año para asegurar que todavía son seguros para el uso. Para encontrar un inspector de recipientes presurizados en su estado, busque bajo "Division of Labor and Industries" (División de trabajo e industrias) en la sección de gobierno de la guía telefónica o llámenos sin cargo al 1-800-310-3573 para recibir asistencia.

Las siguientes condiciones pueden llevar a un debilitamiento del tanque de aire, y resultar en una explosión violenta del tanque de aire:

QUÉ PUEDE OCURRIR	CÓMO EVITARLO
<ul style="list-style-type: none"> El incumplimiento del drenaje apropiado y regular del agua condensada en los tanques de aire llevará a la corrosión, y la disminución del espesor del tanque de aire de acero puede ocasionar una explosión violenta del tanque de aire. Las modificaciones, las alteraciones o los intentos de reparaciones realizados en el tanque de aire pueden llevar a una explosión violenta del tanque de aire. 	<ul style="list-style-type: none"> Drene los tanques diariamente o después de cada 4 horas de uso. Si el tanque tiene una fuga, reemplácelo inmediatamente por un nuevo tanque de aire, o un nuevo compresor completo. Nunca perforo, abolle, suelde, emparche o modifique el tanque de aire o sus accesorios de ninguna manera. Si usted posee un tanque en el que cualquiera de esas condiciones pareciera existir o haber sido intentada, discontinúe el uso y reemplace el tanque de aire inmediatamente. Nunca intente reparar un tanque dañado o con fugas. Reemplácelo por un nuevo tanque inmediatamente.
<ul style="list-style-type: none"> Las modificaciones no autorizadas sobre la válvula de seguridad, el interruptor de presión, la válvula descargadora del piloto, o cualquier otro componente que controle la presión del tanque de aire, puede llevar a una explosión violenta del tanque de aire. 	<ul style="list-style-type: none"> El compresor de aire está diseñado para operar seguramente y soportar una presión específica fijada en la fábrica. Nunca realice ajustes o sustituya piezas componentes que controlen la presión del tanque de aire o las presiones operativas fijadas en la fábrica. No altere la configuración de fábrica de la presión operativa. Antes de comenzar, y con la presión del tanque de aire en cero, tire del anillo en la válvula de seguridad para asegurarse de que se mueve libremente. Nunca encienda la compresora sin una válvula de seguridad aprobada por la fábrica.

Aditamentos y accesorios:

<ul style="list-style-type: none"> Excediendo la capacidad de presión de las herramientas neumáticas, las pistolas rociadoras, los accesorios, los neumáticos o cualquier otro artículo inflable, puede causar la explosión de los mismos o su rotura en pedazos. 	<ul style="list-style-type: none"> No use herramientas neumáticas ni aditamentos antes de leer el manual del dueño, para determinar la capacidad de presión máxima de seguridad. Nunca supere la capacidad nominal de presión máxima permitida del fabricante. Nunca use el compresor para inflar objetos pequeños de baja presión, tales como juguetes para niños, pelotas, etc.
--	--



⚠️ PELIGRO: RIESGOS DE HERIDAS O DAÑOS A LA PROPIEDAD DURANTE EL TRANSPORTE O EL ALMACENAMIENTO

QUÉ PUEDE OCURRIR	CÓMO EVITARLO
<ul style="list-style-type: none"> El aceite del compresor puede fugarse o derramarse, lo que puede ocasionar incendios o peligros para la respiración, causando heridas serias o muerte. Las fugas de aceite dañan alfombras, pintura o cualquier otra superficie. 	<ul style="list-style-type: none"> Siempre mantenga el compresor nivelado y nunca acostado lateralmente. Durante el transporte, siempre coloque el compresor sobre un tapete protector para evitar daños ocasionados por posibles fugas. Siempre retire el compresor del vehículo inmediatamente al llegar a su destino. Si se encuentra una fuga de aceite, siga todos los códigos de seguridad locales para la limpieza de materiales peligrosos.



⚠️ ADVERTENCIA: RIESGO DE DESCARGA ELÉCTRICA

QUÉ PUEDE OCURRIR	CÓMO EVITARLO
<ul style="list-style-type: none"> Conexión eléctrica a tierra: El incumplimiento de proporcionar una conexión a tierra adecuada para el compresor puede resultar en heridas serias o muerte causadas por choques eléctricos. 	<ul style="list-style-type: none"> Siempre asegúrese de que el circuito eléctrico al cual el compresor está conectado proporciona conexión eléctrica a tierra apropiada, voltaje correcto y protección de fusibles adecuada. Si usted no está seguro, o si tiene alguna pregunta sobre correctas conexiones eléctricas a tierra, voltaje correcto o protección de fusibles adecuada, por favor llámenos sin cargo al número 800-310-3573.

- Su compresor de aire funciona con electricidad. Como cualquier dispositivo eléctrico, si no es usado apropiadamente, puede causar descargas eléctricas.
- Pueden ocurrir serias heridas o muerte si se intentan realizar reparaciones por personal no autorizado.
- Nunca opere el compresor en el exterior cuando esté lloviendo, nevando o en condiciones húmedas.
- Nunca deje que su cable eléctrico permanezca dentro del agua.
- Nunca opere el compresor con un cable eléctrico dañado o con las cubiertas protectoras dañadas o retiradas.
- Nunca toque el enchufe con las manos mojadas.
- Nunca tire del cable eléctrico para desconectarlo de la toma de corriente.
- Todas las reparaciones o instalaciones eléctricas realizadas en este compresor deben ser llevadas a cabo solamente por personal de servicio autorizado por ROLAIR y de acuerdo con todos los códigos de electricidad nacionales y locales.



⚠️ ADVERTENCIA: RIESGO DE OBJETOS VOLANTES

QUÉ PUEDE OCURRIR

- Pueden ocurrir serias heridas o daños a la propiedad causados por residuos disparados a altas velocidades por los chorros de aire comprimido.

CÓMO EVITARLO

- Siempre use equipo de seguridad certificado: gafas protectoras para los ojos ANSI Z87.1 (CAN/CSA Z94.3) con protectores laterales, cuando usa el compresor.
- Nunca dirija la corriente de aire, la boquilla o el rociador hacia ninguna parte de su cuerpo, otras personas o animales.
- Siempre desconecte el compresor y drene la presión del tanque completamente antes de efectuar el mantenimiento o la sujeción de la manguera de aire o las herramientas.



⚠️ ADVERTENCIA: RIESGO DE SUPERFICIES CALIENTES

QUÉ PUEDE OCURRIR

- Serias quemaduras y heridas pueden resultar al tocar piezas metálicas expuestas, tales como el motor, la bomba o cualquier pieza de las líneas de descarga de cobre/trenzado y sus componentes. Estas piezas se calientan durante la operación y permanecen calientes por un período extendido de tiempo, aun después de haber apagado el compresor.

CÓMO EVITARLO

- Nunca toque una pieza metálica expuesta durante la operación, ni por un período de tiempo extendido después de apagar el compresor.
- No se acerque a las envolturas ni intente realizar ningún mantenimiento hasta que la unidad esté completamente fría.



⚠️ ADVERTENCIA: RIESGOS DE PARTES EN MOVIMIENTO

QUÉ PUEDE OCURRIR

- Serias heridas o muerte pueden ocurrir si piezas móviles, tales como correas, volantes, poleas o ventiladores están en contacto con su cuerpo o sus ropas.
- Un compresor de aire eléctrico puede volver a arrancar en cualquier momento mientras está enchufado, y un arranque inesperado puede resultar en serias heridas, muerte o daño a la propiedad.

CÓMO EVITARLO

- Previamente a la operación, siempre asegúrese de que todos los protectores y cubiertas estén en buenas condiciones, y nunca opere el compresor si un protector o cubierta ha sido quitado o dañado.
- Siempre mantenga su pelo, sus joyas, sus ropas y sus guantes alejados de las piezas móviles, pues pueden quedar enganchados.
- Es común que las ventilaciones de aire cubran piezas móviles, y por lo tanto, también deben ser evitados.
- Siempre desenchufe el compresor cuando no esté en uso.
- Siempre drene completamente la presión del tanque de aire antes de intentar cualquier reparación o mantenimiento.
- Nunca deje operar el compresor de aire a los niños o a los adolescentes.

- Intentar operar el compresor con cualquier pieza, protector, envoltura o cubierta, dañados o faltantes, lo expondrá a usted a las piezas móviles, y eso puede resultar en heridas serias o muerte.

- Toda reparación del compresor de aire solamente debe ser realizada por personal autorizado por la fábrica ROLAIR.



⚠️ ADVERTENCIA: RIESGO AL LEVANTAR

QUÉ PUEDE OCURRIR

- Se pueden producir lesiones graves al tratar de levantar un objeto que es demasiado pesado.

CÓMO EVITARLO

- Siempre obtenga asistencia de otras personas antes de intentar levantar cualquier objeto muy pesado para usted.



⚠️ ADVERTENCIA: RIESGO DE CAÍDAS

QUÉ PUEDE OCURRIR

- Un compresor puede vibrar y moverse durante el curso de una operación normal, resultando en una caída desde una mesa, un banco de trabajo, un techo u otra plataforma, causando daños al compresor, a la propiedad y resultando en heridas serias o muerte a cualquier persona en la cercanía.

CÓMO EVITARLO

- Siempre opere el compresor de aire en una posición estable y segura para evitar movimientos accidentales de la unidad. Nunca opere el compresor sobre un techo u otra posición elevada. Use la manguera de aire para alcanzar sitios altos.



⚠️ ADVERTENCIA: RIESGO DE RUIDO

QUÉ PUEDE OCURRIR

- Bajo algunas condiciones y duración del uso, el ruido proveniente de este producto puede contribuir a pérdida auditiva.

CÓMO EVITARLO

- Siempre use equipo de seguridad certificado: protección auditiva ANSI S12.6 (S3.19).

PORTLAND COMPRESSOR
 Experience You Can Depend On
 800-542-8300



⚠️ ADVERTENCIA: RIESGO DE OPERACIÓN PELIGROSA

QUÉ PUEDE OCURRIR

- Serias heridas o muerte pueden ocurrirle a usted o a otras personas si el compresor de aire es usado de una manera peligrosa.

CÓMO EVITARLO

- Revea y entienda todas las instrucciones en su manual del dueño.
- Sepa como detener el compresor de aire en todo momento.
- No la utilice hasta que se haya familiarizado completamente con todos los controles.
- No opere el compresor si usted se encuentra fatigado, bajo la influencia de alcohol o de drogas, o en cualquier otro estado que pueda impedirle el juicio.
- Manténgase alerta mientras opera el compresor y preste mucha atención a la tarea que realiza.



⚠️ PRECAUCIÓN: RIESGO DE DAÑOS A LA COMPRESORA DE AIRE O LA PROPIEDAD

QUÉ PUEDE OCURRIR

- El incumplimiento del transporte o la operación correctos del compresor puede resultar en grandes costos de reparación.

CÓMO EVITARLO

- Revise los niveles de aceite y mantenga los niveles de aceite adecuados.
- Siempre opere el compresor en una posición segura y

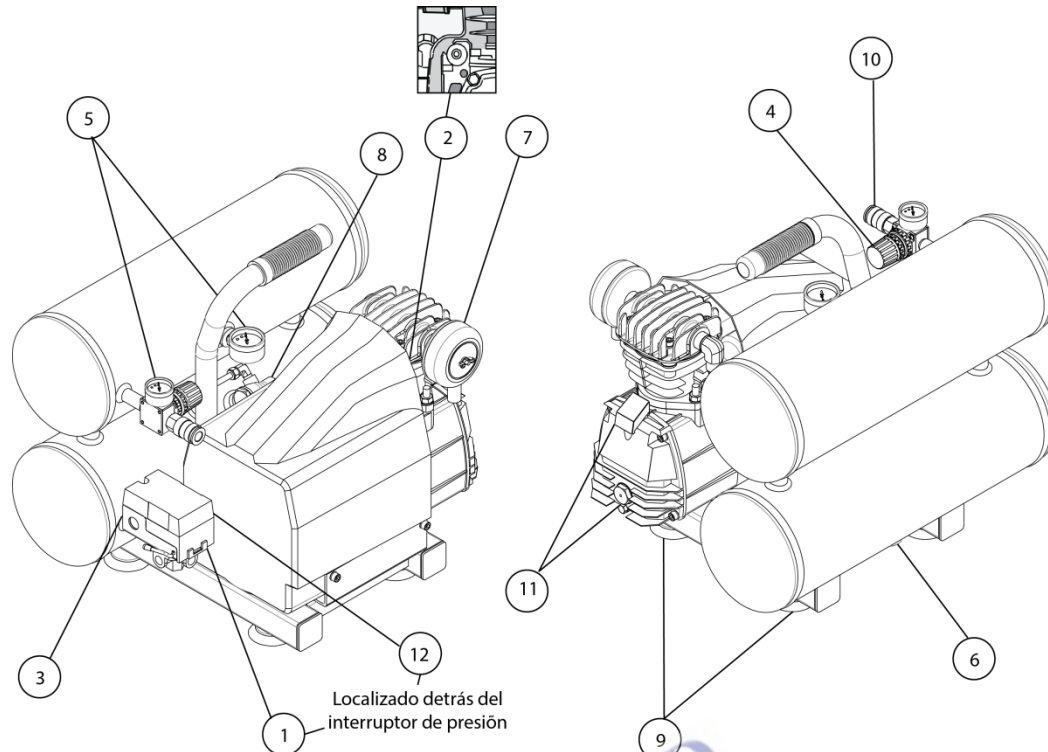
nivelada.

- No la utilice sin un filtro de aire o en un entorno corrosivo.

PARA COMPRESORES DE AIRE CON MOTOR A GAS – Por favor, observe que su compresor de aire accionado a gas puede no estar equipado con un amortiguador de chispas. Si el compresor es operado cerca de materiales inflamables o cultivos agrícolas, malezas, bosques y praderas, se debe instalar un amortiguador de chispas, que debe ser mantenido en buen funcionamiento. La sección 130050 del Código de Recursos Públicos de California, secciones 4442 y 4443, establece el uso obligatorio de un corta chispas aprobado en el estado de California. Verifique sus reglamentaciones locales y estatales para determinar si es necesaria la instalación de un amortiguador de chispas en su área operativa.

**PORTLAND
COMPRESSOR**
Experience You Can Depend On
800-542-8300

CONTROLES DEL SISTEMA



(1) VÁLVULA DE SEGURIDAD Cada compresora de aire ROLAIR está equipada con una válvula de seguridad que está diseñada para descargar la presión de descarga del tanque a un valor predeterminado cuando se presenta una falla en el sistema. Revise diaria la válvula de seguridad jalando el anillo solamente cuando se haya drenado completamente la presión del tanque. La válvula de resorte se deberá mover libremente dentro del cuerpo de la válvula de seguridad. Una válvula de seguridad no operativa puede permitir la acumulación de presión excesiva en el tanque, causando la rotura violenta o explosión del tanque de aire.



No altere la válvula de seguridad ni intente eliminarla.

(2) SOBRECARGA MANUAL/REINICIO DEL MOTOR Cada compresora de aire eléctrica ROLAIR está fabricada con protección de sobrecarga manual. Si el motor se sobrecalienta, el sensor de sobrecarga *accionará* el botón de reinicio para proteger el motor. Si esto ocurre, deje que el motor se enfríe durante aproximadamente cinco minutos. Localice y presione el botón de reinicio. El uso de un cable de extensión de calibre pequeño o de longitud excesiva podría ser la causa del sobrecalentamiento. Reevalúe la fuente de alimentación y el calibre o la longitud del cable de extensión que utiliza. (Consulte la tabla en la página 40)

(3) INTERRUPTOR DE PRESIÓN La mayoría de las compresoras de aire eléctricas funcionan mediante el uso de un interruptor de presión. Siempre asegúrese de que la palanca se encuentre en la posición de "Apagado" antes de conectar el cable de alimentación. Al mover la palanca a la posición de "Encendido/Automático", la compresora arrancará y se apagará automáticamente dentro de los valores del interruptor de presión que normalmente son de 95 a 125 psi (724 a 896 kPa). No trate de apagar la compresora desconectando el cable de alimentación. Para apagarla, simplemente mueva la palanca a la posición de "Apagado". La palanca acciona una válvula de seguridad que libera la presión del cabezal y permite que la compresora se reinicie sin carga la siguiente vez que se utilice.

(4) REGULADOR: PRESIÓN OPERATIVA Para ajustar la presión de línea/salida, levante la perilla de ajuste del regulador y gírela en el sentido de las manecillas del reloj para aumentar la presión operativa o en sentido contrario para reducirla. Presione la perilla de ajuste nuevamente hacia abajo para fijar el valor. Nunca supere la capacidad nominal de presión máxima permitida del fabricante de la herramienta que se utiliza o del artículo que se infla.

(5) MEDIDORES DE PRESIÓN Normalmente, la mayoría de las compresoras están diseñadas con un medidor que mide la presión de almacenamiento o del tanque y otro medidor conectado al regulador que indica la presión operativa o de salida.

(6) VÁLVULAS DE DRENADO Hay una o más válvulas de drenado instaladas que permiten drenar diariamente la humedad de los tanques de almacenamiento de la compresora. Abra las válvulas con cuidado y lentamente para evitar que escamas, óxido o residuos salgan disparados a gran velocidad.

CONTROLES DEL SISTEMA (continuación)

(7) FILTRO DE ADMISIÓN DE AIRE Los filtros de admisión de aire se instalan para evitar que se introduzca materia extraña al motor o a la bomba de la compresora. Revise los elementos de la admisión diariamente y límpielos o reemplácelos si es necesario. Se puede usar agua jabonosa tibia o aire comprimido a baja presión para limpiar los elementos. Revise los recipientes de entrada o los codos en busca de grietas o sellos rotos y reemplácelos si encuentra problemas estructurales.

(8) VÁLVULA DE RETENCIÓN Todas las compresoras de aire ROLAIR están fabricadas con una válvula de retención que sella y mantiene la presión del tanque después de haber alcanzado el valor de presión máxima de la válvula piloto o del interruptor de presión. La válvula de retención funciona en combinación con la válvula de seguridad del interruptor de presión para proporcionar un arranque sin carga a la compresora. Una breve ráfaga de aire que escapa de la válvula de seguridad del interruptor de presión después de que la unidad alcanza el valor máximo indica que la válvula de retención funciona correctamente. Si, después de detenerse, la compresora tiene una fuga misteriosa que no se puede encontrar en otra parte, es posible que la válvula de retención requiera una reparación o un reemplazo.

(9) AMORTIGUADORES DE VIBRACIÓN Las almohadillas de hule instaladas debajo de cada unidad de tanque portátil ROLAIR son muy importantes para el funcionamiento adecuado de la compresora de aire. Proporcionan protección contra las vibraciones que, si no se controlan, podrían provocar daños a muchos componentes del sistema.

(10) DESCONEXIÓN RÁPIDA Su compresora de aire tiene una desconexión rápida universal o de 3 vías instalada. Simplemente, encastre un enchufe macho de 1/4 pulgada al conector para conectar a presión la conexión de la manguera al conector. Alivie siempre la presión del conector antes de instalar o quitar la manguera. Consulte las instrucciones del regulador (n.º 4 más arriba). Tire del collar hacia atrás para quitar la manguera de aire después de haber aliviado la presión.

(11) RESPIRADERO/TAPÓN DE LLENADO DE ACEITE Todas las bombas de las compresoras de aire recíprocantes incluyen una ventilación de cárter que alivia la presión que se acumula debido al movimiento descendente del pistón en el cilindro de la bomba. Nuestras compresoras de aire de acción directa expulsan la presión del cárter a través de puertos especiales en la varilla de medición del nivel de aceite. Nuestras unidades accionadas por correa respiran a través del tapón de llenado de aceite. Nunca haga funcionar una compresora de aire sin la varilla de medición del nivel de aceite o sin el tapón de llenado de aceite.

(12) VÁLVULA DE SEGURIDAD DEL INTERRUPTOR DE PRESIÓN La mayoría de las compresoras de aire eléctricas configuradas con un funcionamiento de arranque y apagado están equipadas con una válvula de seguridad del interruptor de presión. Esta válvula funciona en combinación con la válvula de retención del tanque para purgar el aire comprimido atrapado entre la bomba y la válvula de retención después de cada ciclo, lo que facilita volver a arrancar la compresora. Un silbido de aire breve pero audible al final de cada ciclo significa que la válvula está funcionando correctamente. Una fuga de aire continua de la válvula de seguridad al final de un ciclo indicaría que hay un problema con la válvula de retención. Una válvula de seguridad/válvula de retención que funciona incorrectamente puede provocar fallas prematuras en la empaquetadura y/o en el motor.

LISTA DE COMPROBACIONES PREVIAS AL INICIO

Lea el manual del propietario completamente. Asegúrese de comprender completamente todas las advertencias de seguridad, los sistemas de control y las instrucciones que se incluyen antes de tratar de hacer funcionar esta compresora de aire. Se han hecho todos los esfuerzos por ofrecerle la información necesaria para obtener muchos años de servicio confiable y sin problemas de su nueva compresora de aire. El uso correcto de la compresora de aire es su responsabilidad. Para obtener la máxima vida útil posible de la compresora de aire, siempre deberá tener presentes las siguientes instrucciones.

1. SIEMPRE HAGA FUNCIONAR LA COMPRESORA EN POSICIÓN NIVELADA

Las bombas que se lubrican por salpicadura tienen una varilla medidora en la parte inferior de la varilla de conexión que se debe mantener sumergida en el aceite. Hacer funcionar la unidad a un ángulo de más de 10 grados provocará que la bomba se obstruya, y esto anulará la garantía del producto.

2. UTILÍCELA EN UN ÁREA LIMPIA, SECA Y BIEN VENTILADA

No haga funcionar la unidad bajo la lluvia o en áreas de agua estancada. Nunca la haga funcionar en un área en donde existan otros gases, humos o vapores que puedan explotar al comprimirse. No haga funcionar la compresora en un área cerrada.

3. REVISE DIARIAMENTE EL NIVEL DE ACEITE Y CÁMBIELO A INTERVALOS REGULARES

Consulte la sección de mantenimiento de este manual del propietario para conocer el tipo y viscosidad correctos del aceite que se debe usar y la frecuencia con la que se debe cambiar el aceite. Revise los niveles de aceite diariamente.

4. INSPECCIONE/LIMPIE/CAMBIE PERIÓDICAMENTE LOS ELEMENTOS DE ADMISIÓN

La introducción de suciedad en la bomba y el motor es la causa principal del desgaste prematuro. Ponga especial atención a los filtros de admisión. Revise diariamente los filtros de admisión.

LISTA DE COMPROBACIONES PREVIAS AL INICIO (continuación)

5. UTILICE UNA MANGUERA DE AIRE DEL TAMAÑO ADECUADO EN VEZ DE CABLES DE EXTENSIÓN

Si es necesario usar un cable de extensión, consulte la tabla que aparece a continuación para conocer el calibre adecuado y la longitud máxima que se pueden usar. El uso de una manguera de aire del tamaño inadecuado también producirá caídas de presión por fricción que podrían afectar el rendimiento adecuado de sus herramientas neumáticas.

TABLA DE CABLES ELÉCTRICOS DE EXTENSIÓN		
Calibre mínimo del cable		
Extensión Longitud del cable	Motor 1/2 y 3/4 caballos de fuerza	Motor 1, 1 1/2 y 2 caballos de fuerza
Hasta 25 pies (7.62 m)	14 galones (52.99 l)	12 galones (45.42 l)
25 a 50 pies (7.62 a 15.24 m)	12 galones (45.42 l)	10 galones (37.85 l)
50 a 100 pies (15.24 a 30.48 m)	10 galones (37.85 l)	12 galones (45.42 l)

6. NO UTILICE UN GENERADOR COMO FUENTE DE ALIMENTACIÓN

Las compresoras de aire utilizan motores inductivos que requieren consumir un amperaje de carga completa de 3 a 5 veces más para arrancar correctamente. La mayoría de los generadores no producirán la potencia necesaria para arrancar correctamente este tipo de motor eléctrico.

7. REVISE LA TENSIÓN DE LOS PERNOS Y LOS ACCESORIOS PERIÓDICAMENTE

Utilizar cualquier equipo con pernos o conexiones flojos producirá una vibración excesiva y la falla prematura de los componentes de control de la compresora.

8. MANTENGA LAS ALMOHADILLAS ANTIVIBRACIÓN DE HULE

La vibración excesiva es una causa principal de fallas prematuras de la compresora. Siempre mantenga las almohadillas antivibración de hule colocadas debajo de la unidad de tanque. Usar la unidad sin ellas anulará la garantía.

9. DRENE DIARIAMENTE LA HUMEDAD DE LOS TANQUES DE AIRE

El agua es un producto derivado natural del aire comprimido. Drene los tanques de aire después de cada uso a fin de combatir la corrosión interna de los mismos. Mantenga cerradas las válvulas de drenado si va a guardar la compresora durante algún tiempo.

ESPECIFICACIONES

VT20ST			
Caballos de fuerza	2 HP	Capacidad del tanque	20 litros
Voltaje	120 V	Tiempo de bombeo a presión operativa (0-130 psi)	1:23
Hercios	60 hZ	Tiempo de recuperación (100-130 psi)	:20
Fase	1	Desplazamiento en pies ³ /min	5.5
R.p.m. del motor	1700	Salida de pies ³ a 40 psi	4.8
Etapas	1	Salida de pies ³ a 90 psi	4.2
Intensidad de corriente	13.5	Dimensiones (LxWxH cm)	49x41x44
Protección térmica	Manual	Peso	28.12 kg
Valores de fábrica	95-125 psi	Nivel de ruido	74 dBA
Cantidad de llenado de aceite	0,295 litros	Ciclo de operación	Continua

OPERACIÓN

ADVERTENCIA: Su seguridad y el bienestar de otros durante la operación de todas las compresoras ROLAIR es nuestra principal preocupación. No haga funcionar la compresora de aire, ni permita que nadie más lo haga, hasta que haya leído y comprendido completamente la información de este manual. Comuníquese con su distribuidor o con nuestro departamento de servicio al cliente si tiene alguna pregunta acerca del uso correcto de su compresora de aire.

CONDICIONES HÚMEDAS: No opere su compresor en condiciones húmedas o mojadas, o después de haber estado expuesto a la lluvia, aguanieve, hielo, nieve o humedad de cualquier tipo. El incumplimiento de esta advertencia puede ocasionar descargas eléctricas y/o formación de hielo y óxido en componentes críticos, tornando peligrosa la operación del compresor. Siempre opere y/o guarde el compresor en un sitio limpio y seco con buena ventilación.

OPERACIÓN (continuación)

ELÉCTRICA DE ACCIÓN DIRECTA

Asegúrese de que la compresora de aire esté lista para funcionar revisando los temas y la información que se ofrecen en la sección “Lista de comprobaciones previas al arranque” de este manual. Abra lentamente el drenado del tanque para eliminar cualquier condensación que se haya acumulado y mantenga el drenado abierto durante unos cuantos segundos después de arrancar la unidad de motor/bomba para calentarla. Asegúrese de que la palanca del interruptor de presión esté en la posición de “Cerrado” antes de conectar el cable de alimentación en una toma de corriente con conexión a tierra. Mueva la palanca del interruptor de presión a la posición “Encendido/Automático” para acumular y mantener automáticamente el valor de presión

máxima del tanque. Gire la perilla de ajuste del regulador en sentido contrario al de las manecillas del reloj hasta que el medidor integrado indique 0 psi (0 kPa) antes de conectar la manguera de aire y el accesorio. Establezca la presión operativa girando la perilla de ajuste del regulador en el sentido de las manecillas del reloj en presión operativa de acuerdo con las especificaciones que proporciona el fabricante de la herramienta. Siempre use la palanca del interruptor de presión “Encendido (automático)/Apagado” para arrancar o apagar la compresora de aire. **Nunca** detenga la compresora desconectándola de la fuente de alimentación. Guarde la compresora en un lugar tibio y seco y realice el mantenimiento como se indica en el manual.

CICLO DE OPERACIÓN:

Varias máquinas de acción directa ROLAIR, modelos FC1500HBP2, FC1500HS3 y JC10, están clasificadas para un ciclo de operación del 70 %. Si se somete una compresora a un funcionamiento continuo, la sobrecarga interna apagará el motor y únicamente se reiniciará cuando se haya enfriado lo suficiente.

TEMPERATURAS DE CONGELAMIENTO:

El mantenimiento del fluido apropiado y los procedimientos de calentamiento son obligatorios antes de intentar arrancar o de operar un compresor de aire en temperaturas de congelamiento. El agua, un subproducto natural del aire comprimido, puede transformarse en hielo y eventualmente bloquear el flujo de aire hacia adentro, a través y/o hacia afuera de la bomba, el/los tanque/s de aire y el/los conducto/s de aire. Drene los tanques y los conductos de aire después de cada uso y deje las válvulas de drenaje abiertas cuando el compresor no esté en uso. Si una parte o todo el compresor estuviera congelado, usted debe descongelarlo completamente antes de intentar arrancarlo. Aumente gradualmente la temperatura por encima del congelamiento y luego drene la humedad de los tanques de aire, los “intercoolers” y las trampas de agua.

Prácticas óptimas para uso en climas fríos:

- No intente arrancar un compresor congelado. Primero descongélelo completamente.
- Almacene su compresor de aire en un área limpia y seca que permanezca consistentemente por encima de temperaturas de congelamiento.
- Cambie el aceite de la bomba y del motor a un aceite de calidad adecuada para el invierno (vea el manual del dueño).
- Antes de arrancar, abra el/los drenaje/s del tanque y permita al compresor funcionar durante 45 a 60 segundos con el/los drenaje/s del tanque abiertos antes de cerrarlos, para aumentar la presión del tanque.
- También puede ser necesario usar un lubricante con fluido descongelante para evitar que sus conductos de aire se congelen o se bloqueen con hielo.
- Si tiene preguntas adicionales, por favor contacte a su concesionario ROLAIR o a nuestro departamento de servicio para el cliente en la fábrica.

FUNCIONAMIENTO A GRANDES ALTITUDES:

Debido a una disminución de la presión atmosférica, las bombas de las compresoras de aire producen menos CFM (pies³/min) a mayor elevación. Como regla general, la salida disminuirá aproximadamente un tres por ciento por cada 1000 pies (304 m) de elevación. Además, puesto que a mayor elevación el aire es menos denso y no se enfría tan bien, los motores eléctricos no pueden someterse a la capacidad completa de amperaje de factor de servicio de placa de identificación y es posible que deban acondicionarse para evitar el sobrecalentamiento reiterado.

Es posible que las compresoras de acción directa o de mano fabricadas con válvulas de arranque en frío deban modificarse al funcionar a mayor elevación. Comuníquese con el departamento de servicio al cliente en nuestra fábrica si su compresora de aire que normalmente funciona de manera confiable deja de funcionar correctamente a mayor elevación.

MANTENIMIENTO

Su nueva compresora de aire representa la mejor ingeniería y construcción que están disponibles. Hasta la mejor maquinaria requiere mantenimiento periódico. Aplique el cronograma de mantenimiento y considere las sugerencias siguientes para mantener su compresora en condiciones óptimas.

NOTA: Siempre desconecte o apague la compresora y drene los tanques de aire completamente antes de intentar dar cualquier tipo de mantenimiento. Espere a que la compresora se enfríe antes de darle servicio.

IMPORTANTE: Reemplace el aceite después de las primeras 50 horas de operación.

CONSEJOS DE MANTENIMIENTO:

- 1) Utilice una solución de agua jabonosa para revisar si hay fugas de aire.
- 2) Nunca limpie los filtros con un solvente inflamable.
- 3) Reajuste los pernos del cabezal sólo después de que la bomba se haya enfriado.
- 4) Nunca aplique soldadura en los tanques de aire.
- 5) Aplique calor para aflojar el sello Loctite en las válvulas de drenado, las poleas del motor y los volantes antes de tratar de quitarlo.

MANTENIMIENTO (continuación)

CRONOGRAMA DE MANTENIMIENTO

Recomendación	Diariamente	Semanalmente	Mensualmente	Trimestralmente	Anualmente
Revisar nivel de aceite	X				
Drenar humedad de los tanques	X				
Inspeccionar filtros de aire	X				
Revisar si hay ruido o vibración inusuales	X				
Inspeccionar la protección de la correa	X				
Revisar si hay fugas de aire o aceite	X				
Limpiar el exterior de la compresora de aire		X			
Revisar la condición de las almohadillas antivibración		X			
Ajustar/reajustar los pernos		X			
Revisar la tensión de la correa		X			
Revisar el funcionamiento de la válvula de seguridad		X			
Cambiar el aceite de la compresora			X		
Limpiar/cambiar el filtro de aire			X		
Realizar una prueba de tiempo de bombeo			X		
Revisar el funcionamiento de los controles del sistema				X	
Revisar los tanques en busca de fugas o abolladuras				X	
Inspección del tanque por un inspector certificado					X

TABLA DE PARES DE TORSIÓN (PULGADAS/LIBRAS)

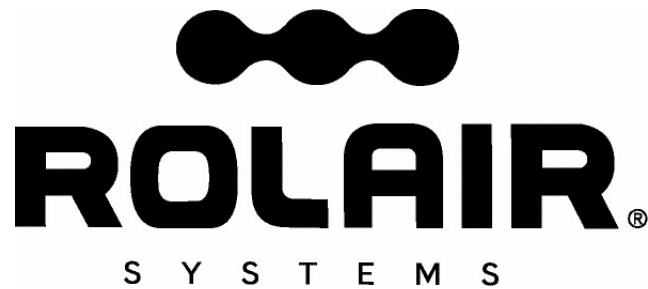
Tipo de bomba	De acción directa
Pernos del cabezal	96
Pernos del cilindro	120

**PORTLAND
COMPRESSOR**
Experience You Can Depend On
800-542-8300

SOLUCIÓN DE PROBLEMAS

ADVERTENCIA: Asegúrese de entender completamente todas las advertencias de seguridad y el funcionamiento de cada componente de control del sistema antes de intentar cualquier mantenimiento o reparación. Siempre drene el tanque de presión completamente, asegúrese de que el cable de alimentación esté desconectado y que la unidad tenga tiempo de enfriarse antes de realizar cualquier operación de mantenimiento o servicio.

PROBLEMA	CAUSA	SOLUCIÓN
La bomba tarda en acumular presión en el tanque	Fugas excesivas en el sistema	Repare las fugas de aire
	Empaquetadura rota	Reemplace las empaquetaduras del cabezal
	Válvula de lengüeta rota	Reemplace las válvulas de lengüeta
	Filtro de admisión obstruido	Limpie o reemplace el elemento de admisión
	Fuga en el regulador	Reemplace el regulador
Consumo excesivo de aceite	Demasiado aceite en el cárter	Drene hasta alcanzar el nivel adecuado
	Viscosidad inadecuada del aceite	Reemplácelo por el aceite adecuado
	Ventilación del cárter obstruida	Reemplace la varilla de medición del nivel de aceite o el tapón de llenado de aceite/ventilación del cárter
	Filtro de admisión sucio o tapado	Limpie o reemplace el filtro de admisión
	Anillos de pistón desgastados	Lleve la unidad a reparación
	Cilindro rayado	Lleve la unidad a reparación
Ruido de golpeteo	Problema interno de la bomba	Lleve la unidad a reparación
La compresora se sobrecalienta	Ventilación deficiente	Cambie la ubicación de la compresora
	Problema interno de la bomba	Lleve la unidad a reparación
El motor eléctrico no funciona, ni siquiera emite un sonido	Accionamiento de la sobrecarga térmica	Localice y presione el botón de reinicio
	Dispositivo de reinicio roto físicamente	Reemplace el dispositivo de sobrecarga/reinicio
	Conectores del motor o conexión eléctrica flojos	Localice y corrija las conexiones eléctricas flojas
	Corto en el cable de alimentación	Reemplace el cable de alimentación
El motor acciona el botón de sobrecarga/reinicio	El motor arranca o se detiene excesivamente	Instale un kit de doble control o velocidad constante
	El dispositivo de sobrecarga es defectuoso o débil	Reemplace el dispositivo de sobrecarga
	Calibre inadecuado del cable de extensión	Utilice longitudes mayores de la manguera de aire o un cable más grueso
	Pernos de motor barridos o flojos	Vuelva a ajustar los pernos o reemplácelos si están barridos
	Grietas en el buje o la caja	Lleve la unidad a reparación



Garantía

Associate Engineering Corporation garantiza que todas las compresoras ROLAIR estarán libres de defectos de material y mano de obra durante un periodo de 12 meses a partir de la fecha de la compra original al minorista, o 18 meses a partir de la fecha de fabricación, lo que ocurra primero.

Cuando se informe cualquier inconformidad del producto con esta garantía dentro del periodo mencionado, la empresa corregirá dicha inconformidad mediante la reparación correspondiente o, a su propia discreción, mediante una parte de reemplazo con cotización F.O.B. en nuestra fábrica, después de que el comprador haya enviado la compresora a nuestra planta con flete prepagado.

Associate Engineering Corporation no será responsable de las reparaciones, reemplazos y ajustes de la compresora que no hayan sido autorizados, ni de los costos de mano de obra realizada por el comprador.

Esta garantía sustituye expresamente todas las demás garantías expresas, implícitas o legales (lo que incluye, entre otras, las garantías de comerciabilidad y de idoneidad para un fin específico) y todas las demás obligaciones y/o responsabilidades por parte de Associate Engineering Corporation. Associate Engineering Corporation tampoco asume, ni autoriza a otras personas para que asuman en su nombre, cualquier otra obligación o responsabilidad relacionada con cualquier compresora.

Associate Engineering Corporation no será responsable, en ningún caso, de los daños consecuentes, incidentales o especiales ni de la selección incorrecta de cualquier compresora para una aplicación específica.

Calidad

Associate Engineering Corporation está comprometida con el control de calidad continuo y la investigación exhaustiva de los productos que fabricamos. Nuestro propósito es brindarle a usted, el usuario, toda la experiencia e ingeniería disponible en la producción de cada pieza de equipo que producimos.

Nuestra línea cubre todas las necesidades del variado uso de aire de la actualidad. Confíe en ROLAIR para obtener las mejores y más recientes funciones que están disponibles en las compresoras modernas.

