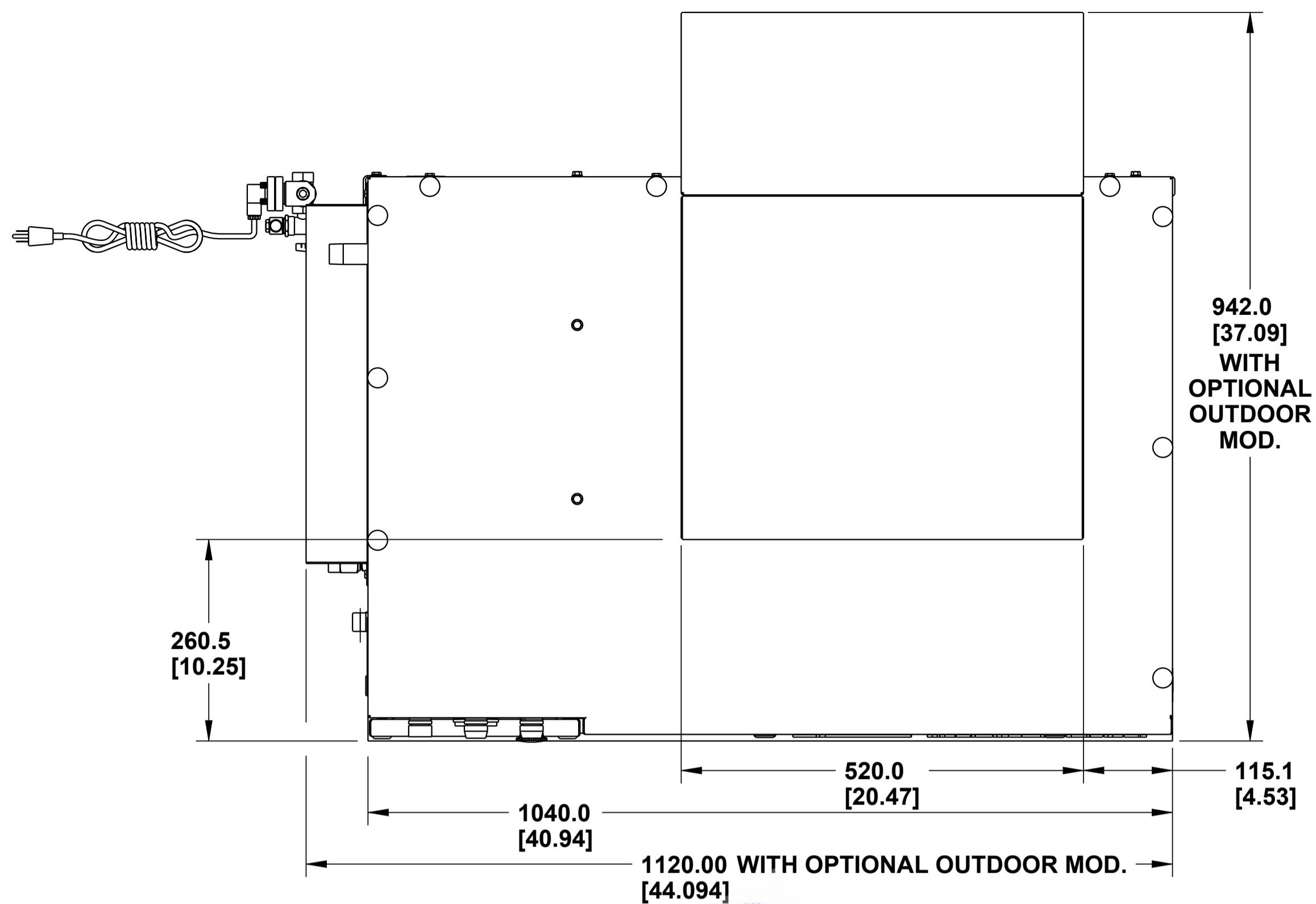
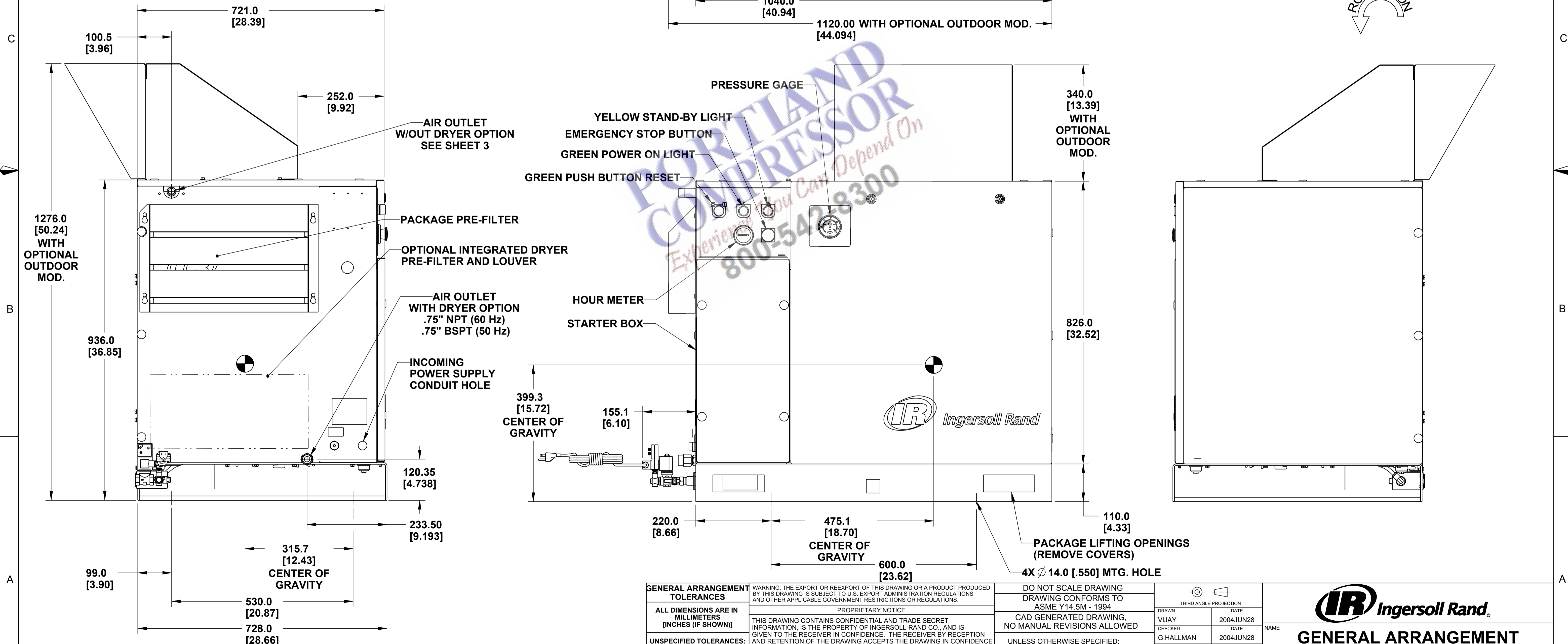


NOTES :

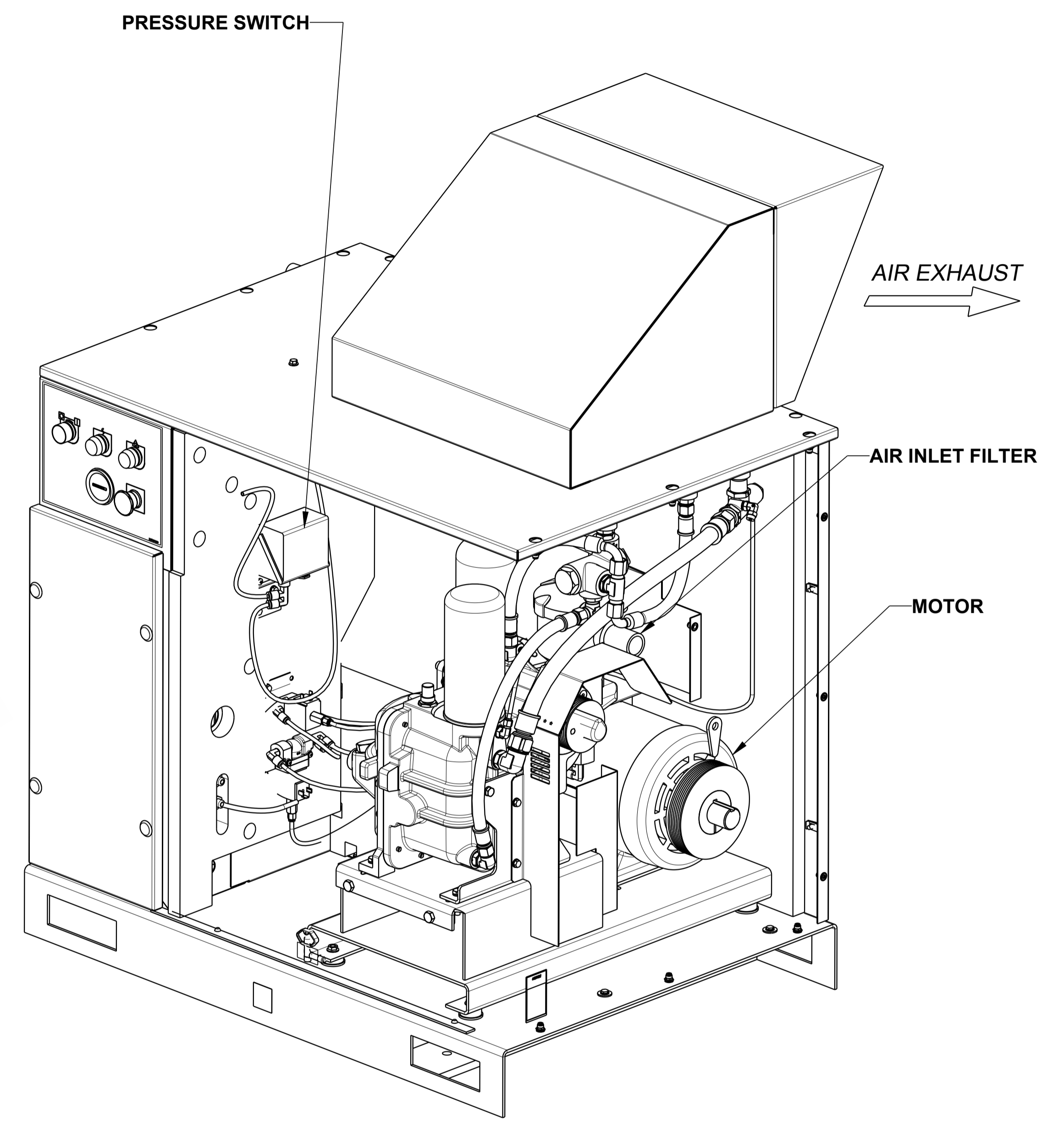
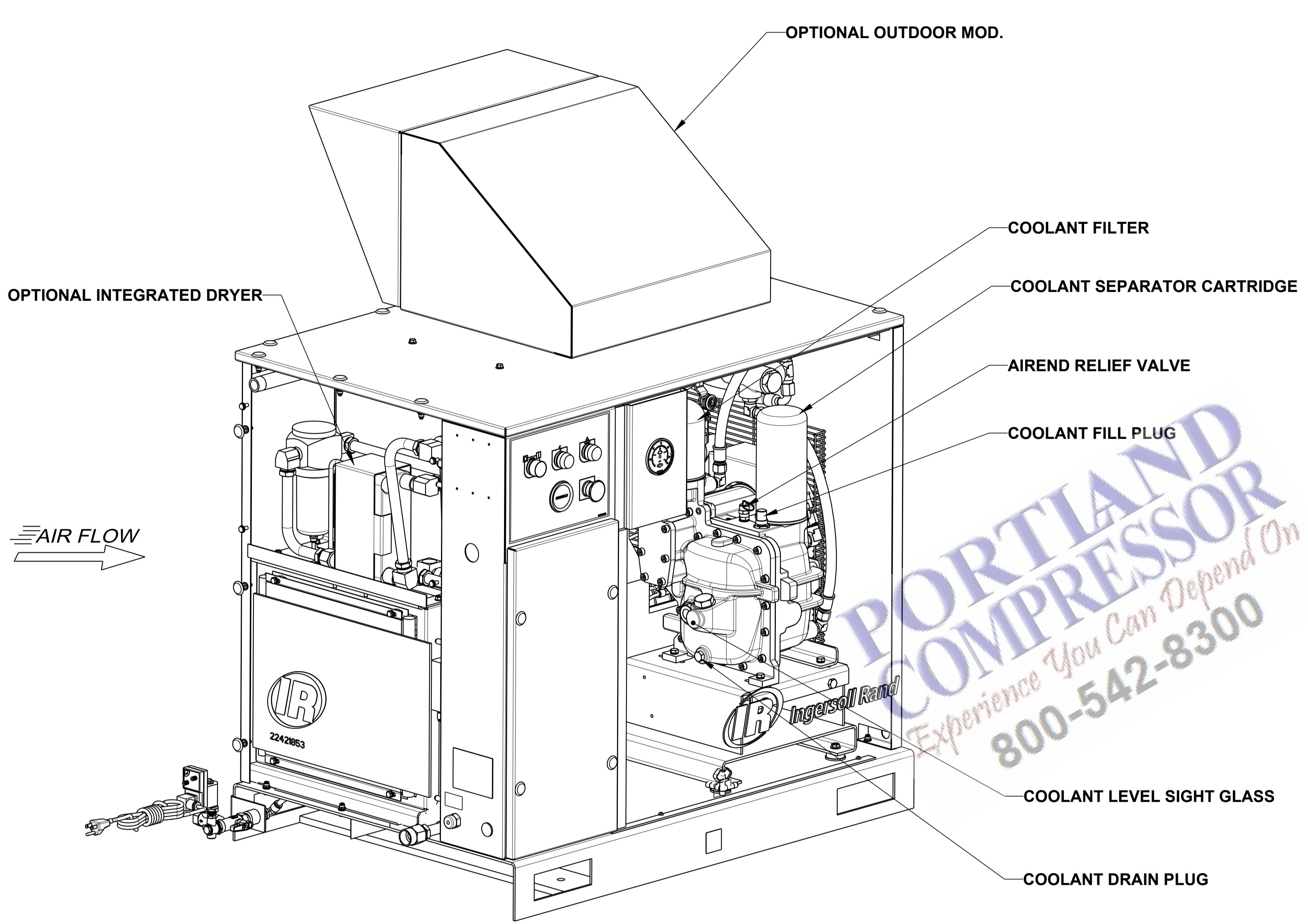
1. FOUNDATION OR FLOOR MUST BE LEVEL AND SUPPORT ALL MOUNTING BOLT LOCATIONS EQUALLY. IF NECESSARY, SHIM OR GROUT THE FOURTH BOLT LOCATION.
2. FOUNDATION BOLTS SHOULD PROJECT THRU NUTS A MINIMUM OF 13mm [.50"] TO ALLOW FOR LEVELING.
3. ALLOW A MINIMUM CLEARANCE OF 1100mm [42"] ON THE FRONT AND 920mm [36"] ON THE TOP, LEFT, RIGHT, AND REAR OF THE PACKAGE FOR PROPER AIR CIRCULATION AND SERVICEABILITY.
4. APPROXIMATE PACKAGE WEIGHT: 298 KG. [655 LBS.].



REVISIONS					
ZONE	REV	ECN	DESCRIPTION	DATE	APP'D
	A	71433	ORIGINAL RELEASE	2004JUN28	VIJAY B.WISE
	B	73832	ADD THIRD SHEET, UPDATED FORMAT ADD OPTIONAL OUTDOOR MOD. ADD CONTROL AIR CONDENSATE OUTLET ADD REVISION BLOCK	2006NOV30	M.CAIN C.FRAZIER
1-A7 1-D1 1-C4 1-B8 1-B6 2-C7 3-C8	C	76632	ADDED INCOMING POWER DIM'S: 70.9 AND 160.0 ADDED DISCHARGE TUBE OUTLET AND LOCATING DIMS: 233.5 AND 130.0. MOVED REVISION TABLE TO SHEET 1. ADDED DIMENSION 1120.0 [44.09] WITH OPTIONAL OUTDOOR MOD. ADDED DIMENSION 936.0 [36.85]. ADDED NOTE: OPTIONAL INTEGRATED DRYER PRE-FILTER AND LOUVER. UPDATED VIEW TO SHOW OPTIONAL INTEGRATED DRYER. ADDED AIR OUTLET DIM'S: 100.5 AND 902.0 UPDATED FORMAT	2007OCT22	R.REDMOND W.SORAH C.FRAZIER
1-A7	D	77114	AIR OUTLET W/DRYER DIM 120.35 WAS 130.00 ADDED NOTE FOR AIR OUTLET W/DRYER	2008MAY07	W.SORAH C.FRAZIER
	E	77147	UPDATED ALL VIEWS TO CURRENT CONFIGURATION	2008DEC19	W.SORAH C.FRAZIER
1-B4 1-A4	F	78580	UPDATED ALL VIEWS TO CURRENT CONFIGURATION LOGO DECAL 23038466 WAS 22913032. FORKLIFT DECAL 23548985 WAS 93171262	2010APR09	H.AVINASH C.FRAZIER
2-C2	G	78494	UPDATED VIEW OF PRESSURE SWITCH	2010JUN04	R. REDMON C.FRAZIER
1-A2 1-A3 2-C3 3-C6	H	1117762	UPDATED DRAWING TO LATEST FORMAT. REMOVED 3/8" BSPP CONDENSATE DRAIN. REMOVED DIMS 72.5 AND 128.0. REMOVED PILOT VALVE, FILTER AND RELATED PARTS. DIM 81.0 WAS 101.0.	2016OCT07	H.AVINASH C.FRAZIER

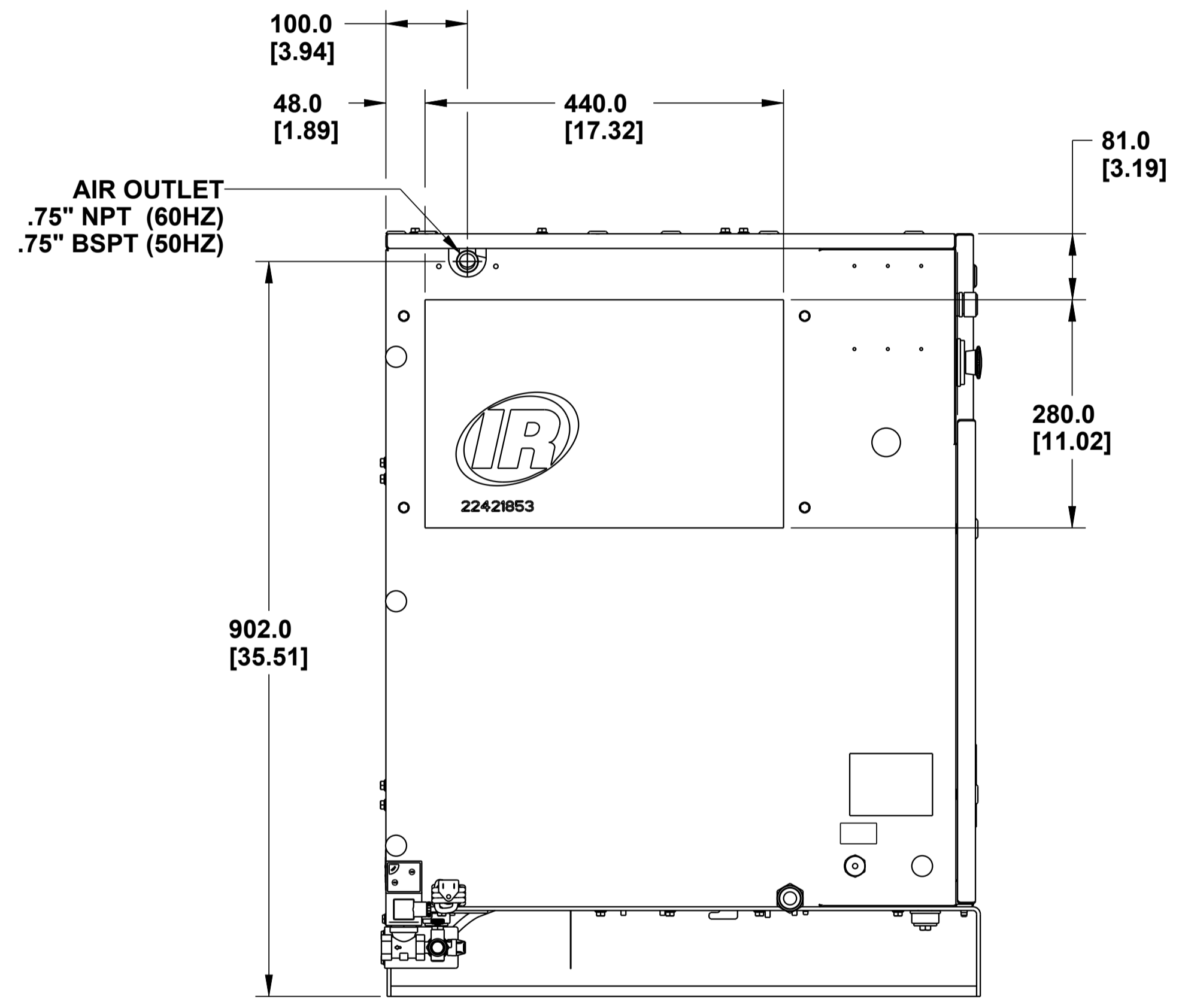


GENERAL ARRANGEMENT TOLERANCES	WARNING: THE EXPORT OR REEXPORT OF THIS DRAWING OR A PRODUCT PRODUCED BY THIS DRAWING IS SUBJECT TO U.S. EXPORT ADMINISTRATION REGULATIONS AND OTHER APPLICABLE GOVERNMENT RESTRICTIONS OR REGULATIONS.	DO NOT SCALE DRAWING DRAWING CONFORMS TO ASME Y14.5M - 1994																	
ALL DIMENSIONS ARE IN MILLIMETERS [INCHES (IF SHOWN)]	PROPRIETARY NOTICE THIS DRAWING CONTAINS CONFIDENTIAL AND TRADE SECRET INFORMATION, IS THE PROPERTY OF INGERSOLL-RAND CO., AND IS GIVEN TO THE RECEIVER IN CONFIDENCE. THE RECEIVER BY RECEPTION AND RETENTION OF THE DRAWING ACCEPTS THE DRAWING IN CONFIDENCE AND AGREES THAT, EXCEPT AS AUTHORIZED IN WRITING BY INGERSOLL-RAND CO., IT WILL (1) NOT USE THE DRAWING OR ANY COPY THEREOF OR THE CONFIDENTIAL OR TRADE SECRET INFORMATION THEREIN; (2) NOT COPY THE DRAWING; (3) NOT DISCLOSE TO OTHERS EITHER THE DRAWING OR THE CONFIDENTIAL OR TRADE SECRET INFORMATION THEREIN; AND (4) UPON COMPLETION OF THE NEED TO RETAIN THE DRAWING, OR UPON DEMAND, RETURN THE DRAWING, ALL COPIES THEREOF, AND ALL MATERIAL COPIED THEREFROM.	CAD GENERATED DRAWING. NO MANUAL REVISIONS ALLOWED																	
UNSPECIFIED TOLERANCES:		UNLESS OTHERWISE SPECIFIED: - REMOVE ALL BURRS AND SHARP CORNERS - WELD SYMBOLS TO BE IN ACCORDANCE WITH ANSI/AWS A2.4	<table border="1"> <tr> <th>DRAWN</th> <th>DATE</th> </tr> <tr> <td>VIJAY</td> <td>2004JUN28</td> </tr> <tr> <th>CHECKED</th> <th>DATE</th> </tr> <tr> <td>G.HALLMAN</td> <td>2004JUN28</td> </tr> <tr> <th>APPROVED</th> <th>DATE</th> </tr> <tr> <td>S.KUMAR</td> <td>2004JUN28</td> </tr> <tr> <td>B. WISE</td> <td>2004JUN28</td> </tr> </table>	DRAWN	DATE	VIJAY	2004JUN28	CHECKED	DATE	G.HALLMAN	2004JUN28	APPROVED	DATE	S.KUMAR	2004JUN28	B. WISE	2004JUN28		
DRAWN	DATE																		
VIJAY	2004JUN28																		
CHECKED	DATE																		
G.HALLMAN	2004JUN28																		
APPROVED	DATE																		
S.KUMAR	2004JUN28																		
B. WISE	2004JUN28																		
WHOLE : ± 13.0 [.50] .X : ± 6.0 [.25] ANGLES : ± 1°	Ingersoll-Rand Industrial Technologies	COPYRIGHT © 2016 Ingersoll Rand ALL RIGHTS RESERVED	<table border="1"> <tr> <th>SIZE</th> <th>ESTIMATED WEIGHT (KG UNLESS OTHERWISE SPECIFIED)</th> <th>DWG NO.</th> <th>REVISION</th> </tr> <tr> <td>A1</td> <td>406.6 kilogram</td> <td>22431811</td> <td>H</td> </tr> <tr> <th>SCALE</th> <th>MODEL</th> <th>PART NO.</th> <th>SHEET</th> </tr> <tr> <td>0.18</td> <td>UP-SERIES 5-15HP</td> <td></td> <td>1 of 3</td> </tr> </table>	SIZE	ESTIMATED WEIGHT (KG UNLESS OTHERWISE SPECIFIED)	DWG NO.	REVISION	A1	406.6 kilogram	22431811	H	SCALE	MODEL	PART NO.	SHEET	0.18	UP-SERIES 5-15HP		1 of 3
SIZE	ESTIMATED WEIGHT (KG UNLESS OTHERWISE SPECIFIED)	DWG NO.	REVISION																
A1	406.6 kilogram	22431811	H																
SCALE	MODEL	PART NO.	SHEET																
0.18	UP-SERIES 5-15HP		1 of 3																

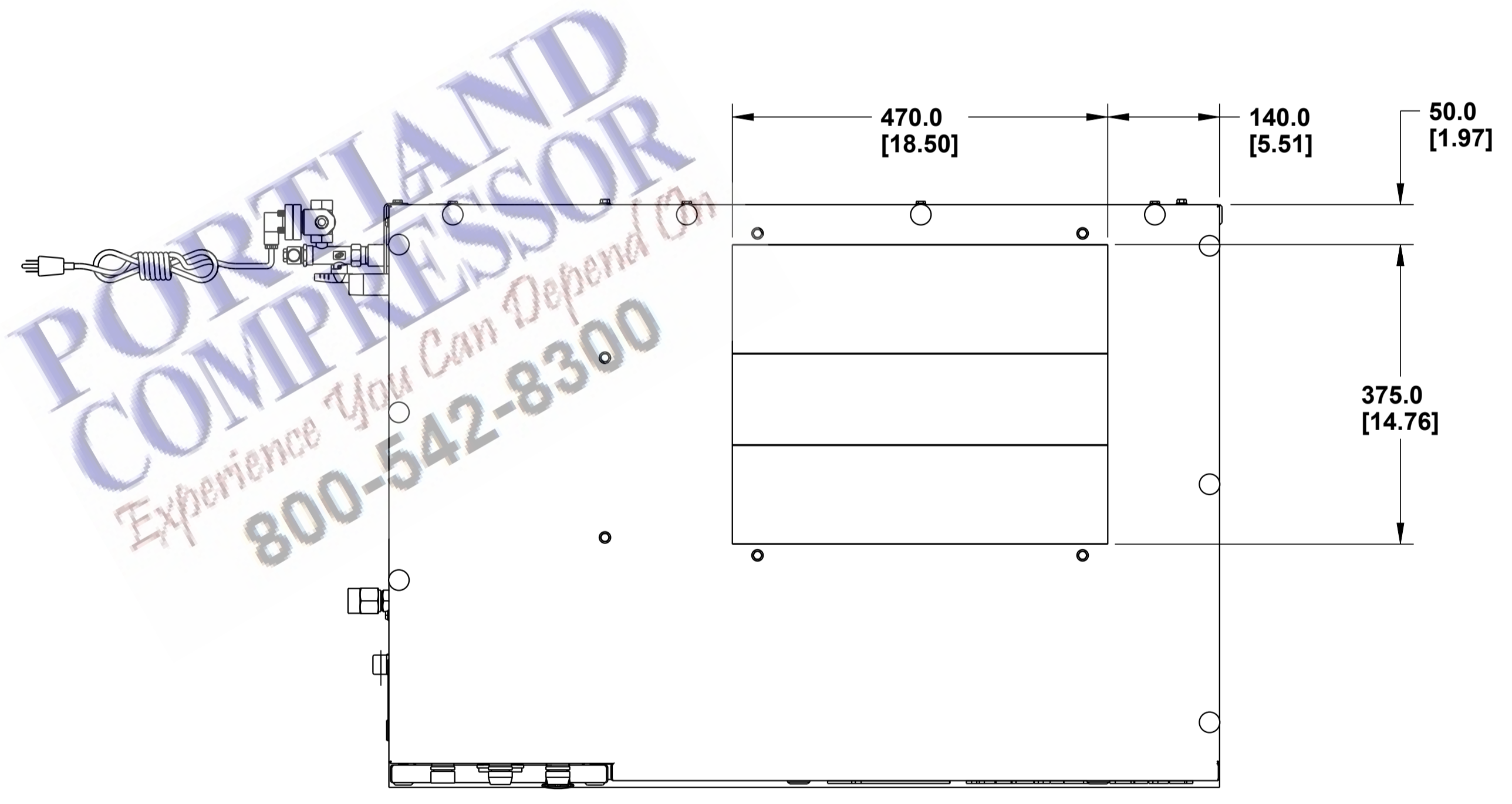


**PORTLAND
COMPRESSOR**
Experience You Can Depend On
800-542-8300

<small>PROPRIETARY NOTICE</small> THIS DRAWING CONTAINS CONFIDENTIAL AND TRADE SECRET INFORMATION IS THE PROPERTY OF INGERSOLL RAND CO. AND IS GIVEN TO THE RECEIVER IN CONFIDENCE. THE RECEIVER BY RECEIPT AND RETENTION OF THE DRAWING ACCEPTS THE DRAWING IN CONFIDENCE AND AGREES THAT, EXCEPT AS AUTHORIZED IN WRITING BY INGERSOLL RAND CO. IT WILL (1) NOT USE THE DRAWING OR ANY COPY THEREOF OR THE CONFIDENTIAL OR TRADE SECRET INFORMATION THEREIN, (2) NOT COPY THE DRAWING, (3) NOT DISCLOSE TO OTHERS EITHER THE DRAWING OR THE CONFIDENTIAL OR TRADE SECRET INFORMATION THEREIN, AND (4) UPON COMPLETION OF THE NEED TO RETAIN THE DRAWING, OR UPON DEMAND, RETURN THE DRAWING, ALL COPIES THEREOF, AND ALL MATERIAL COPIED THEREFROM.		NAME GENERAL ARRANGEMENT UP-SERIES BASEPLATE PKG.	
SIZE A1	DWG NO. 22431811	REVISION H	
SCALE 0.19 NOMENCLATURE		SHEET 2 of 3	



**LEFT VIEW WITHOUT
ODM ENCLOSURE**



TOP VIEW WITHOUT ODM ENCLOSURE

<small>PROPRIETARY NOTICE</small> <small>THIS DRAWING CONTAINS CONFIDENTIAL AND TRADE SECRET INFORMATION. IS THE PROPERTY OF INGERSOLL RAND CO. AND IS GIVEN TO THE RECEIVER IN CONFIDENCE. THE RECEIVER BY RECEIPT AND RETENTION OF THE DRAWING ACCEPTS THE DRAWING IN CONFIDENCE AND AGREES THAT, EXCEPT AS AUTHORIZED IN WRITING BY INGERSOLL RAND CO. IT WILL (1) NOT USE THE DRAWING OR ANY COPY THEREOF OR THE CONFIDENTIAL OR TRADE SECRET INFORMATION THEREIN, (2) NOT COPY THE DRAWING, (3) NOT DISCLOSE TO OTHERS EITHER THE DRAWING OR THE CONFIDENTIAL OR TRADE SECRET INFORMATION THEREIN, AND (4) UPON COMPLETION OF THE NEED TO RETAIN THE DRAWING, OR UPON DEMAND, RETURN THE DRAWING, ALL COPIES THEREOF, AND ALL MATERIAL COPIED THEREFROM.</small>		<small>NAME</small> GENERAL ARRANGEMENT UP-SERIES BASEPLATE PKG.		
<small>SIZE</small> A1	<small>DWG NO.</small> 22431811	<small>REVISION</small> H		
<small>SCALE</small> 0.18	<small>NOMENCLATURE</small>	<small>SHEET</small> 3 of 3		