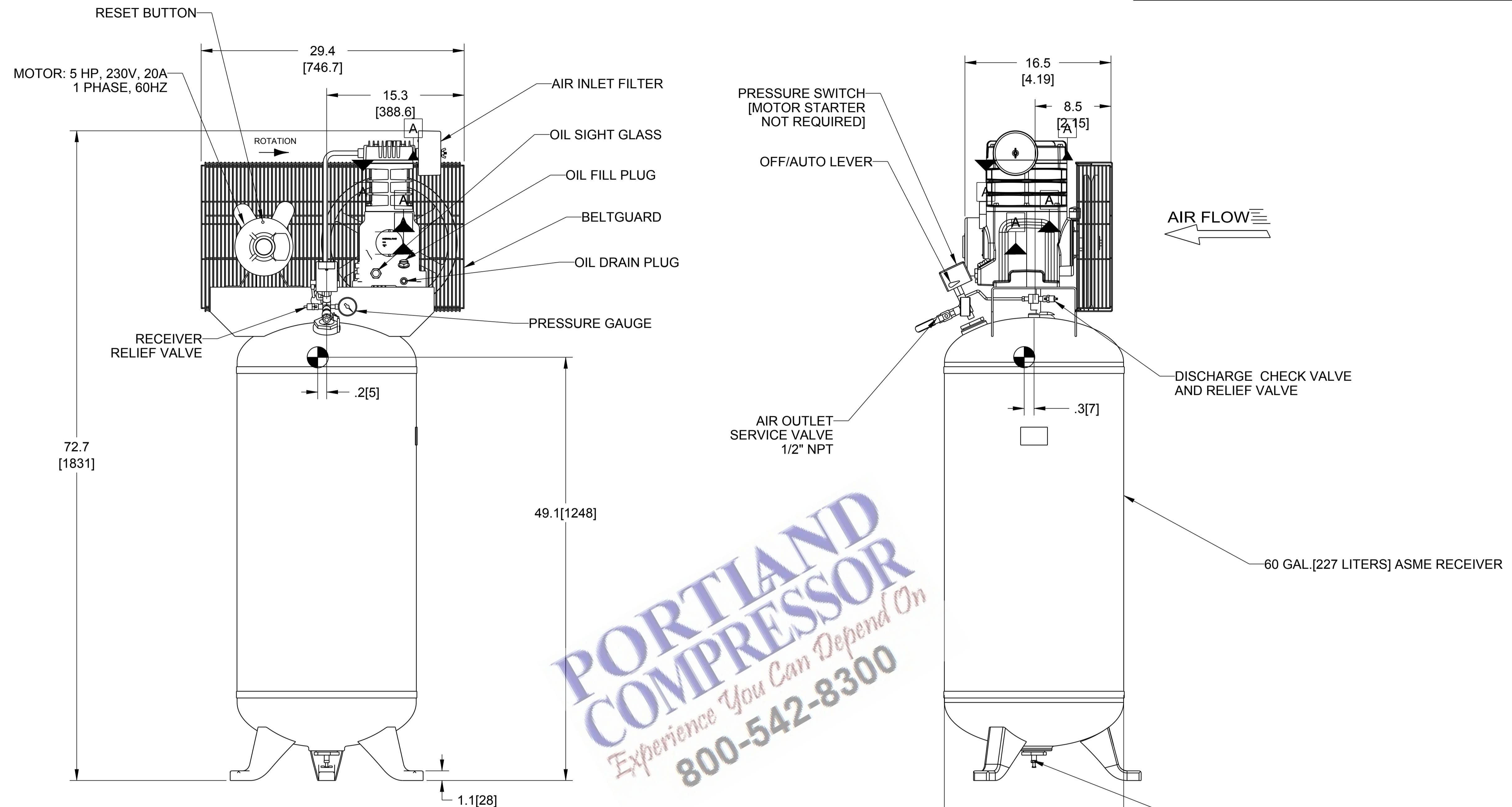
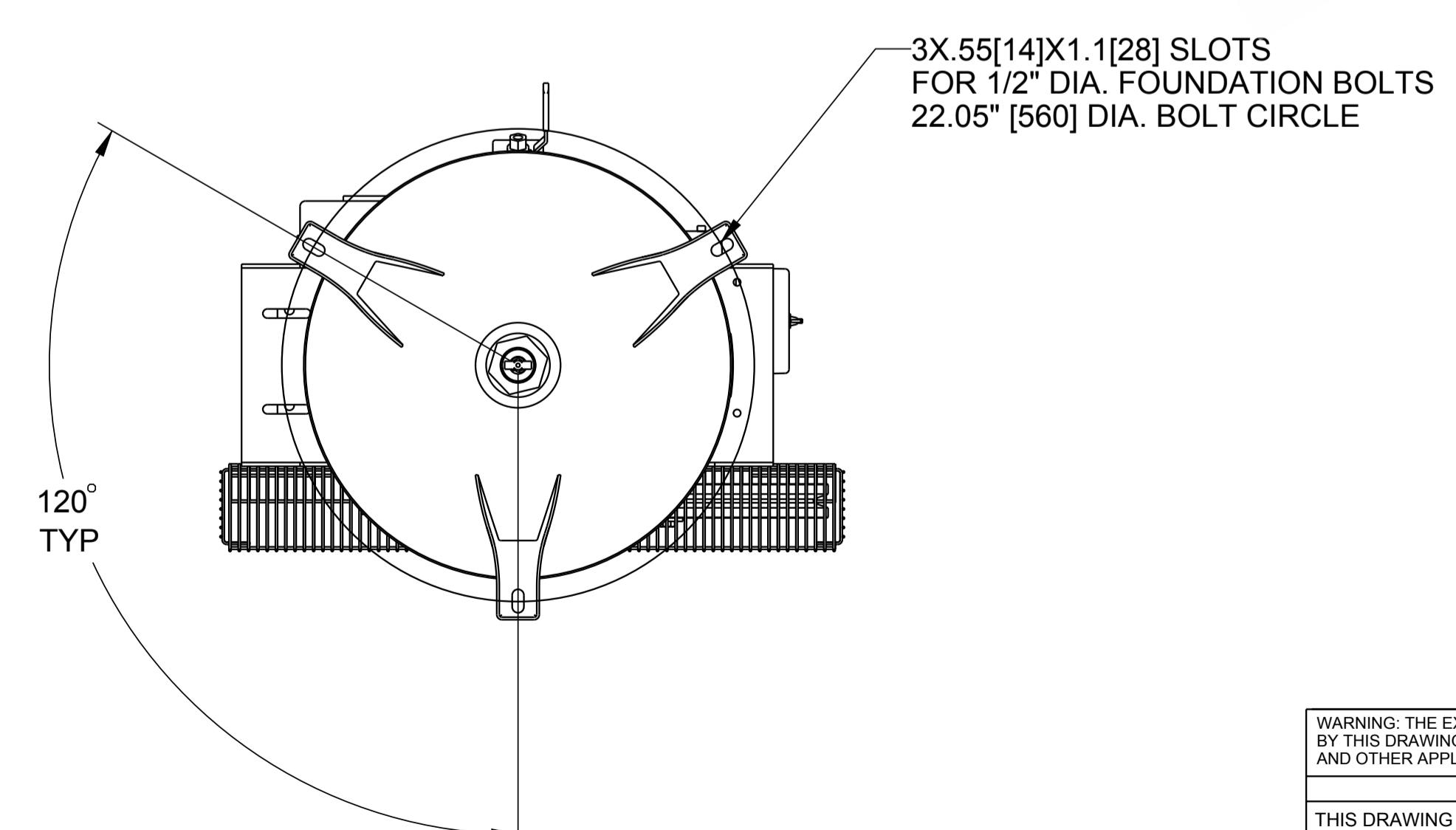


REVISIONS					
ZONE	REV	ECN	DESCRIPTION	DATE	APPROVED
	A	09R00565	ORIGINAL RELEASE	2009OCT08	G.Tungate
	B	1051472	Weight 310.0 LBS./115.7Kg was 787.4LBS./357.2 KG	2016JUL06	G.Levi



PORTLAND COMPRESSOR
Experience You Can Depend On
800-542-8300



- NOTES:
1. FOUNDATION OR FLOOR MUST BE LEVEL AND SUPPORT ALL FEET EQUALLY; IF NECESSARY SHIM OR GROUT THE THIRD FOOT.
 2. FOUNDATION BOLTS SHOULD PROJECT THRU NUTS AT LEAST 1/2" [13] TO ALLOW FOR LEVELING.
 3. ALLOW AT LEAST 12.00 [305] CLEARANCE MIN. ON ALL SIDES FOR PROPER AIR CIRCULATION.
 4. DIMENSIONS IN [] ARE MILLIMETER DIMENSIONS UNLESS OTHERWISE SPECIFIED.
 5. ALL UNSPECIFIED TOLERANCES: XX = .25 [6]
X = .50 [13]
 6. MAX OPERATING PRESSURE: 135 PSIG [931 kPa]

WARNING: THE EXPORT OR REEXPORT OF THIS DRAWING OR A PRODUCT PRODUCED BY THIS DRAWING IS SUBJECT TO U.S. EXPORT ADMINISTRATION REGULATIONS AND OTHER APPLICABLE GOVERNMENT RESTRICTIONS OR REGULATIONS.

PROPRIETARY NOTICE

THIS DRAWING CONTAINS CONFIDENTIAL AND TRADE SECRET INFORMATION, IS THE PROPERTY OF INGERSOLL-RAND CO., AND IS GIVEN TO THE RECEIVER IN CONFIDENCE. THE RECEIVER BY RECEPTION AND RETENTION OF THE DRAWING ACCEPTS THE DRAWING IN CONFIDENCE AND AGREES THAT, EXCEPT AS AUTHORIZED IN WRITING BY INGERSOLL-RAND CO., IT WILL (1) NOT USE THE DRAWING OR ANY COPY THEREOF OR THE CONFIDENTIAL OR TRADE SECRET INFORMATION THEREIN; (2) NOT COPY THE DRAWING; (3) NOT DISCLOSE TO OTHERS EITHER THE DRAWING OR THE CONFIDENTIAL OR TRADE SECRET INFORMATION THEREIN; AND (4) UPON COMPLETION OF THE NEED TO RETAIN THE DRAWING, OR UPON DEMAND, RETURN THE DRAWING, ALL COPIES THEREOF, AND ALL MATERIAL COPIED THEREFROM.

DO NOT SCALE DRAWING
 DRAWING CONFORMS TO ASME Y14.5M - 1994

CAD GENERATED DRAWING.
 NO MANUAL REVISIONS ALLOWED

UNLESS OTHERWISE SPECIFIED:
 - REMOVE ALL BURRS AND SHARP CORNERS
 - WELD SYMBOLS TO BE IN ACCORDANCE WITH ANSI/AWS A2.4

COPYRIGHT © 2016
 Ingersoll Rand
 ALL RIGHTS RESERVED

THIRD ANGLE PROJECTION	
DRAWN	DATE
G.Tungate	2009OCT08
CHECKED	DATE
D.Adams	2009OCT08
APPROVED	DATE
J.Ballard	2009OCT08
DRAWING TYPE	
Other	
NOMENCLATURE	

IR Ingersoll Rand

NAME: **GENERAL ARRANGEMENT SS5L5**

SIZE: A1	ESTIMATED WEIGHT (KG UNLESS OTHERWISE SPECIFIED): 310 Lbs./115.7Kg	PART NO.: 23528946	REVISION: B
SCALE: 0.06	MODEL:	SHEET: 1	OF 1