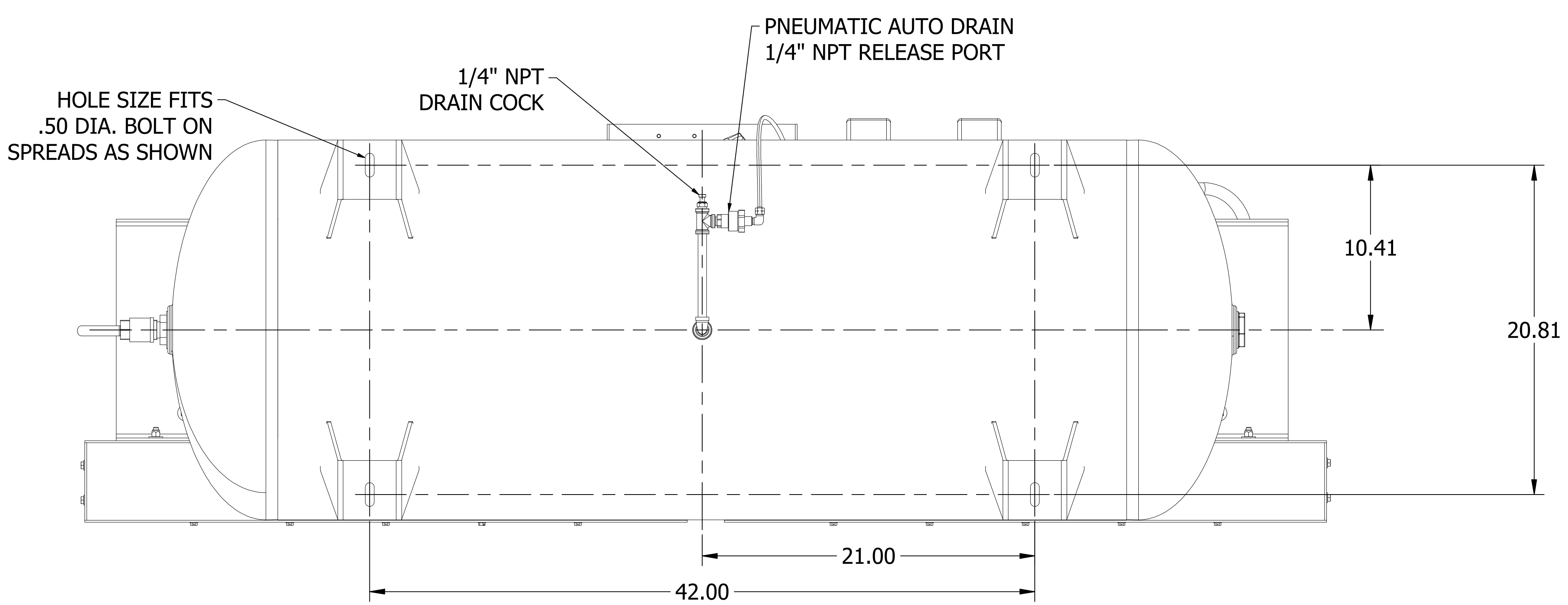
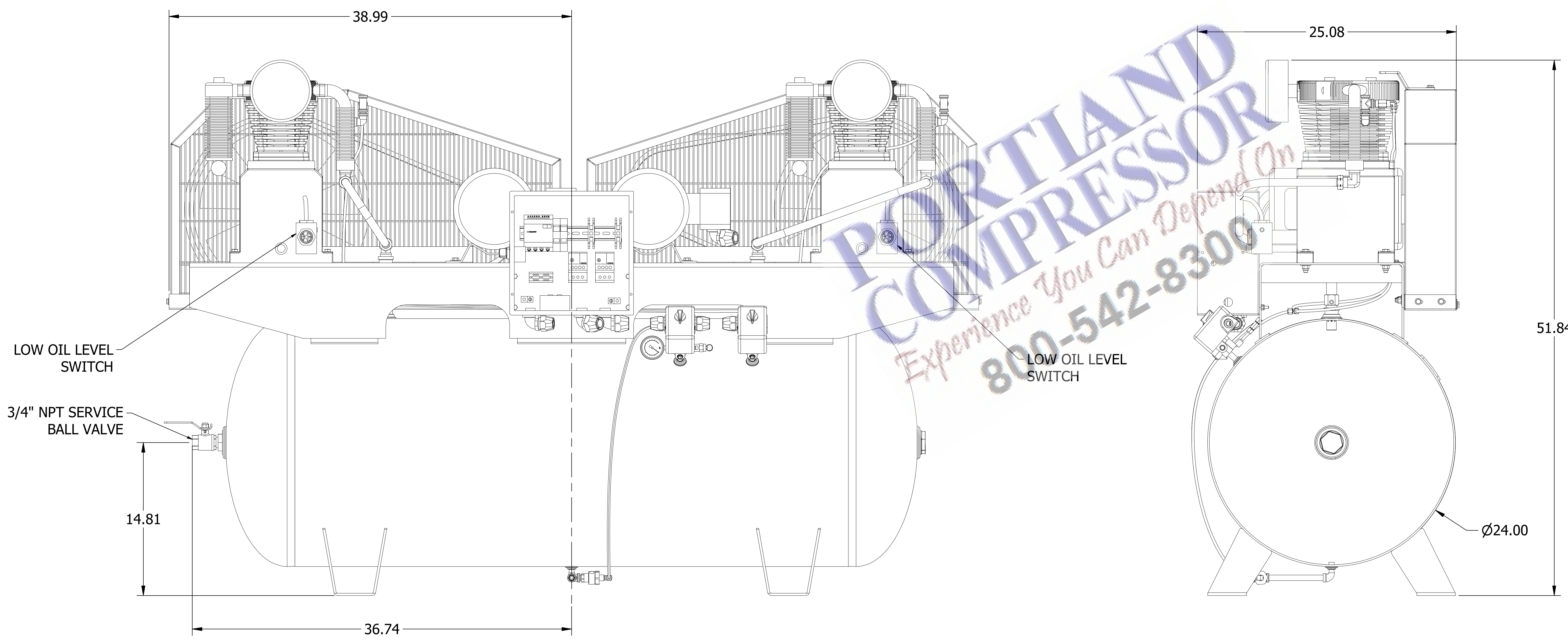
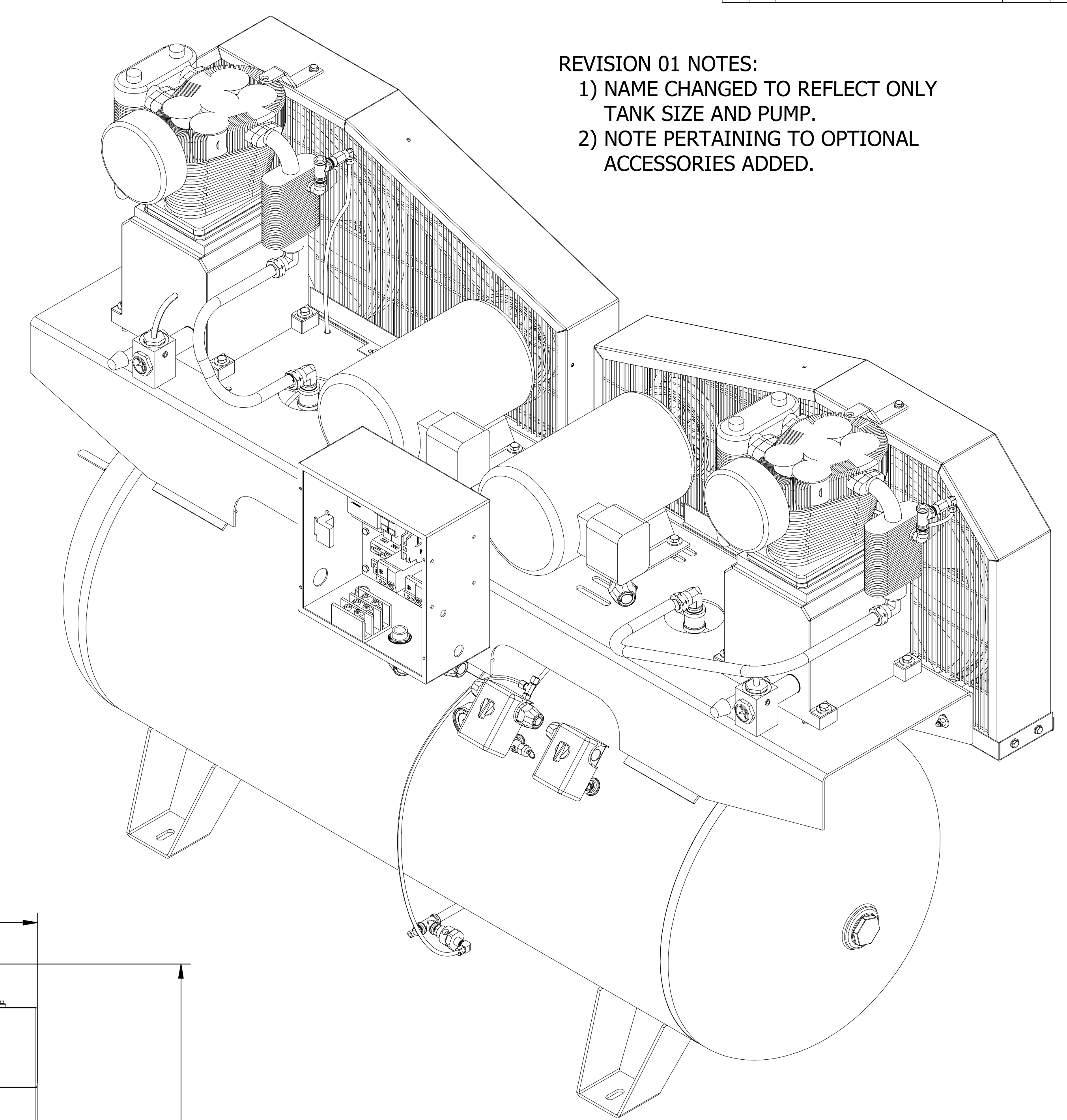
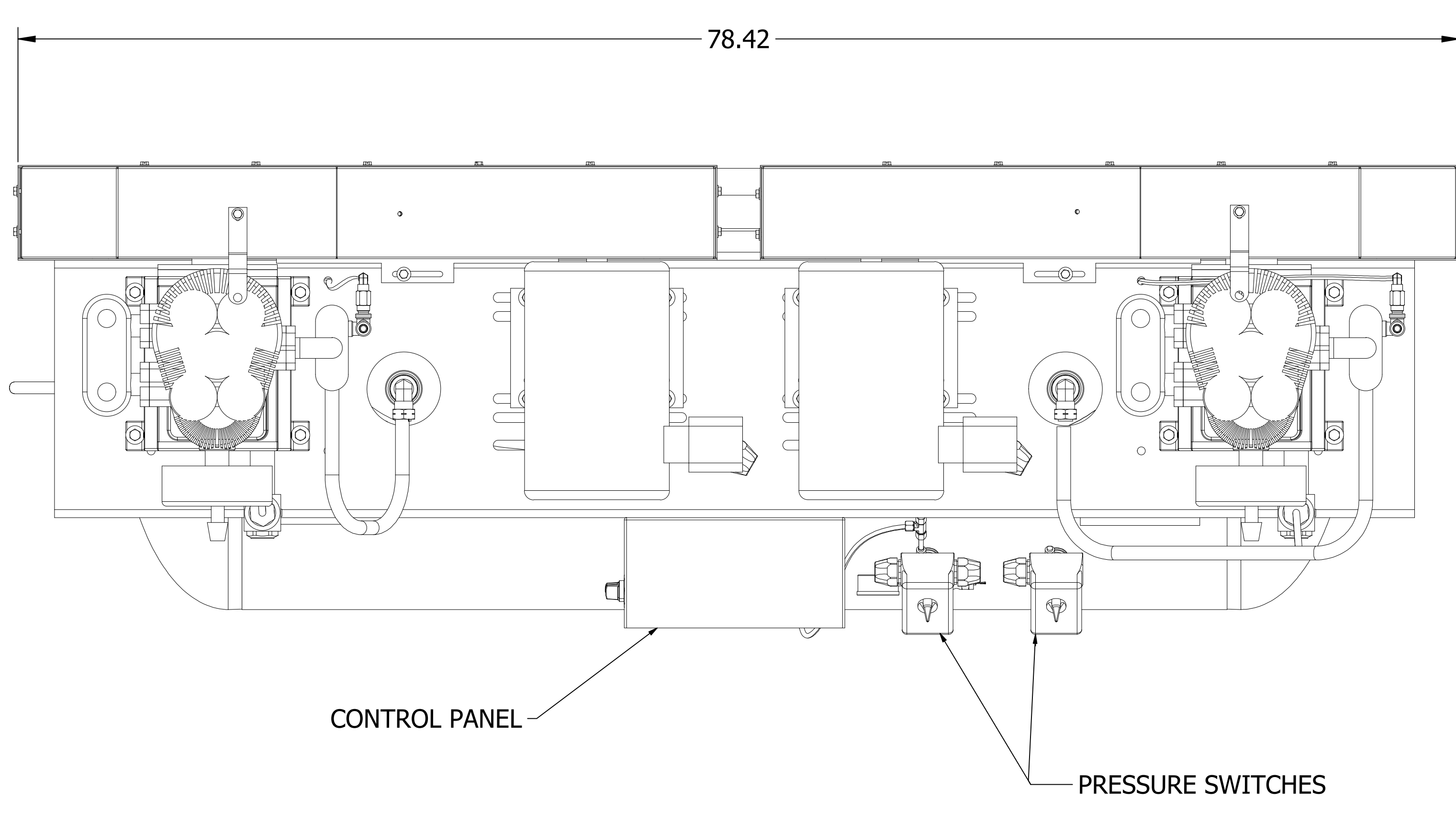


Ed.	Rev.	Description	Date	Intr./Appr.
00.00		SEE REVISION 01 NOTES	09/22	JW

REVISION 01 NOTES:
 1) NAME CHANGED TO REFLECT ONLY TANK SIZE AND PUMP.
 2) NOTE PERTAINING TO OPTIONAL ACCESSORIES ADDED.



NOTES:
 1) ALL DIMENSIONS GIVEN IN INCHES.
 2) ALLOW A MINIMUM OF 12 INCHES ON ALL SIDES FOR SERVICE AND COOLING.
 3) OPTIONAL ACCESSORIES ARE SHOWN. UNIT MAY NOT INCLUDE FEATURES DEPICTED.

Name: DWG_DIM.C1.120D		Part Number: 202203572	
Material: Not Applicable		Internal: INV	
Finish: Not Applicable		Scale: 1:5	
Drawn by: ufybweaker	Family: Make From	E: Similar to	Drawn by: LUTY
Version: 01	Blank: wt	Replaces:	Sheet: 1 / 1
Parent 3D model:	Ed: Version 3D	Dis: checked: Preliminary	Date: 11/29/2021
2022035572		2022035573	