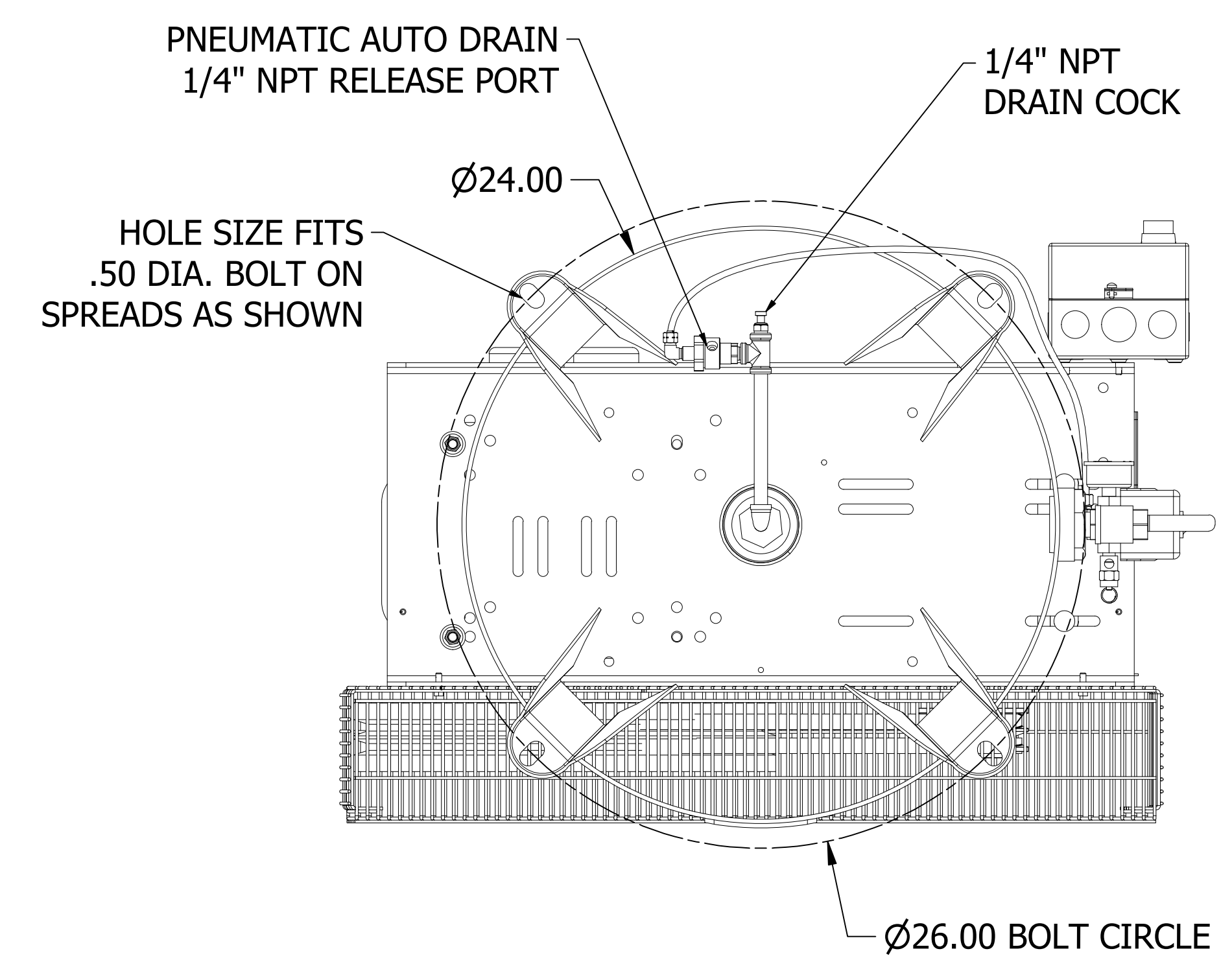
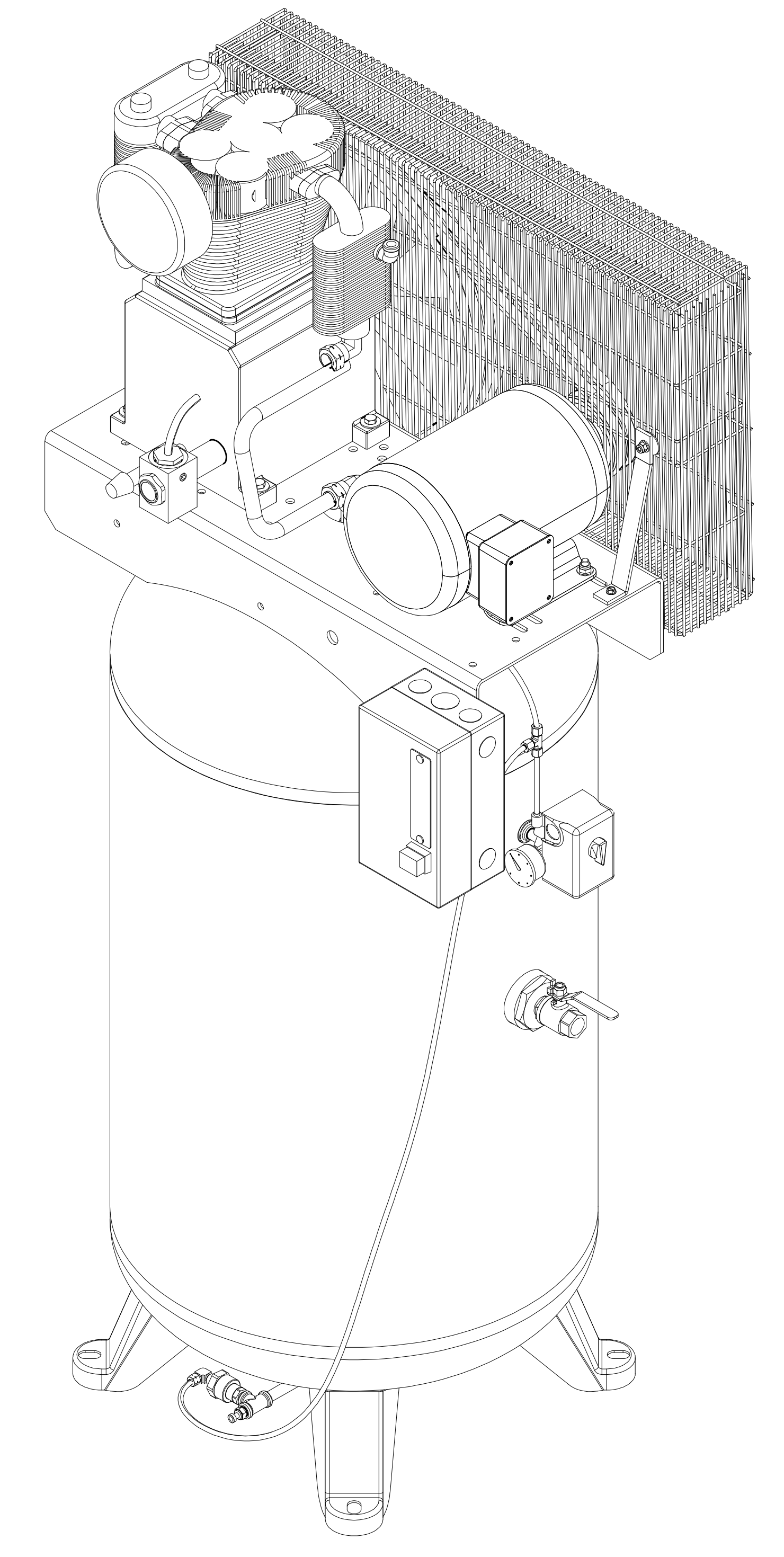
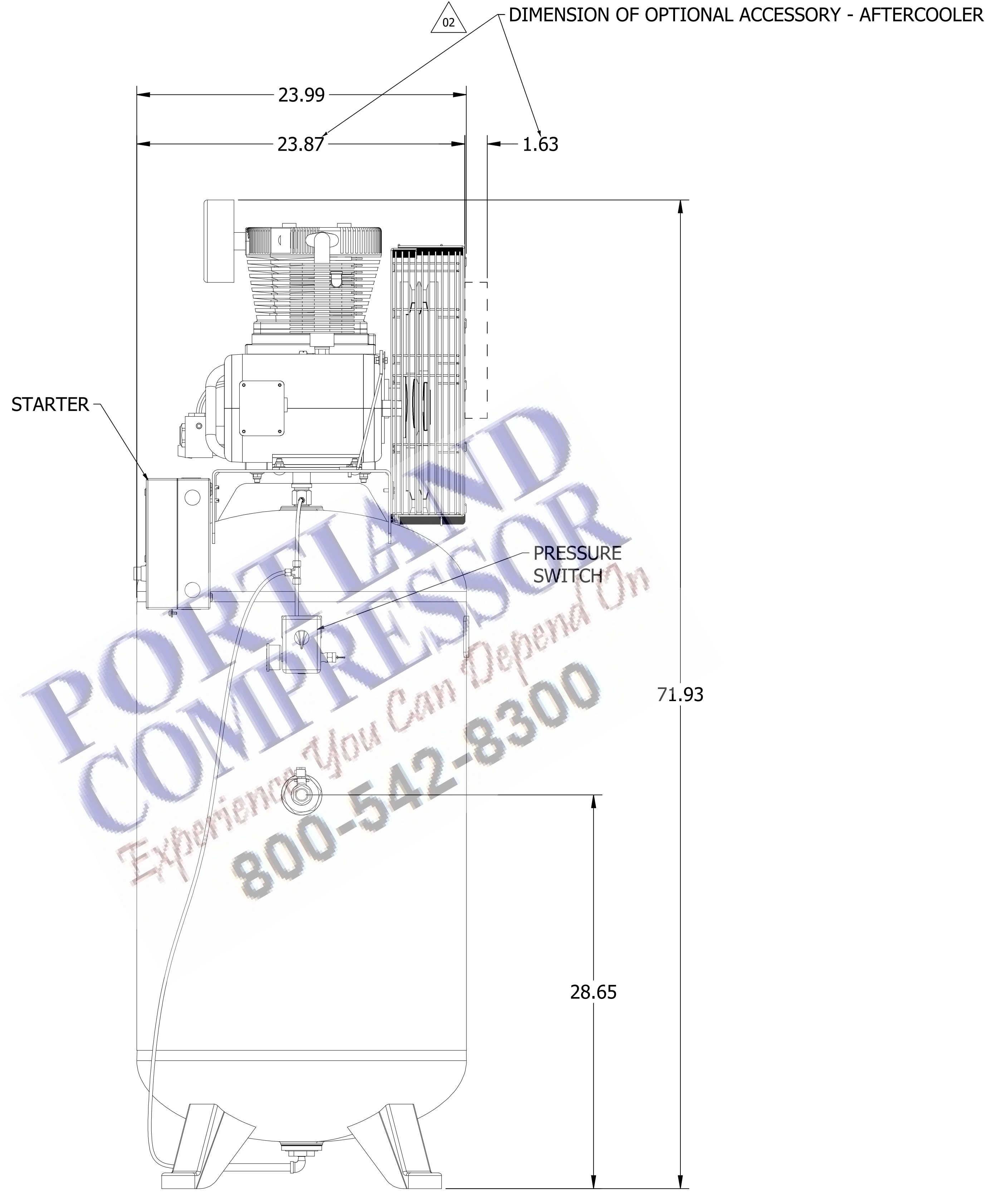
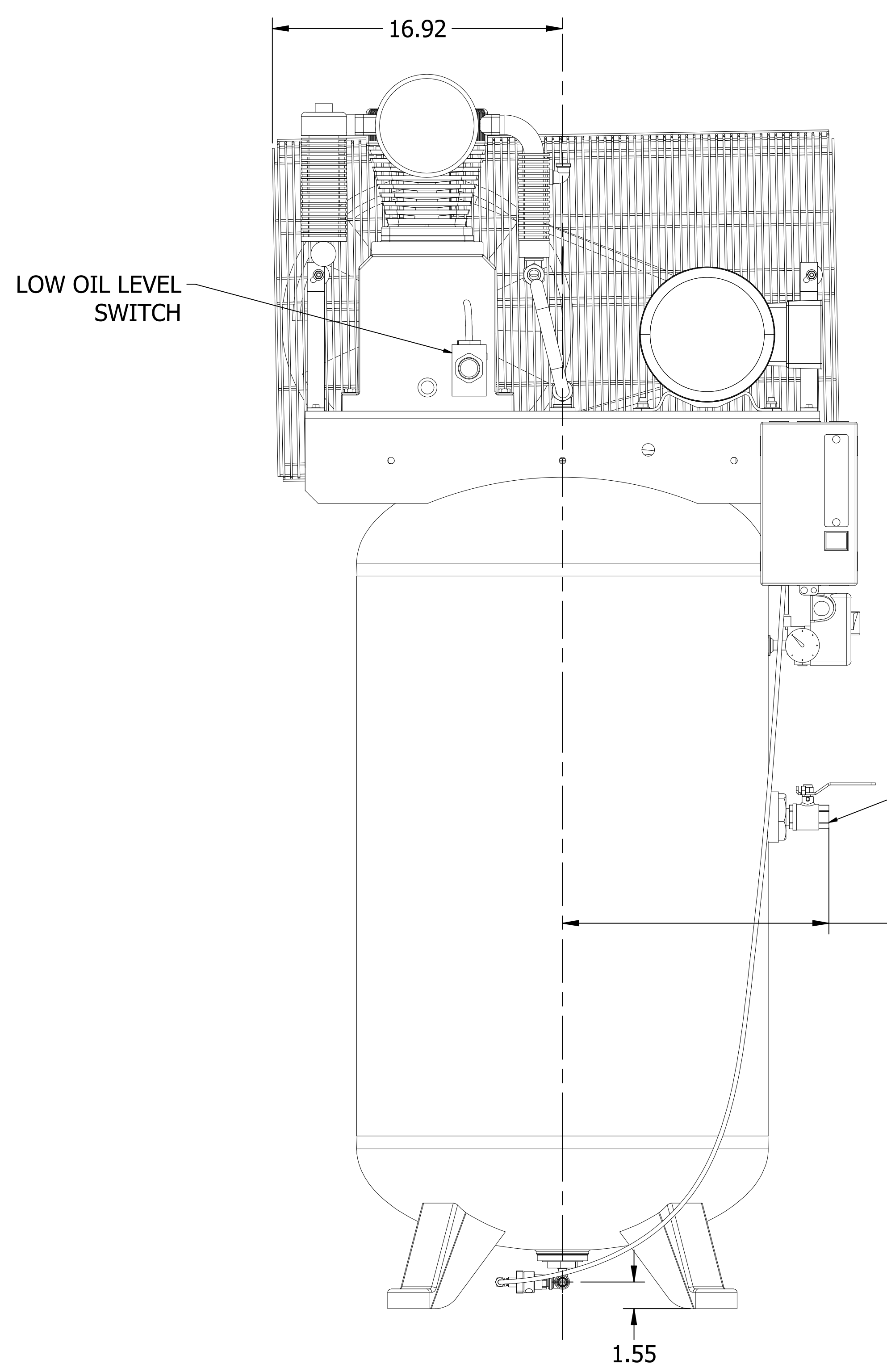
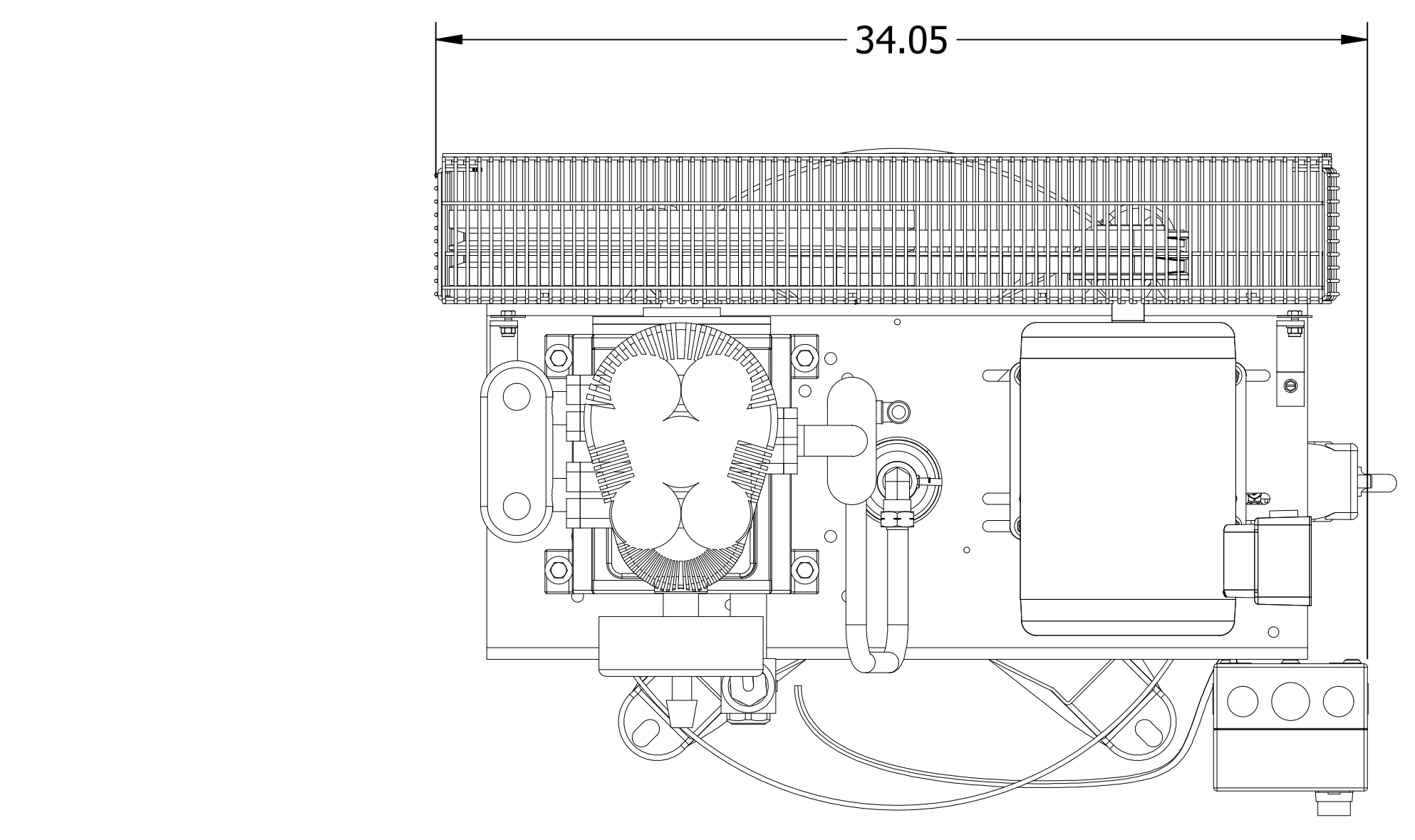


Ed	Rev	Description	Date	Intr./Appr.
01.00		SEE REVISION 02 NOTES	09/22	JW

REVISION 02 NOTES:  
 1) NOTE PERTAINING TO OPTIONAL ACCESSORIES ADDED.  
 2) NAME WAS CHANGED TO REFLECT ONLY TANK SIZE AND PUMP.  
 3) DIMENSIONAL REPRESENTATION OF AFTERCOOLER ADDED



NOTES:  
 1) ALL DIMENSIONS GIVEN IN INCHES.  
 2) ALLOW A MINIMUM OF 12 INCHES ON ALL SIDES FOR SERVICE AND COOLING.  
 3) OPTIONAL ACCESSORIES ARE SHOWN. UNIT MAY NOT INCLUDE FEATURES DEPICTED.

Name: DWG.DIM.C1.80V		Part Number: 202203557	
Material: Not Applicable		Internal	
Finish: Not Applicable		INV	
Scale: 1:5	Family:	E Similar to:	Drawn by: LUTY
Drawn by: ufybweaker	Make From:	Replaces:	
Version: 01	Blank wt:	Date: 11/29/2021	Sheet: 1 / 1
Parent 3D model:	Ed. Version 3D:	For Approval	202203557

CONFIDENTIAL