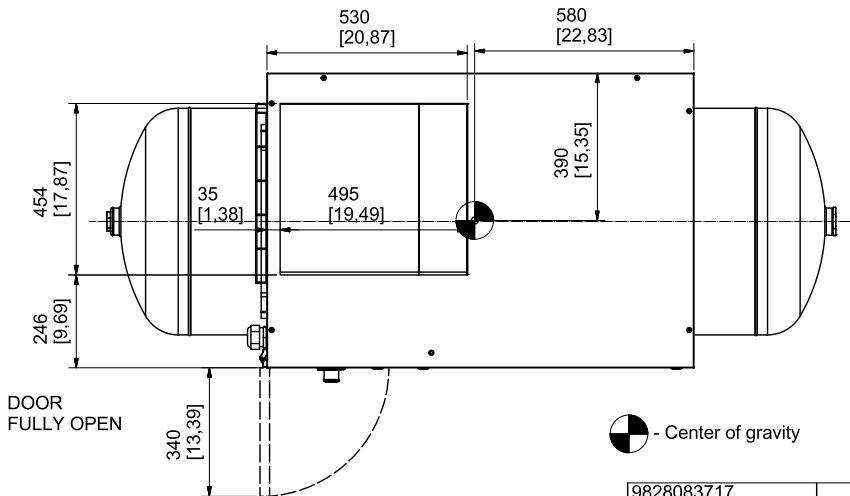
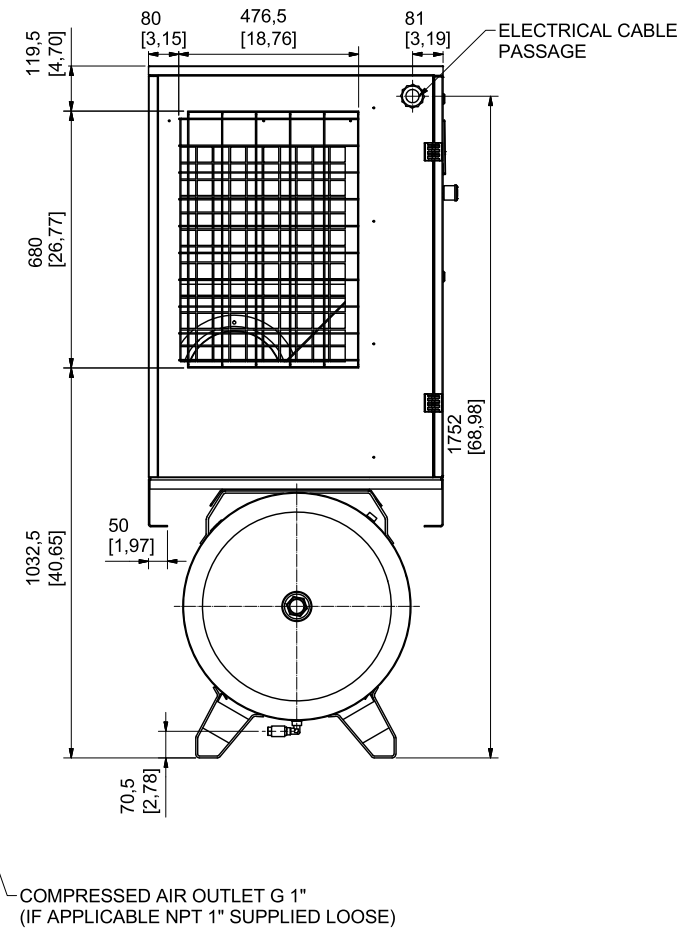
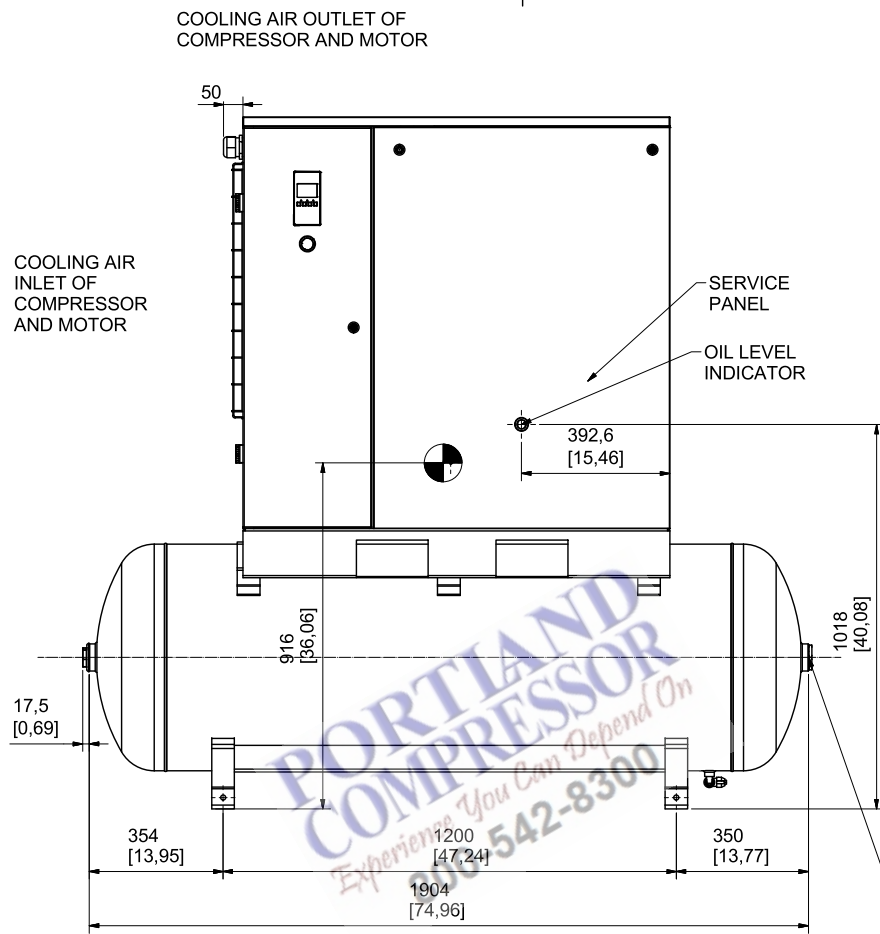
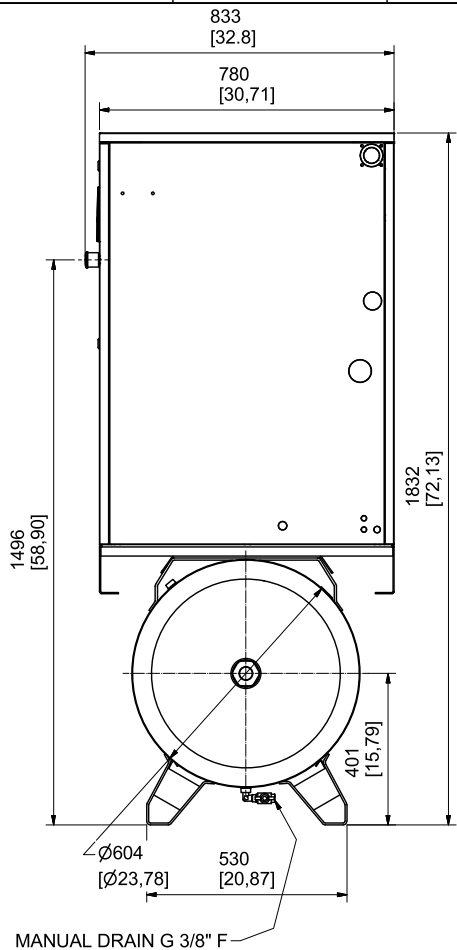


All materials supplied are in compliance with the requirements of the List of Prohibited Substances



ALL DIMENSIONS: mm [inch]

APPROX WEIGHT		
	50 (KG)	± 0 (lbs)
5 kW / 20HP	537	184
8,5 kW / 25 HP	545	202
22 kW / 30 HP	561	237

Tolerances, if not indicated, according to:									
Name		DIMENSION DRAWING C67 BELT PACK TM 500L			Confidentiality Class acc. to 1102 K				
Material		Not Applicable			Confidential				
Treatment		Not Applicable			INV				
Scale		1 : 10		Family		Compare			
Drawn by		caladanielt		Blank nr.		Replaces			
Drawing format		A2		Kg		Fini wt.		N/A	
STATUS		Des checked.		Prod checked.		Approved.		Date 09/04/2018	
Parent 3D model		Ed. Vers on 3D		9828083717		00.01		Approved	
Sheet		1 / 1		9828083717					

CONFIDENTIAL: This document is property of Atlas Copco AB and shall not be used or reproduced without our permission. It is intended for internal use only and is not to be distributed outside the company.

01	ADDED IMPERIAL MEASURE UNIT CID 26917 - DN 18062522	09/04/2018	adaniel
Ed	Position	Date	Intr./Appd.