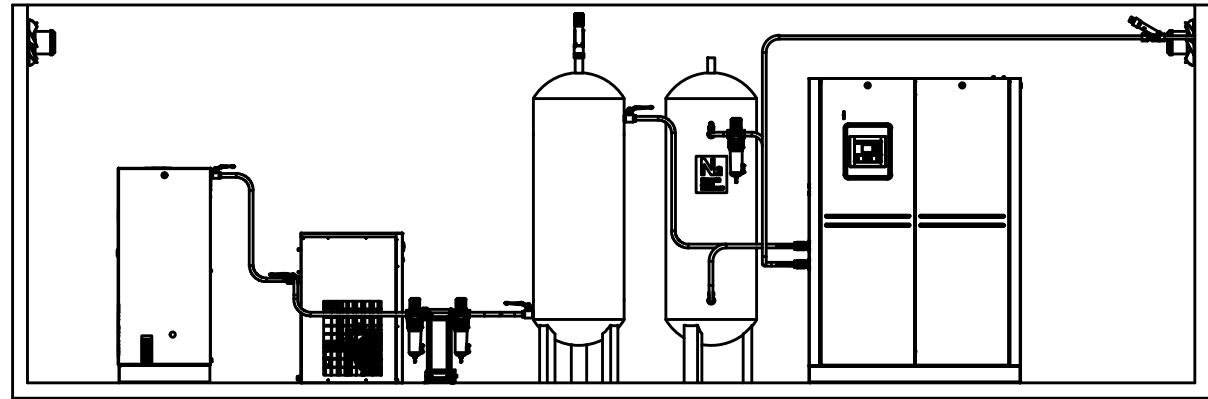
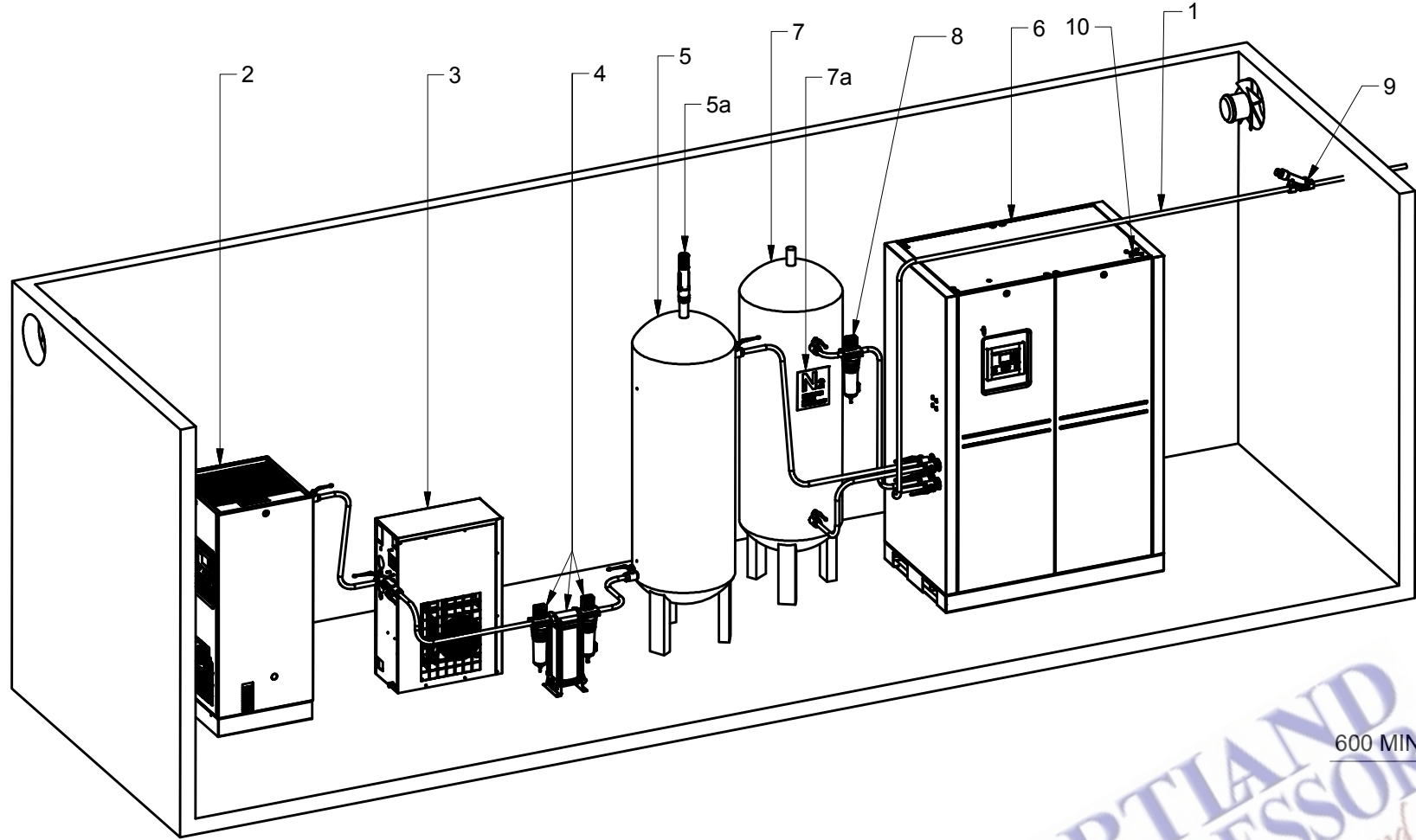
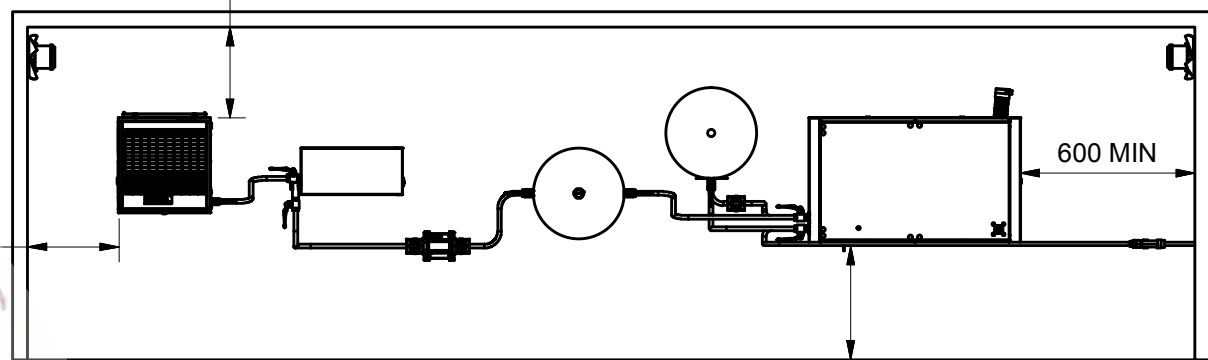


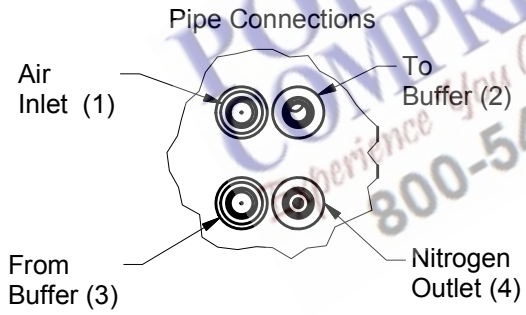
All materials supplied are in compliance with the requirements of the List of Prohibited Substances



Minimum free area to be reserved for the generator installation.



Legend	
1	Piping
2	Compressor
3	Dryer
4	Inlet filtration
5	Air receiver
5a	Air receiver safety valve
6	Nitrogen generator
7	Nitrogen receiver
7a	Nitrogen label
8	Outlet filtration
9	Needle valve
10	Exhaust



Notes:
 - Ventilation requirements: foresee adequate ventilation in the room (minimum 4 air changes per hour) or guide the exhaust gasses outside the room (for details see Instruction Book)
 - Consult the attached step-by-step instruction -02 for further details

Receiver sizes and Pipe connections							
PPNG HE	6-9	12-15	18-28	30-37	41-50	63	68
Air and N2 receiver size (L)	120	250	500	1000	1000	1500	2000
Nitrogen pipe diameter (4)	1/2"	1/2"	3/4"	1"	1"	1"	1"
Air and Buffer connection pipe diameter (1,2,3)	1/2"	3/4"	1"	1"	1 1/4"	1 1/2"	1 1/2"
Exhaust Connection < 3m	1 X DN70	1 X DN70	1 X DN70	1 X DN70	2 X DN70	2 X DN70	2 X DN70
Exhaust Connection > 3m	1 X DN100	1 X DN100	1 X DN100	1 X DN100	2 X DN100	2 X DN100	2 X DN100

Tolerances, if not indicated, according to:
 STANDARD CLASS

Name	INSTR. ASSEMBLY		PPNG HE		Secrety Class	
Material	Not Applicable				Confidential	
Treatment	Not Applicable				INV	
pneumatech	Scale	1:50	Family	A3 Compare		Drawing owner
	Drawn by	INEEXTgk	Blank nr.	Replaces		API
STATUS	Version Drwg	Blank wt	0 Kg	Fini wt.	0 Kg	Designation
Preliminary	Des checked.	Prod checked.	Approved.	Date	2017-08-21	Sheet 1 / 1 9829528446

CONFIDENTIAL: This document is our property and shall not without our permission be altered, copied, used for manufacturing or communicated to any other person or company.

Ed	Position	Modified from	Date	Intr./Appd.	Parent 3D model	Ed . Version 3D
			9/26/2017 3:25:34 PM		9829528446	