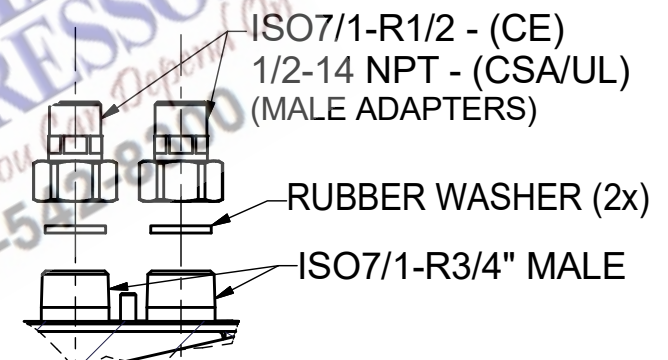
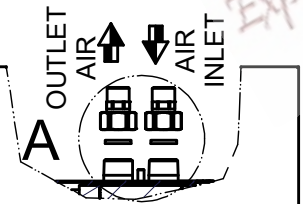
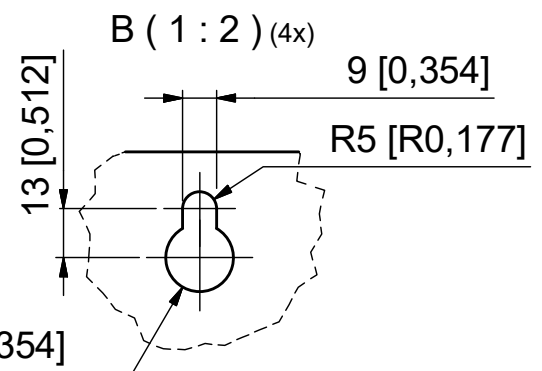
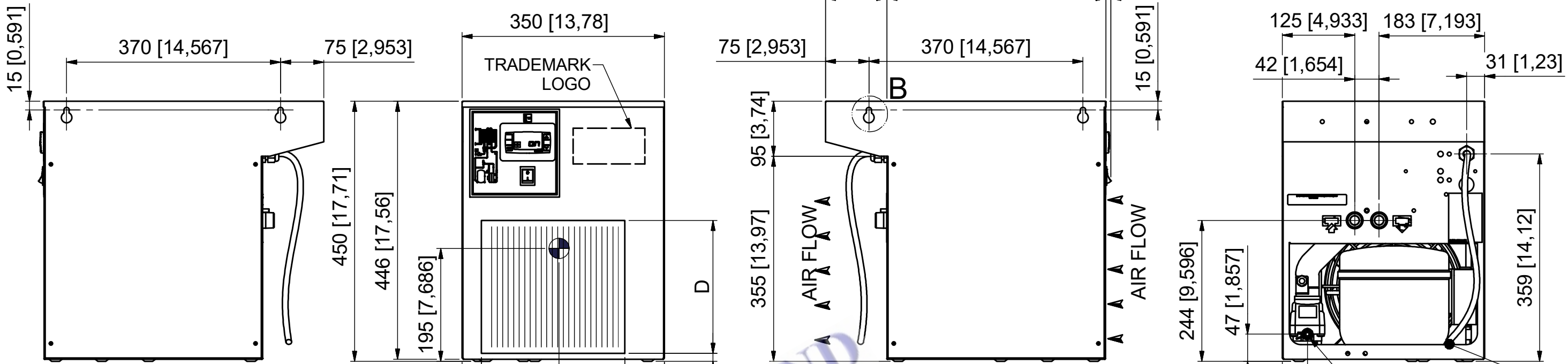
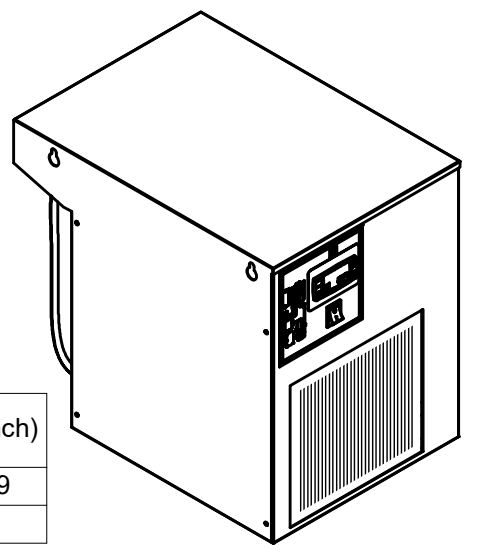


All materials supplied are in compliance with the requirements of the List of Prohibited Substances



CONDENSATE DRAIN OUTLET PIPE Ø int. 10mm / 0,39 inch
ELECTRICAL CABLE OUTLET



CENTER OF GRAVITY

05

DRYER VERSION	A (mm / inch)	B (mm / inch)	C (mm / inch)	D (mm / inch)
A/E 0-2 + B/BE0/1-1/2 MODEL	81 / 3,2	188 / 7,4	81 / 3,2	175 / 6,9
A/E 3-4 + B/BE 2/3-4 + H1 MODEL	34 / 1,3	248 / 9,7	68 / 2,7	230 / 9

Tolerances, if not indicated, according to:				
Name		DIMENS. DRAWING		A/E0-4, B/BE0/1-4, H1 MB
Material		Not applicable		Confidentiality Class acc. to 1102 K
Treatment		Not Applicable		Confidential
Scale		1:5	Family	DRYERS A/E0-4 MB
Drawn by		sgraser	Blank nr.	Compare
Drawing format		A3	Fin. wt.	Replaces
STATUS		Approved	Prod checked.	Approved.
Ed		Position	Modified from	Designation
Date		Intr./Appd.	Parent 3D model	Ed . Version 3D
Date		14/04/2005	Sheet 1 / 1	

2202754800

CONFIDENTIAL: This document is property of Atlas Copco AB and shall not without our permission be altered, copied, used for manufacturing or communicated to any other person or company.

05	Added E versions. CID.27573, DN20054129.	22-06-20	asavio	2202754800	04.00
Ed	Position	Date	Intr./Appd.	Parent 3D model	Ed . Version 3D