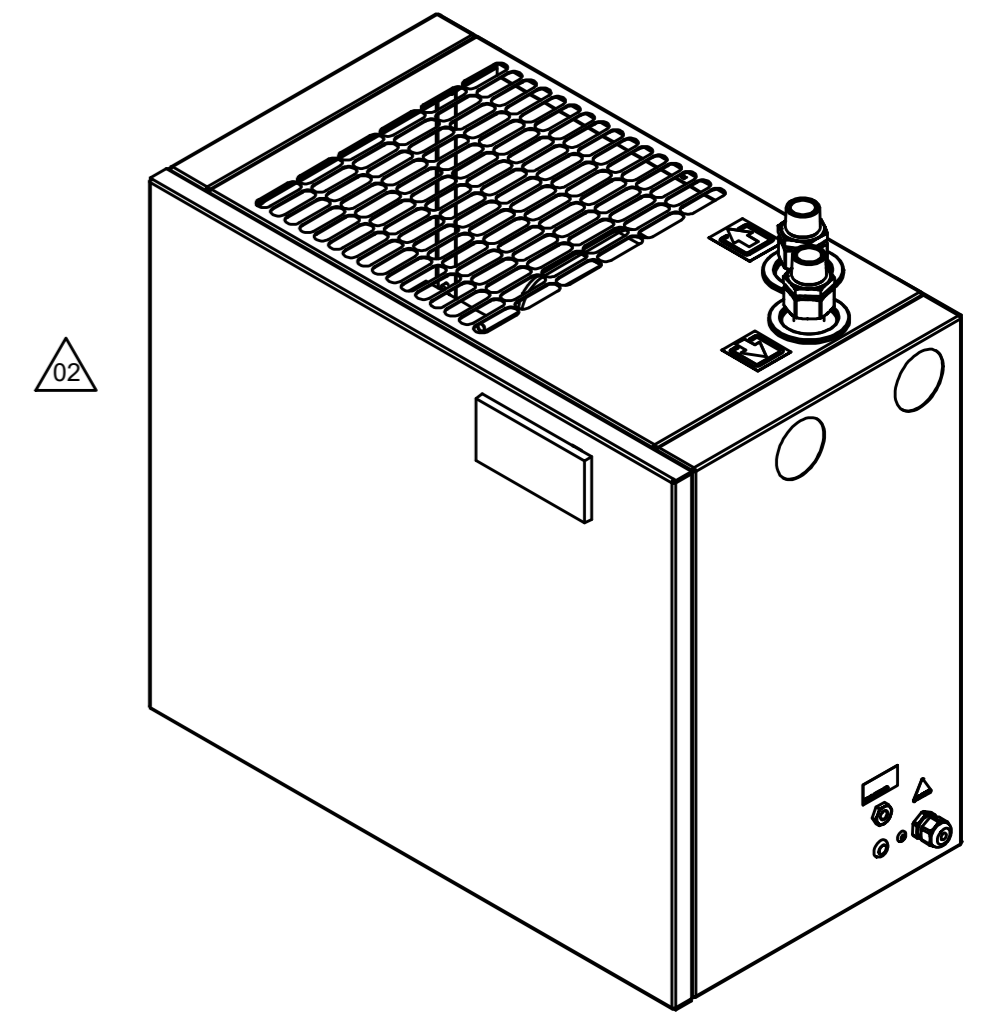
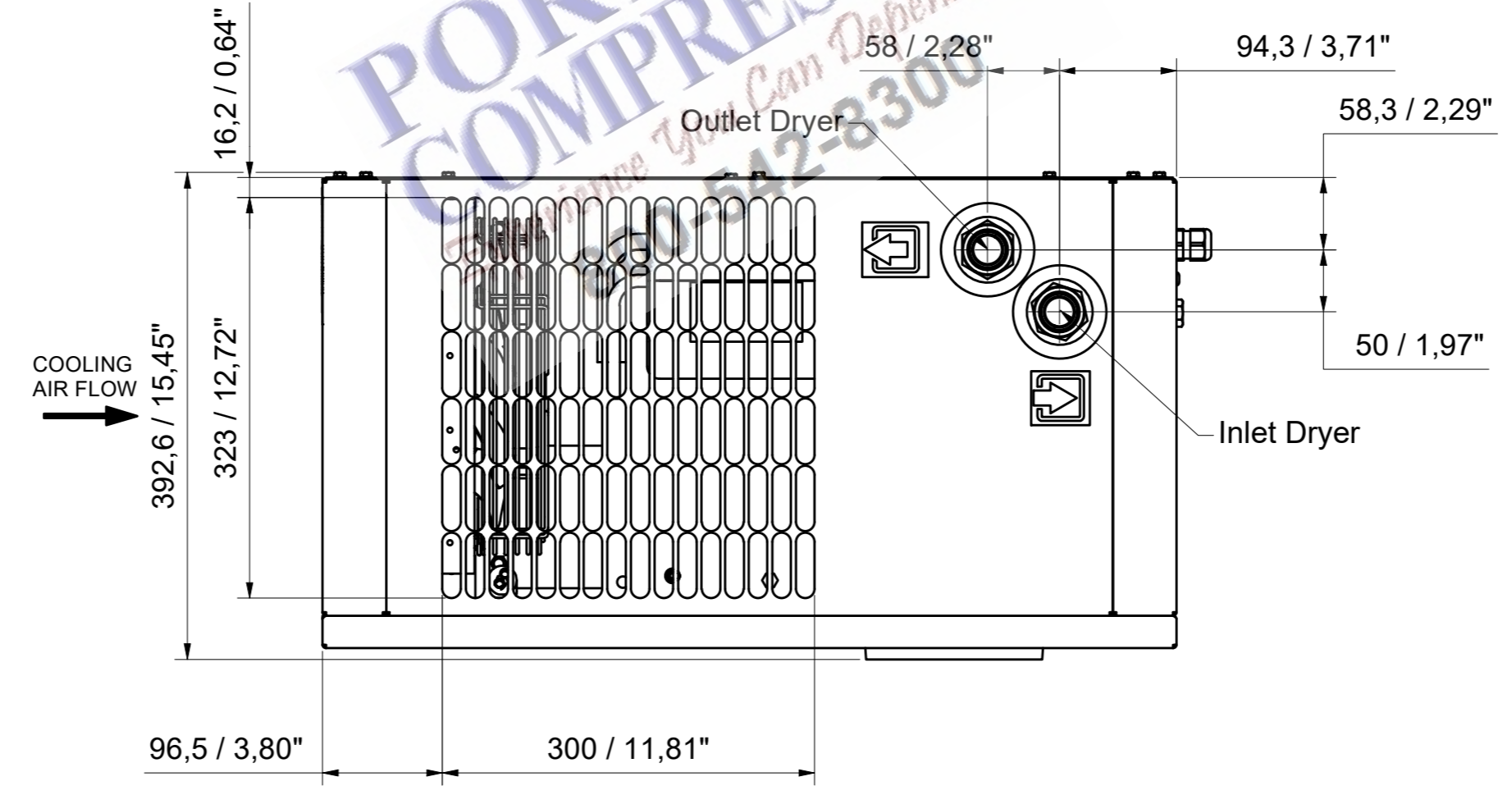
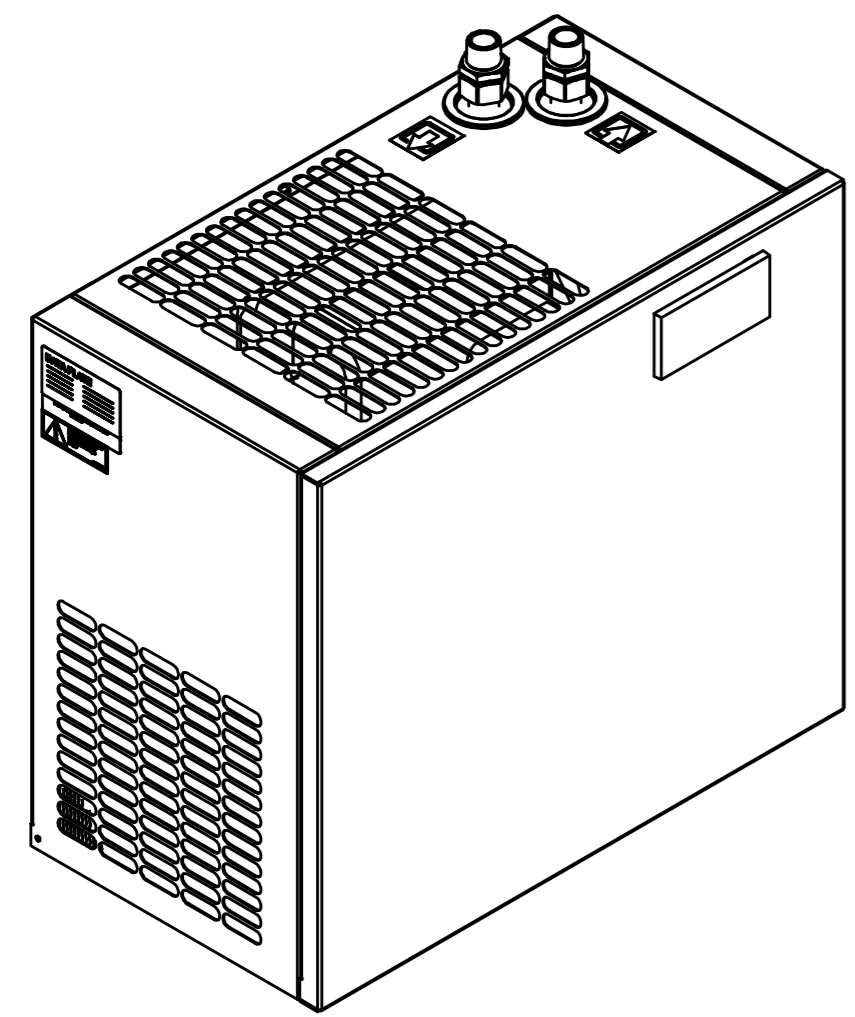
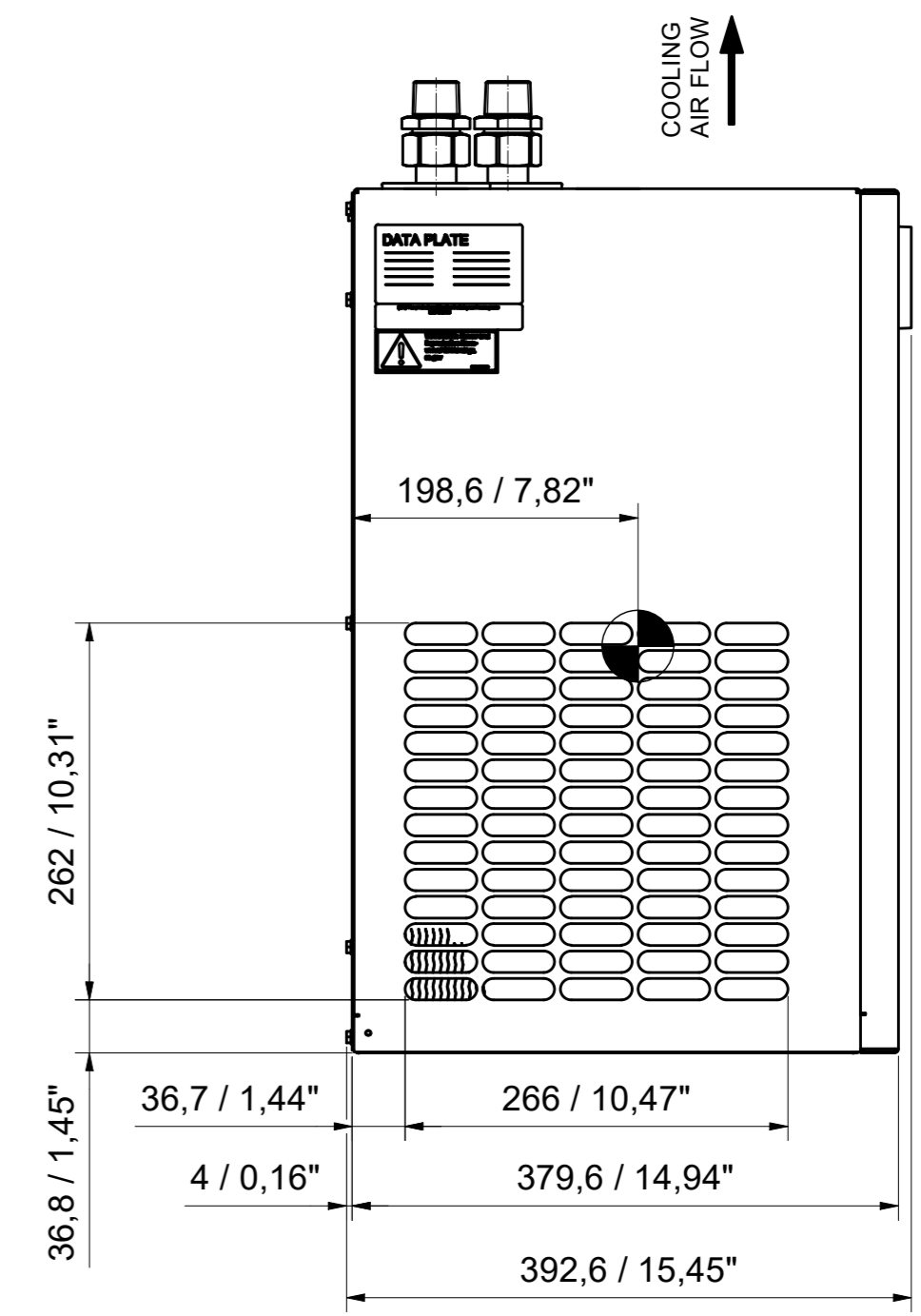
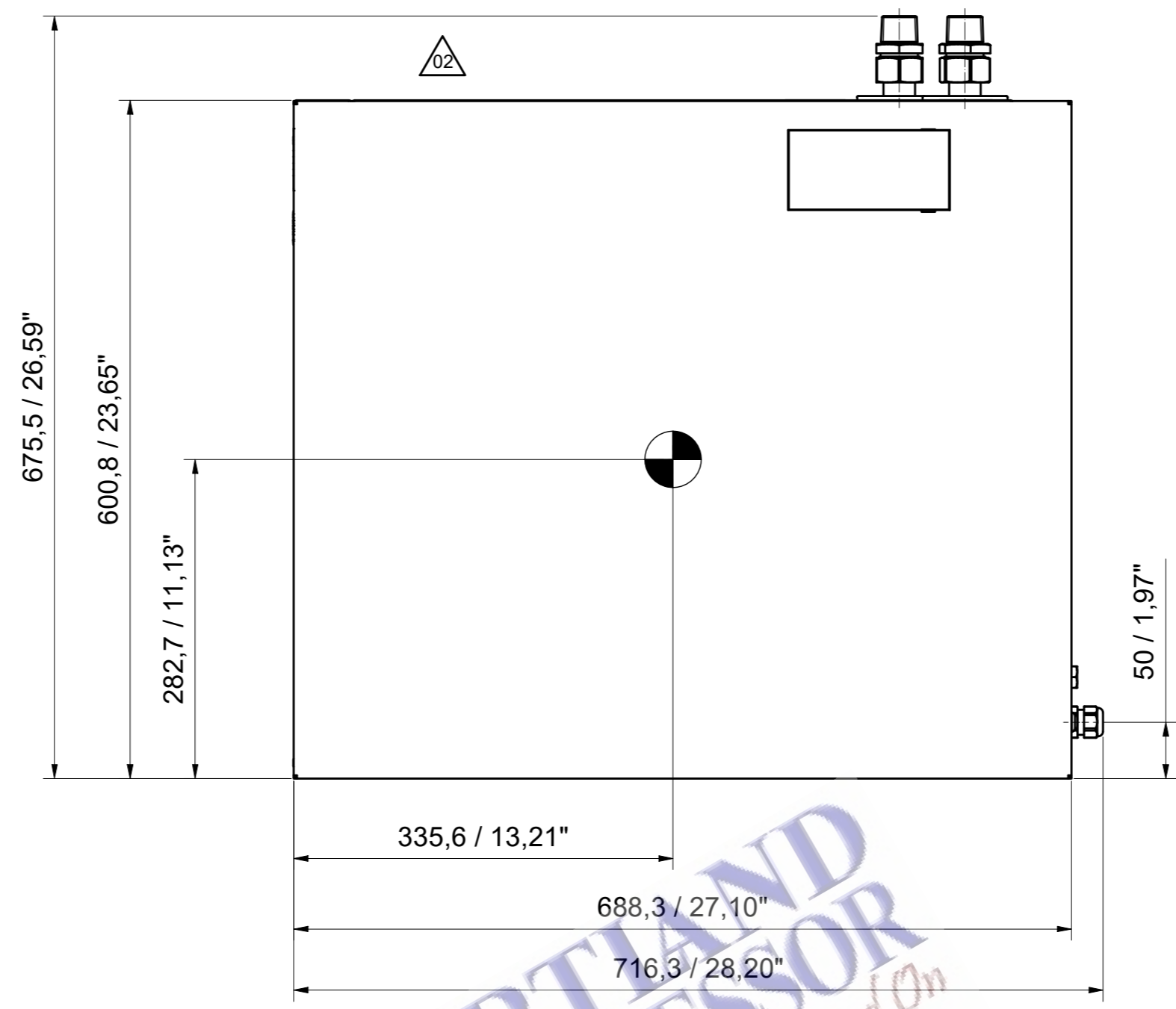
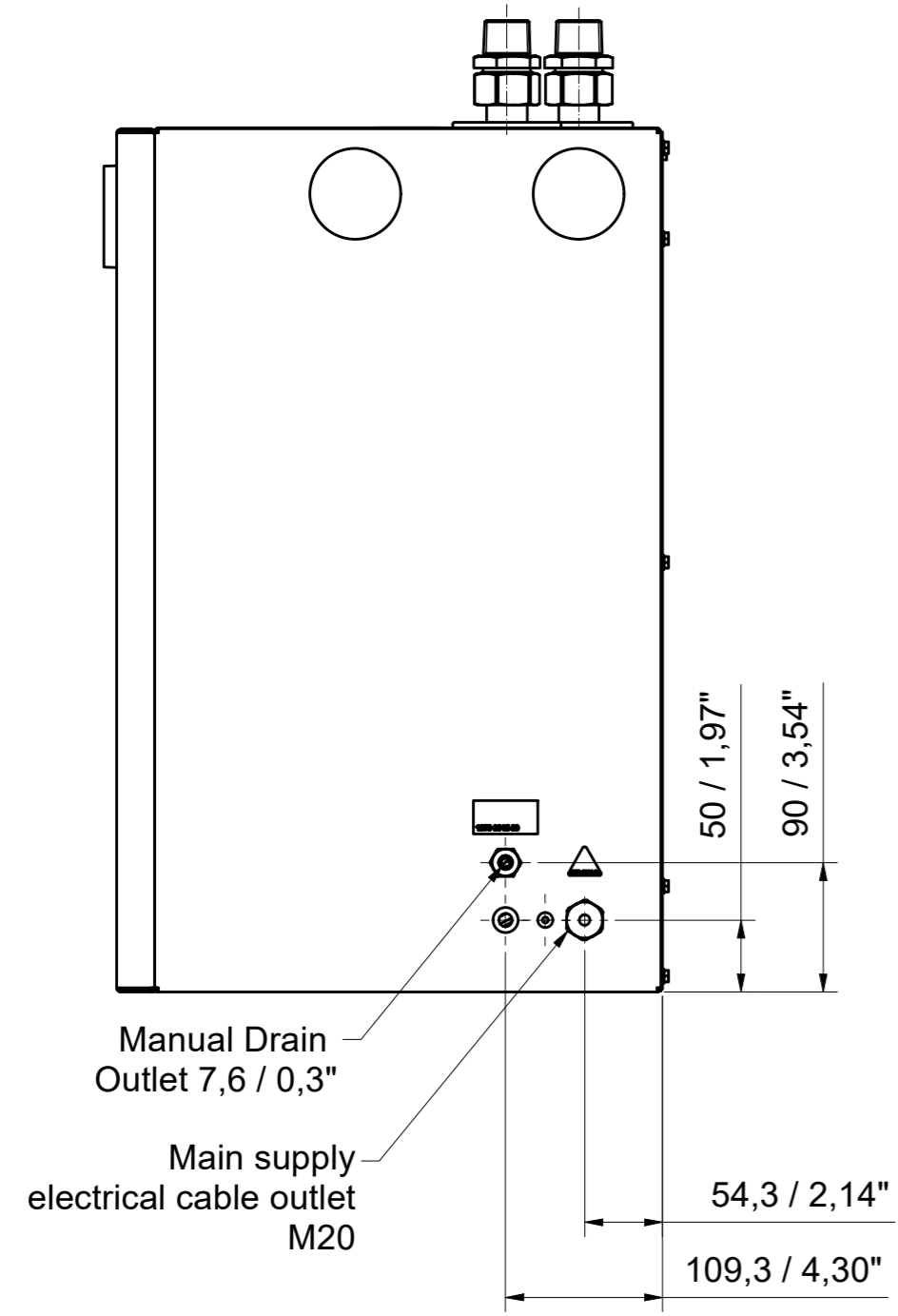


All materials supplied are in compliance with the requirements of the List of Prohibited Substances



PORTLAND COMPRESSOR

Where You Can Depend On

1-800-542-8300

Center of gravity

Dimensions: mm (in)

Type dryer	Air Connection		Weight:
	Male Thread		
ES 30 115V	G 1" (50hz)	NPT 1" (60hz)	56 kg / 124,6 lb
ES 40	G 1" (50hz)	NPT 1" (60hz)	56 kg / 124,6 lb
ES 50	G 1" (50hz)	NPT 1" (60hz)	57 kg / 126,8 lb

02	Updated. CID.27802, DN20060519.	11-01-21	asavio
Ed	Position	Modified from	Date
		Intr./Appd.	

9827994100	Parent 3D model	Ed . Version 3D
------------	-----------------	-----------------

Tolerances, if not indicated, according to:			
Name	DIMENS. DRWG ES 40-50 + ES 30 V115		Confidentiality Class acc. to 1102 K
Material	Not Applicable		Internal
Treatment	Not Applicable		INV
Scale	1:5	Family	Compare
Drawn by	JAN	Blank nr.	Replaces
Drawing format	Blank wt	0 Kg	Fini wt.
A2			N/A
STATUS	Des checked.	Prod checked.	Approved.
			Date 14/03/2006
Approved Internal			9827994100

CONFIDENTIAL: This document is property of Atlas Copco AB and shall not without our permission be altered, copied, used for manufacturing or communicated to any other person or company.