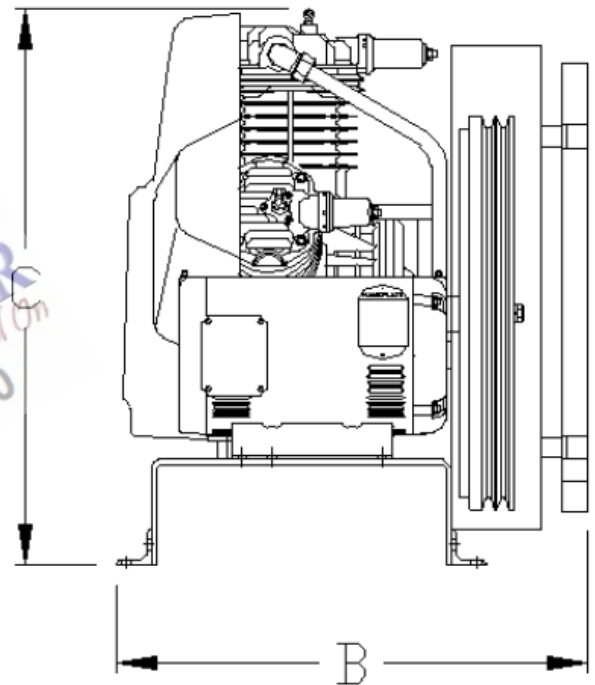
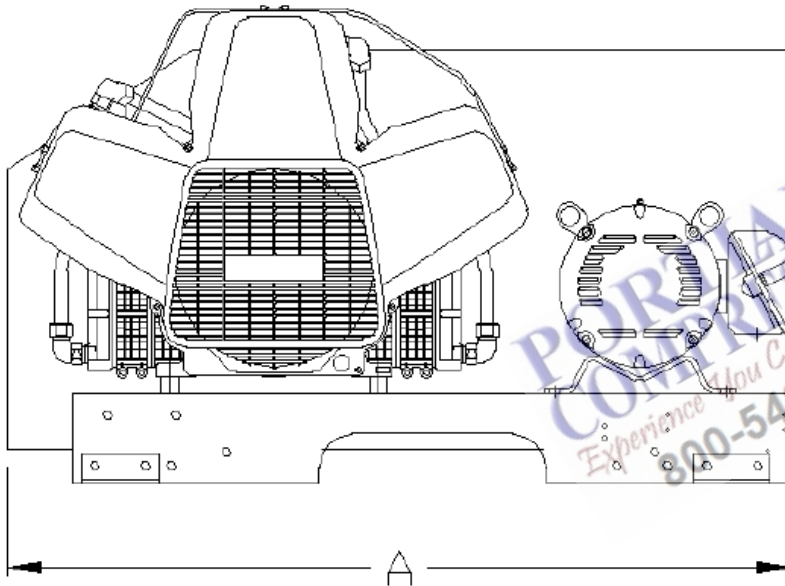
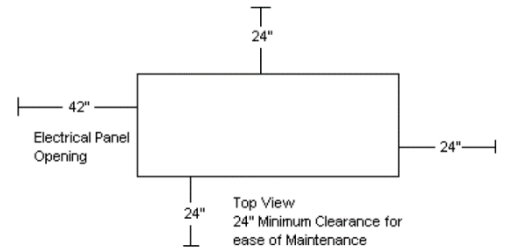


Dimensions*			
Model	Dim. A	Dim. B	Dim. C
OBS0107	21"	16"	20"
OBS0157	21"	16"	20"
OBS0207	32"	19"	23"
OBS0307	32"	19"	23"
OBS0507	36"	22"	27"
OBS0757	46"	24"	28"
OBS1007	46"	24"	28"
OBS1507	48"	27"	28"



Climate Control Air Compressor										
Model	HP ^(1,2)	Phase	SCFM @ 100 PSIG	Max PSIG	BTU/Hr	dB(A) Level	System F.L.A.			System Weight (lbs)
							208V	230V	460V	
OBS0107	1	3	3.0	145	2,545	71	**4.1	3.6	1.8	95
OBS0157	1.5	3	4.2	145	3,818	71	4.5	4.4	2.2	120
OBS0207	2	3	7.2	145	5,909	71	**5.95	5.8	2.9	120
OBS0307	3	3	10.1	145	7,635	71	8.98	8.12	4.06	160
OBS0507	5	3	18.2	145	12,725	75	14.2	12.8	6.41	270
OBS0757	7.5	3	28.4	145	19,088	76	19.97	18.1	9.03	305
OBS1007	10	3	35.4	145	25,450	76	27	24.4	12.2	350
OBS1507	15	3	45.2	145	38,175	79	41.1	37.2	18.6	410

Notes:

- 1 – Actual BHP is less than rated name plate. Contact Powerex for BHP rating.
- *Dimensions are shown with optional aftercooler installed.
- **System is usable at 208 volts, but should not be used at any value below that voltage.