

NOTES:

- WEIGHT (APPROXIMATE): R4I (80G RECEIVER) - 400kg
 R4I (80G TAS) - 465kg
 R5.5I (80G RECEIVER) - 400kg
 R5.5I (80G TAS) - 465kg
 R5.5N (80G RECEIVER) - 405kg
 R5.5N (80G TAS) - 470kg
 R7.5I (80G RECEIVER) - 400kg
 R7.5I (80G TAS) - 465kg
 R7.5N (80G RECEIVER) - 405kg
 R7.5N (80G TAS) - 470kg
 R11I (80G RECEIVER) - 415kg
 R11I (80G TAS) - 485kg
 R11N (80G RECEIVER) - 425kg
 R11N (80G TAS) - 495kg
- COOLING AIR FLOW: 1950m3/h
- PIPE CONDENSATE DRAIN LINES SEPARATELY TO AN OPEN DRAIN DUE TO DIFFERENCES IN DRAIN PRESSURES. READ OPERATIONS MANUAL AND CHECK LOCAL REGULATIONS.
- LUBRICANT FILL QUANTITY: 5 LITERS.
- RECOMMENDED CLEARANCE ON THREE SIDES 915MM (36 INCHES), ON SIDE WITH ELECTRICAL BOX OPENING 1067MM (42 INCHES) OR MINIMUM AS REQUIRED BY LATEST NATIONAL ELECTRICAL CODE OR APPLICABLE LOCAL CODES.
 FOR VSD PACKAGES ONLY: ENSURE THAT A MINIMUM CLEARANCE OF 102 MM (4 INCHES) IS MAINTAINED IN FRONT OF THE PDM FILTER TO ALLOW ADEQUATE SPACE FOR MAINTENANCE.
- EXTERNAL PIPING SHOULD NOT EXERT ANY UNRESOLVED MOMENTS OR FORCES ON UNIT. USE PIPE OF EQUAL OR GREATER SIZE AT DISCHARGE LOCATION OF UNIT.
- THERE SHOULD BE NO PLASTIC OR PVC PIPING ATTACHED TO THIS UNIT OR USED FOR ANY LINES DOWNSTREAM.
- REMOVE THE ISOLATION MOUNT RESTRAINTS BEFORE THE INITIAL START. THE RESTRAINTS CAN BE DISCARDED.
- FIELD INSTALLED DUCTING TO AND FROM COMPRESSOR CANNOT ADD MORE THAN 6MM (.25 INCH) OF WATER TOTAL AIR RESISTANCE.
- UNIT HAS AN INTERNAL DISCHARGE CHECK VALVE, EXTERNAL CHECK VALVE NOT REQUIRED. ISOLATION VALVE REQUIRED WITHIN 915 MM (36 INCHES) OF THE COMPRESSOR DISCHARGE.
- COMPRESSOR SHOULD BE BOLTED TO THE FLOOR WITH FOUR M12 (1/2 INCH) BOLTS USING HOLES SHOWN ON SHEET 3. SEAL RECEIVER TO FLOOR WITH CORK OR RUBBER.
- DO NOT PIPE INTO A COMMON HEADER WITH A RECIPROCATING COMPRESSOR. UNLESS RECIP COMPRESSOR UTILIZES A DISCHARGE PULSATION DAMPENER.
- ☉ DENOTES CENTER OF GRAVITY.
- SIZING OF ELECTRICAL COMPONENTS NOT SUPPLIED BY INGERSOLL-RAND IS THE RESPONSIBILITY OF THE CUSTOMER AND SHOULD BE DONE IN ACCORDANCE WITH THE INFORMATION ON THE COMPRESSOR DATA PLATE, NATIONAL AND LOCAL ELECTRIC CODES.
- A BLANK GLAND PLATE IS PROVIDED FOR ELECTRICAL POWER INLET AS INDICATED.
- WHEN INSTALLED INDOORS IN A CONFINED SPACE, THE COOLING AIR INLET OR EXHAUST MUST BE DUCTED AWAY FROM UNIT TO PREVENT RECIRCULATION OF HOT EXHAUST AIR.

CONNECTION LEGEND
 - ALL 60 Hz CONNECTIONS ARE NPT (UNLESS SPECIFIED OTHERWISE)
 - ALL 50 Hz CONNECTIONS ARE BSPT (UNLESS SPECIFIED OTHERWISE)

A. DISCHARGE AIR: 3/4" INCH (FEMALE)
 B. ELECTRICAL INLET: BLANK PLATE SUPPLIED
 C. PACKAGE AIR INLET (COMPRESSOR)
 D. PACKAGE AIR EXHAUST (COMPRESSOR)
 E. PACKAGE AIR INLET (DRYER)
 F. PACKAGE AIR EXHAUST (DRYER)
 G. CONDENSATE DRAIN 10 MM PUSH-IN (FEMALE)
 * OPTIONAL CONDENSATE DRAIN ON NO DRYER VERSION: 1/4NPT



		REVISIONS				
ZONE	REV	ECN	DESCRIPTION	DATE	DRAWN	APPD
	A	790486	ORIGINAL RELEASE	2014MAY05	G.SRIKANTH	Z.WHITLEY
	B	960610	ADDED SHEET 9, DIM 631.0 [24.84] WAS 634.7 [24.99], DIM 266.7 [10.50] WAS 267.0 [10.51], DIM 35.7 [1.40] WAS 19.5 [.77], DIM 266.7 [10.50] WAS 295.0 [11.61], DIM 665.9 [26.22] WAS 663.2 [26.11], DIM 1161.2 [45.72] WAS 1178.1 [46.38], DIM 1215.2 [47.84] WAS 1246.2 [49.06], DIM 438.2 [17.25] WAS 458.0 [17.95], DIM 285.8 [11.25] WAS 183.0 [7.20], DIM 13.9 [.55] WAS 22.6 [.89], DIM 158.8 [6.25] WAS 145.0 [5.71]	2014DEC15	M.PREETHAM	Z.WHITLEY
	C	974303	ADDED SHEET 10, DIM 401.0 [15.79] WAS 403.0[15.87] DIM 289.0 [11.38] WAS 291.0[11.46] DIM 34.8[1.37] WAS 35.7[1.40] DIM 14.0[.55] WAS 13.9[.55] DIM 158.7[6.25] WAS 158.8[6.25] DIM 401.0 [15.79] WAS 403.0[15.87] DIM 289.0 [11.38] WAS 291.0[11.46] IN NOTE 5 ADDED RECOMMENDED CLEARANCE FOR VSD PACKAGES.	2015JUL17	A.DHANA	Z.WHITLEY

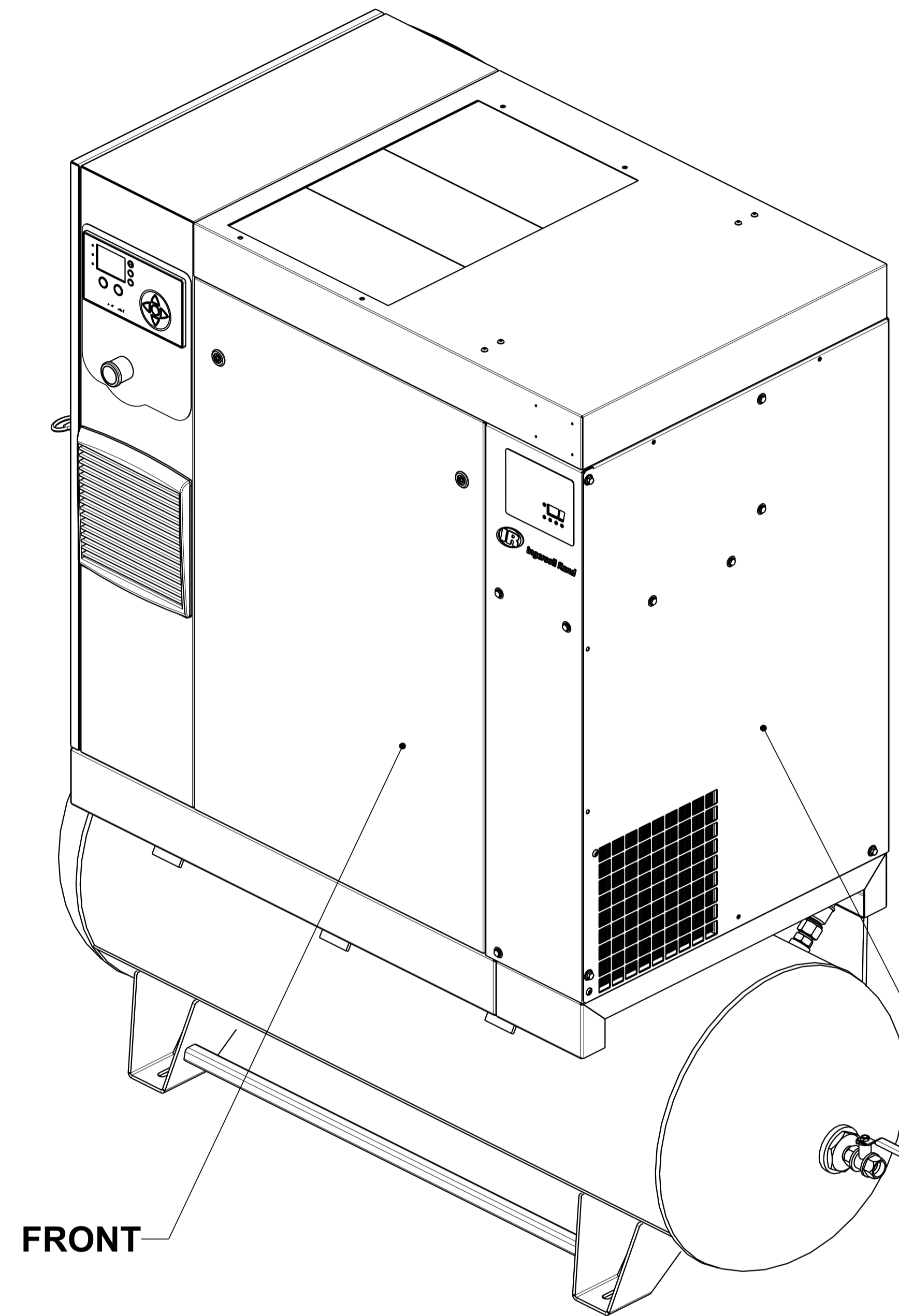
GENERAL ARRANGEMENT TOLERANCES	WARNING: THE EXPORT OR REEXPORT OF THIS DRAWING OR A PRODUCT PRODUCED BY THIS DRAWING IS SUBJECT TO U.S. EXPORT ADMINISTRATION REGULATIONS AND OTHER APPLICABLE GOVERNMENT RESTRICTIONS OR REGULATIONS.
ALL DIMENSIONS ARE IN MILLIMETERS [INCHES (IF SHOWN)]	PROPRIETARY NOTICE
UNSPECIFIED TOLERANCES:	THIS DRAWING CONTAINS CONFIDENTIAL AND TRADE SECRET INFORMATION, IS THE PROPERTY OF INGERSOLL-RAND CO., AND IS GIVEN TO THE RECEIVER IN CONFIDENCE. THE RECEIVER BY RECEPTION AND RETENTION OF THE DRAWING ACCEPTS THE DRAWING IN CONFIDENCE AND AGREES THAT, EXCEPT AS AUTHORIZED IN WRITING BY INGERSOLL-RAND CO. IT WILL (1) NOT USE THE DRAWING OR ANY COPY THEREOF OR THE CONFIDENTIAL OR TRADE SECRET INFORMATION THEREIN; (2) NOT COPY THE DRAWING; (3) NOT DISCLOSE TO OTHERS EITHER THE DRAWING OR THE CONFIDENTIAL OR TRADE SECRET INFORMATION THEREIN; AND (4) UPON COMPLETION OF THE NEED TO RETAIN THE DRAWING, OR UPON DEMAND, RETURN THE DRAWING, ALL COPIES THEREOF, AND ALL MATERIAL COPIED THEREFROM.
WHOLE : ±13.0[.50] X : ±6.0[.25] ANGLES : ±1°	
Ingersoll-Rand Industrial Technologies	

DO NOT SCALE DRAWING
DRAWING CONFORMS TO ASME Y14.5M - 1994
CAD GENERATED DRAWING, NO MANUAL REVISIONS ALLOWED
UNLESS OTHERWISE SPECIFIED: - REMOVE ALL BURRS AND SHARP CORNERS - WELD SYMBOLS TO BE IN ACCORDANCE WITH ANSI/AWS A2.4
COPYRIGHT © 2015 Ingersoll Rand ALL RIGHTS RESERVED

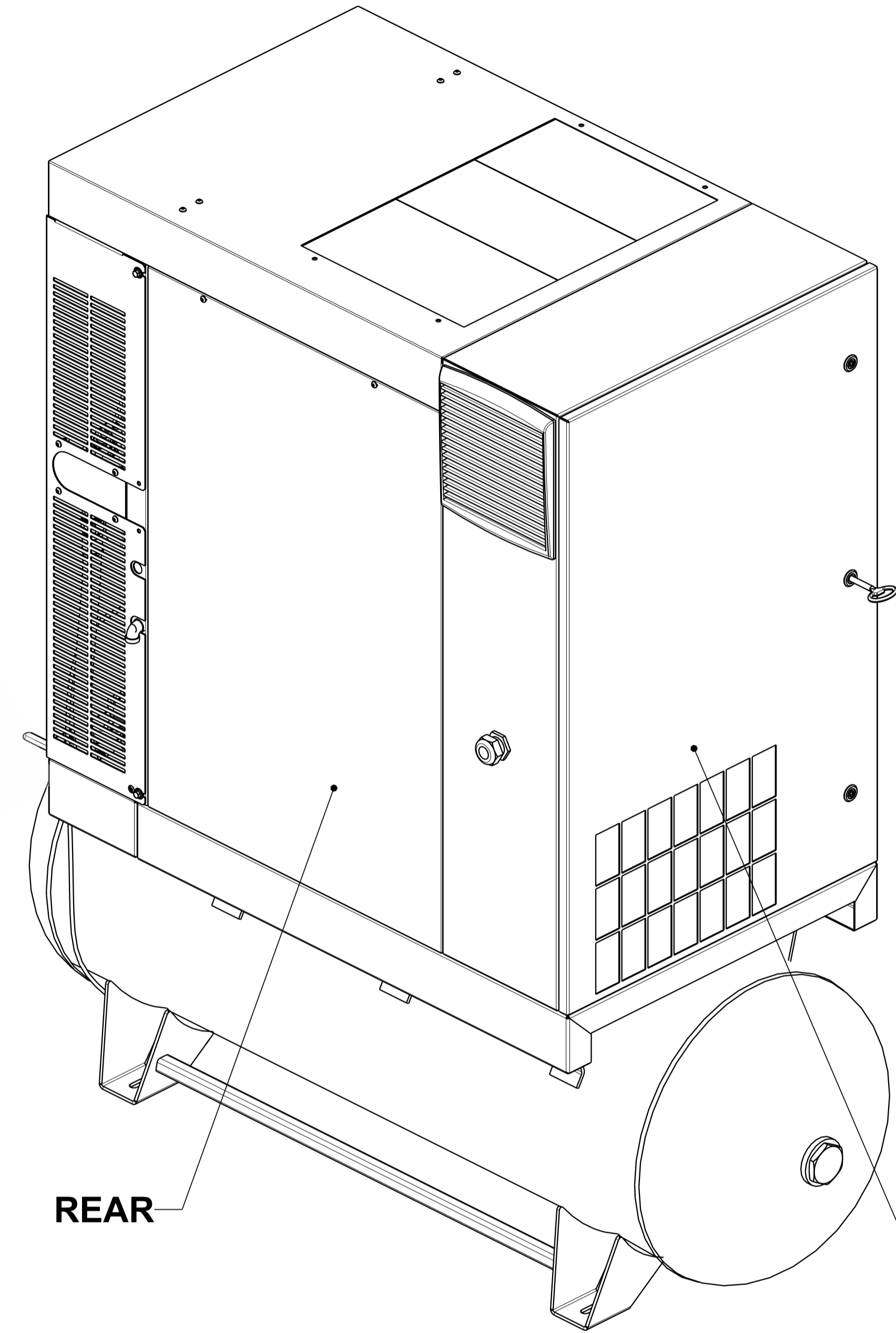
THIRD ANGLE PROJECTION	
DRAWN	DATE
G.SRIKANTH	2014MAY05
CHECKED	DATE
Z.WHITLEY	2014MAY05
APPROVED	DATE
Z.WHITLEY	2014MAY05
DRAWING TYPE	
General Arrangement Drawing	
NOMENCLATURE	

GENERAL ARRANGEMENT, R4-11KW 80G RECEIVER MOUNTED			
NAME	DWG NO.	REVISION	
	47518742001	C	
SIZE	ESTIMATED WEIGHT (KG UNLESS OTHERWISE SPECIFIED)	PART NO.	
A1	SEE NOTE 1		
SCALE	MODEL	SHEET	1 OF 10
0.15	R4 - 11KW		

GENERAL ARRANGEMENT WITH RECEIVER - DRYER



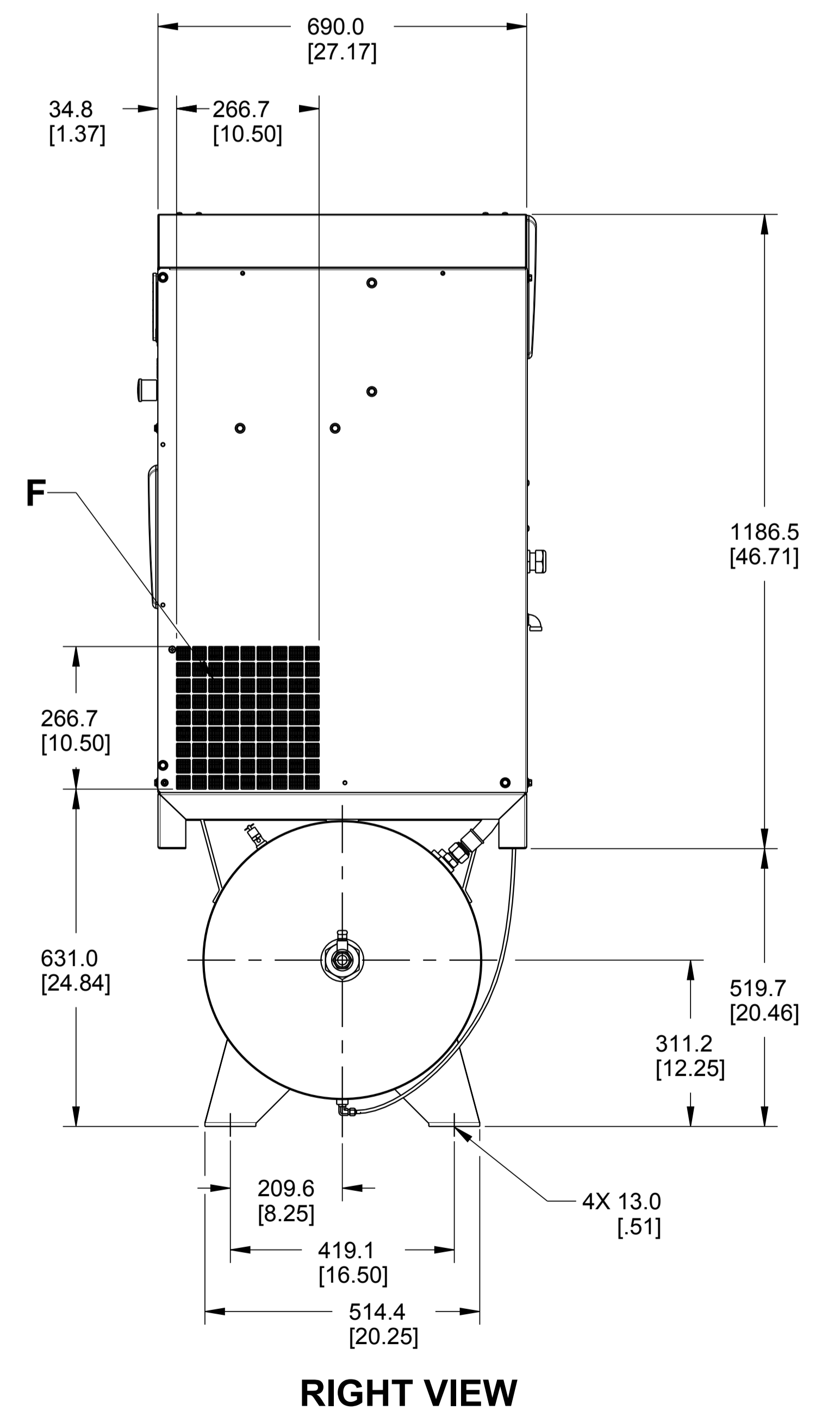
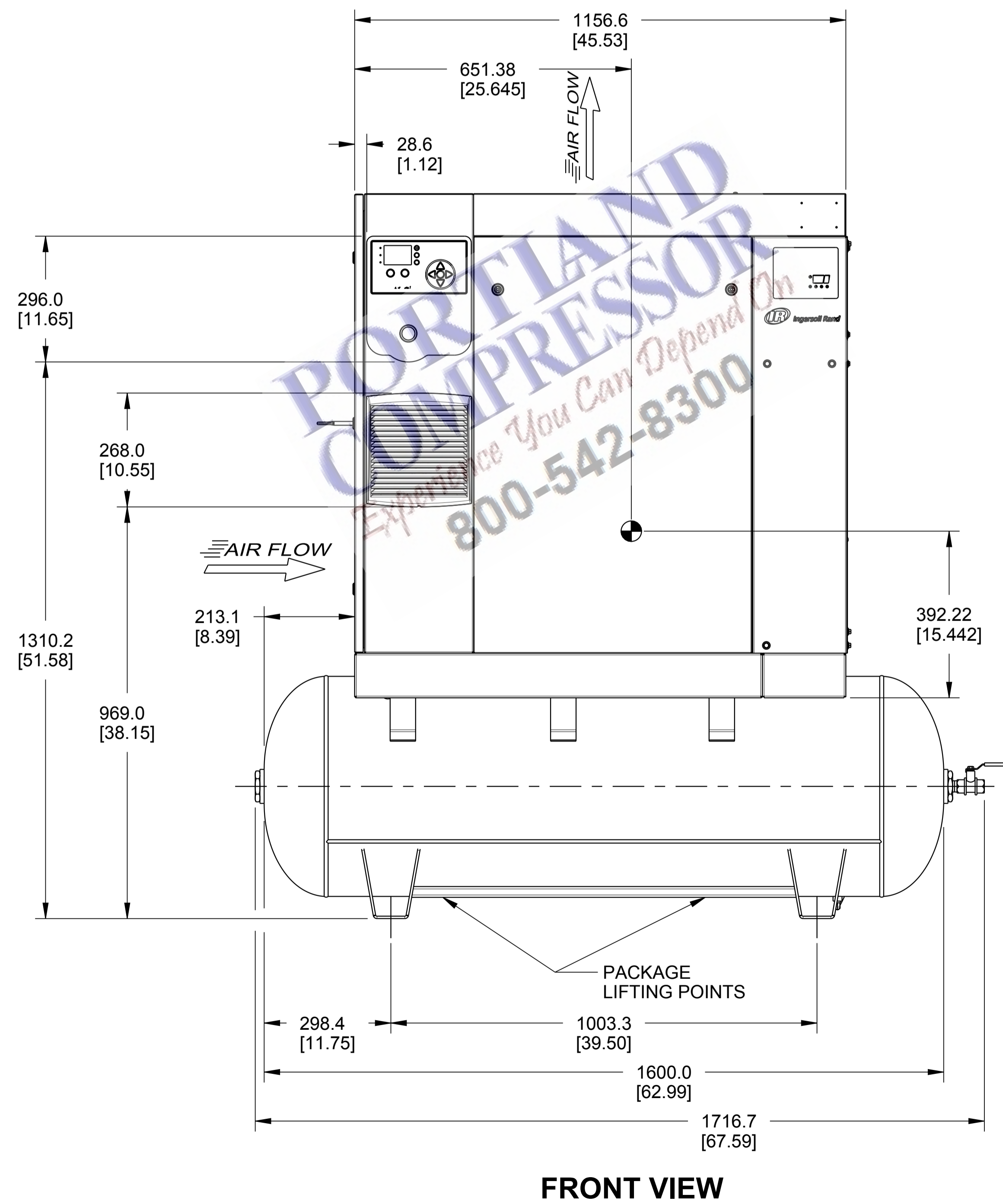
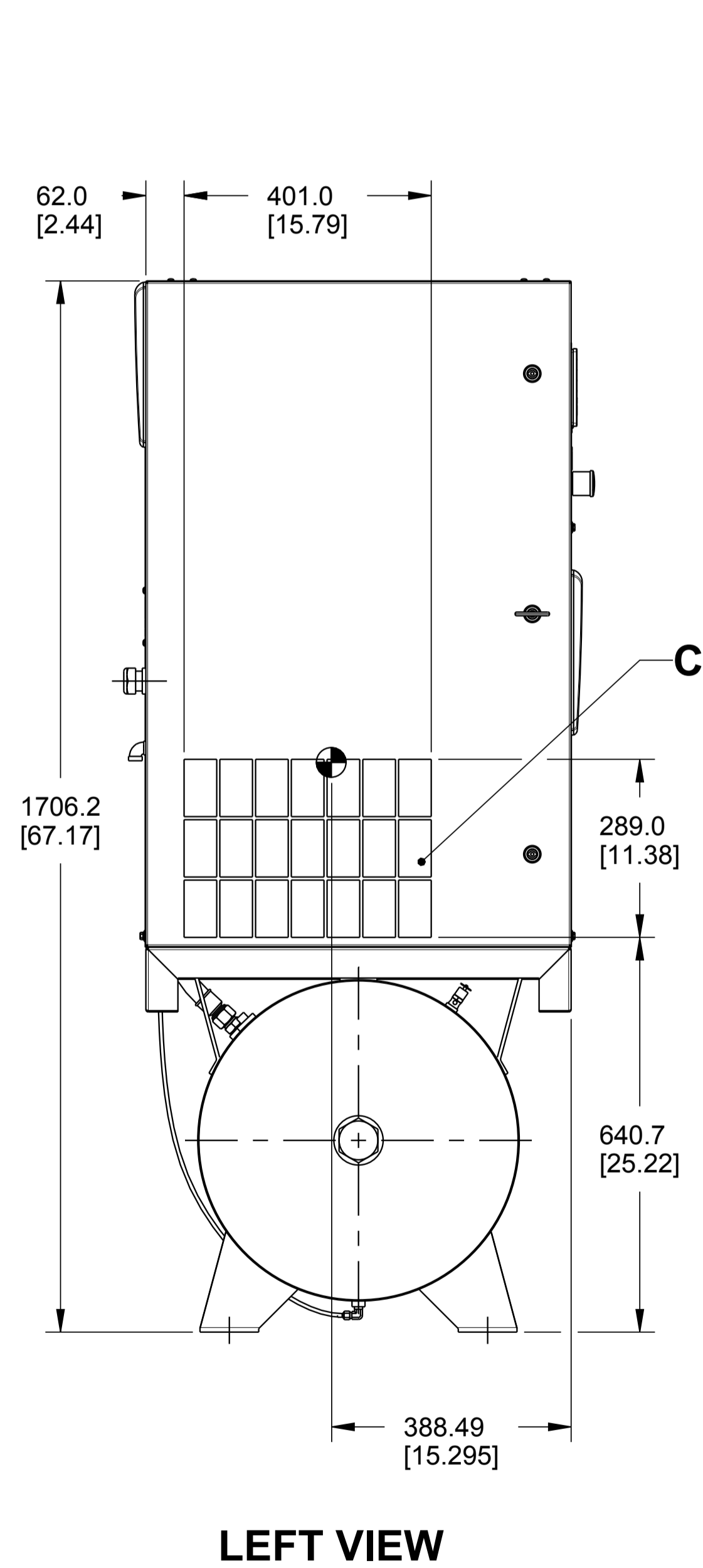
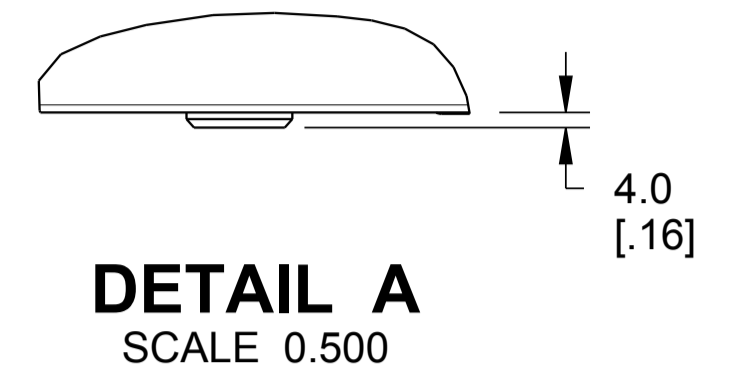
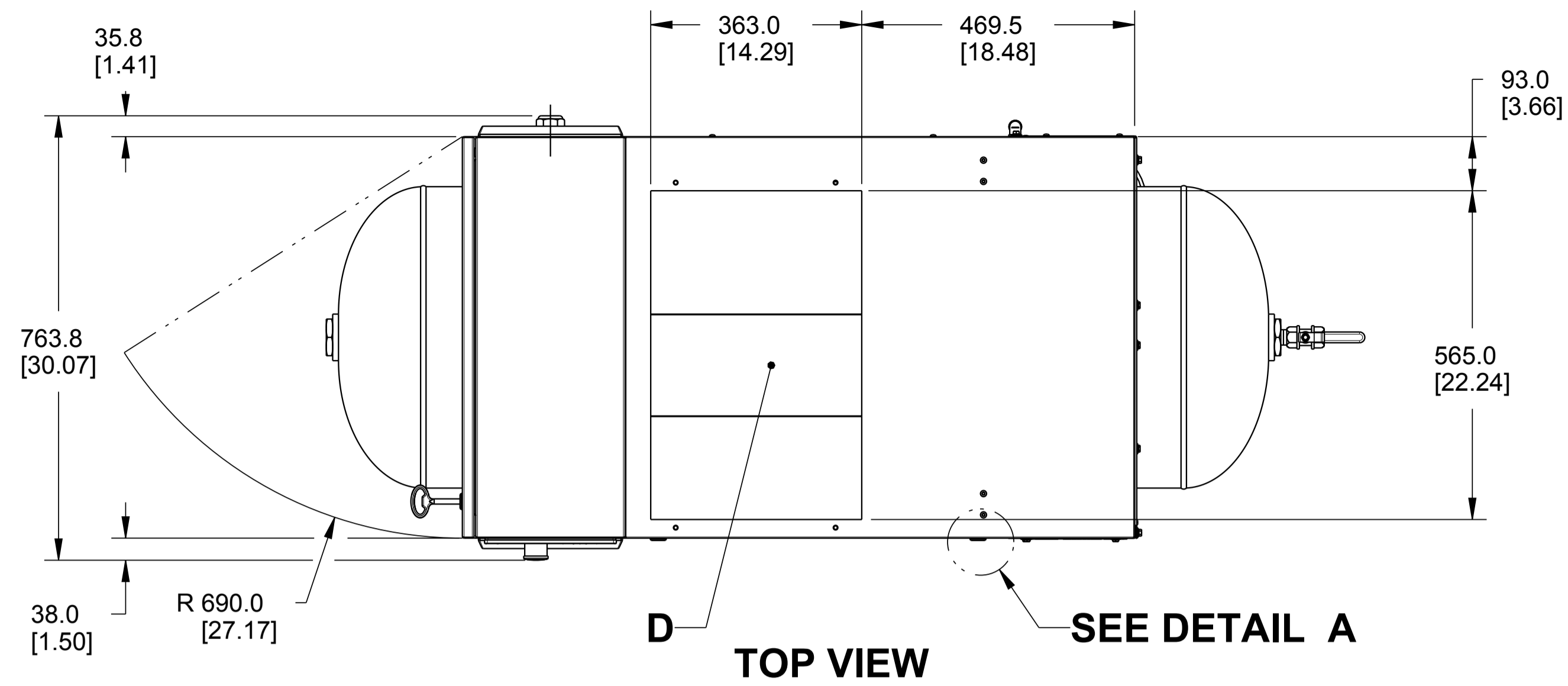
PORTLAND COMPRESSOR
Experience You Can Depend On
800-542-8300



THESE VIEWS ARE SHOWN FOR REFERENCE ONLY

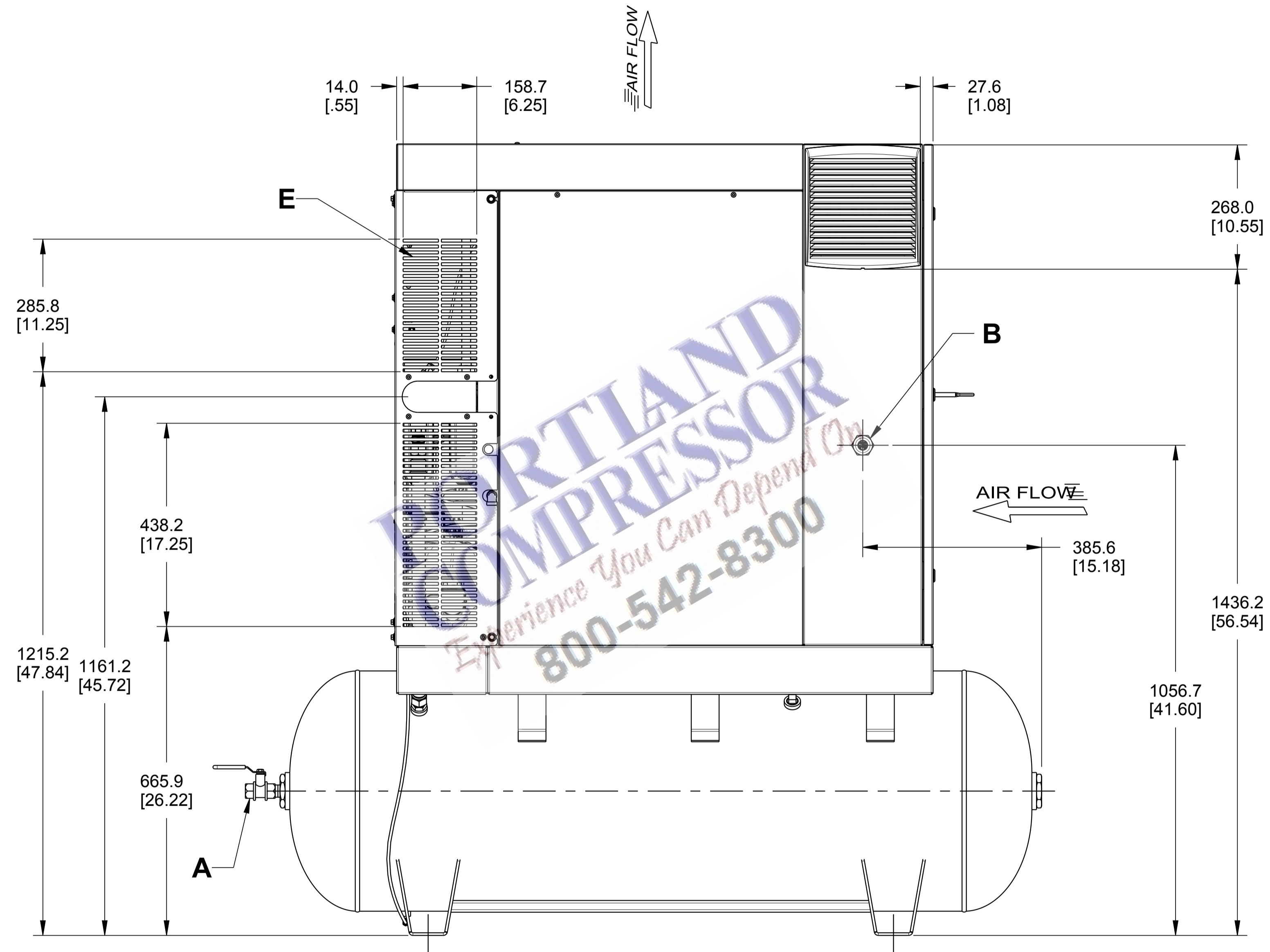
<small>PROPRIETARY NOTICE THIS DRAWING CONTAINS CONFIDENTIAL AND TRADE SECRET INFORMATION IS THE PROPERTY OF INGERSOLL-RAND CO. AND IS GIVEN TO THE RECEIVER IN CONFIDENCE. THE RECEIVER BY RECEIPT AND RETENTION OF THE DRAWING ACCEPTS THE DRAWING IN CONFIDENCE AND AGREES THAT EXCEPT AS AUTHORIZED IN WRITING BY INGERSOLL-RAND CO. IT WILL (1) NOT USE THE DRAWING OR ANY COPY THEREOF OR THE CONFIDENTIAL OR TRADE SECRET INFORMATION THEREIN; (2) NOT COPY THE DRAWING; (3) NOT DISCLOSE TO OTHERS EITHER THE DRAWING OR THE CONFIDENTIAL OR TRADE SECRET INFORMATION THEREIN; AND (4) UPON COMPLETION OF THE NEED TO RETAIN THE DRAWING OR UPON DEMAND, RETURN THE DRAWING, ALL COPIES THEREOF, AND ALL MATERIAL COPIED THEREFROM.</small>		NAME GENERAL ARRANGEMENT, R4-11KW 80G RECEIVER MOUNTED	
SIZE A1	DWG NO. 47518742001	REVISION C	
SCALE 0.160 NOMENCLATURE		SHEET 2 OF 10	

GENERAL ARRANGEMENT WITH RECEIVER - DRYER



<small>PROPRIETARY NOTICE</small> THIS DRAWING CONTAINS CONFIDENTIAL AND TRADE SECRET INFORMATION IS THE PROPERTY OF INGERSOLL-RAND CO. AND IS GIVEN TO THE RECEIVER IN CONFIDENCE. THE RECEIVER BY RECEIPT AND RETENTION OF THIS DRAWING ACCEPTS THE DRAWING IN CONFIDENCE AND AGREES THAT, EXCEPT AS AUTHORIZED IN WRITING BY INGERSOLL-RAND CO. IT WILL (1) NOT USE THE DRAWING OR ANY COPY THEREOF OR THE CONFIDENTIAL OR TRADE SECRET INFORMATION THEREIN; (2) NOT COPY THE DRAWING; (3) NOT DISCLOSE TO OTHERS EITHER THE DRAWING OR THE CONFIDENTIAL OR TRADE SECRET INFORMATION THEREIN; AND (4) UPON COMPLETION OF THE NEED TO RETAIN THE DRAWING OR UPON DEMAND, RETURN THE DRAWING, ALL COPIES THEREOF, AND ALL MATERIAL COPIED THEREFROM.		NAME GENERAL ARRANGEMENT, R4-11KW 80G RECEIVER MOUNTED	
SIZE A1	DWG NO. 47518742001	REVISION C	
SCALE 0.13	NOMENCLATURE	SHEET 3 OF 10	

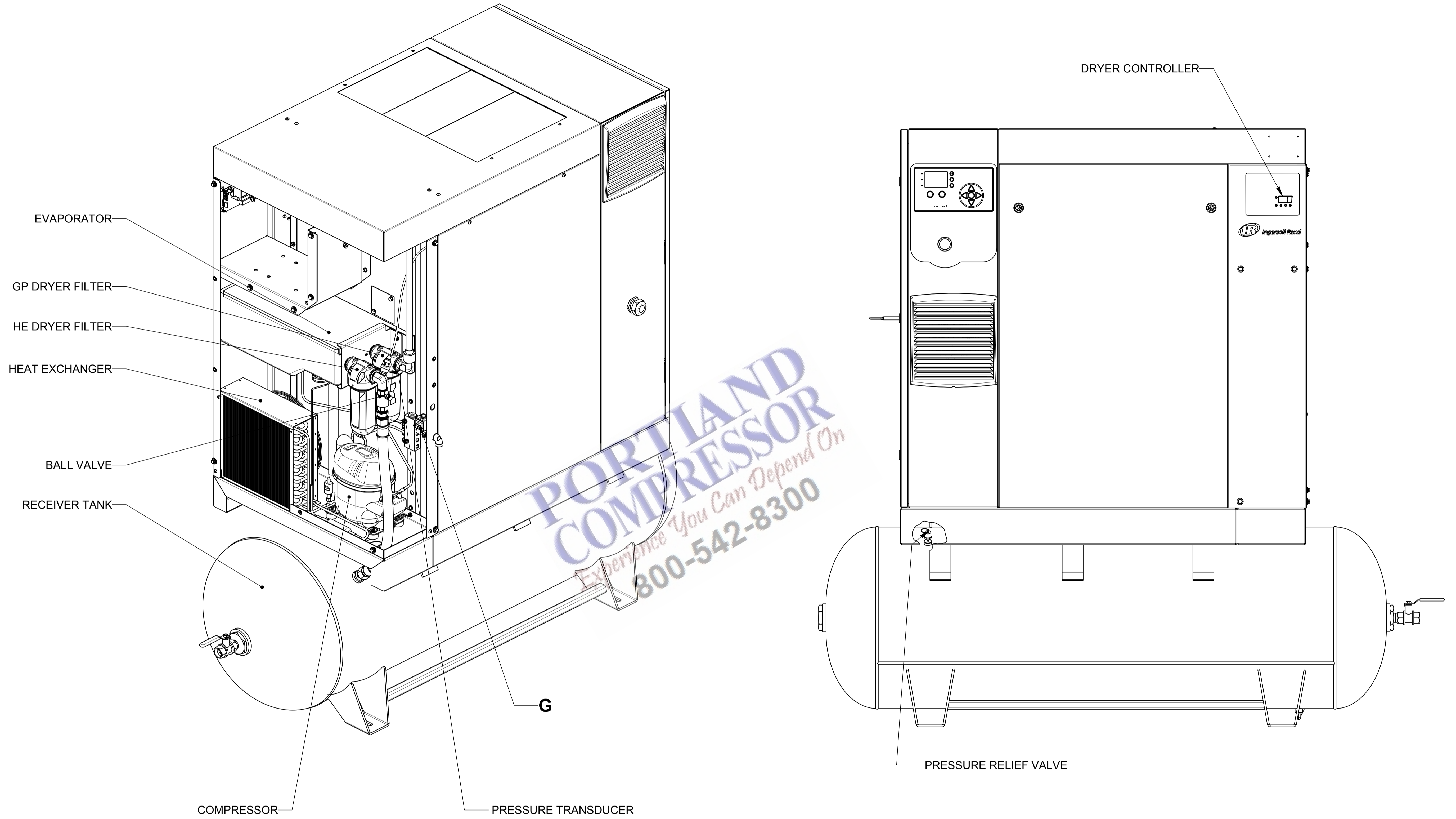
GENERAL ARRANGEMENT WITH RECEIVER - DRYER



BACK VIEW

<small>PROPRIETARY NOTICE</small> THIS DRAWING CONTAINS CONFIDENTIAL AND TRADE SECRET INFORMATION IS THE PROPERTY OF INGERSOLL-RAND CO. AND IS GIVEN TO THE RECEIVER IN CONFIDENCE. THE RECEIVER BY RECEIPT AND RETENTION OF THIS DRAWING ACCEPTS THE DRAWING IN CONFIDENCE AND AGREES THAT, EXCEPT AS AUTHORIZED IN WRITING BY INGERSOLL-RAND CO. IT WILL (1) NOT USE THE DRAWING OR ANY COPY THEREOF OR THE CONFIDENTIAL OR TRADE SECRET INFORMATION THEREIN; (2) NOT COPY THE DRAWING; (3) NOT DISCLOSE TO OTHERS EITHER THE DRAWING OR THE CONFIDENTIAL OR TRADE SECRET INFORMATION THEREIN; AND (4) UPON COMPLETION OF THE NEED TO RETAIN THE DRAWING OR UPON DEMAND, RETURN THE DRAWING, ALL COPIES THEREOF, AND ALL MATERIAL COPIED THEREFROM.		NAME GENERAL ARRANGEMENT, R4-11KW 80G RECEIVER MOUNTED	
SIZE A1	DWG NO. 47518742001	REVISION C	
SCALE 0,15	NOMENCLATURE	SHEET 4 OF 10	

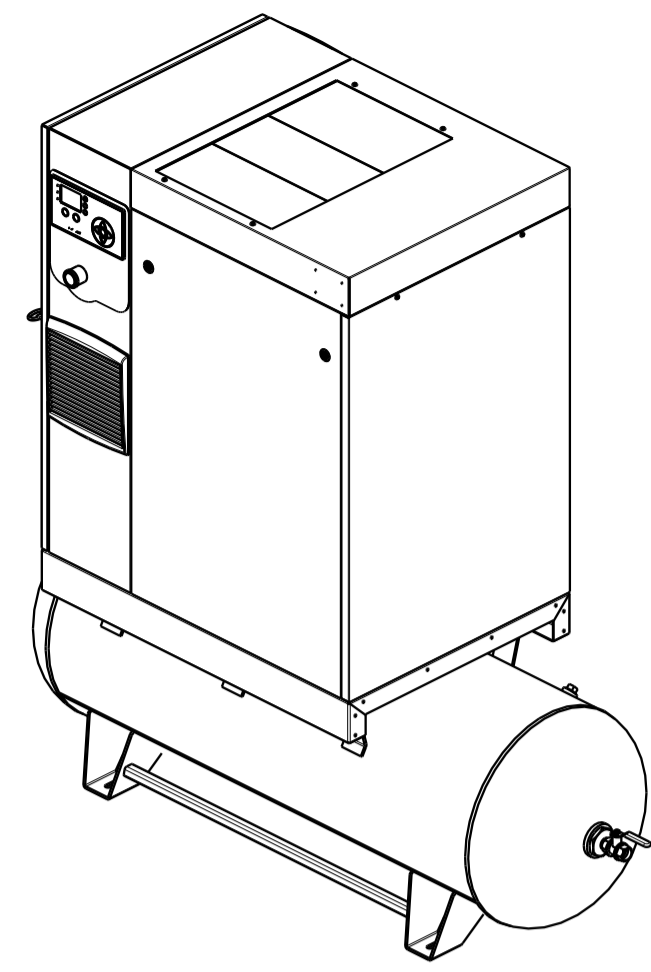
GENERAL ARRANGEMENT WITH RECEIVER - DRYER



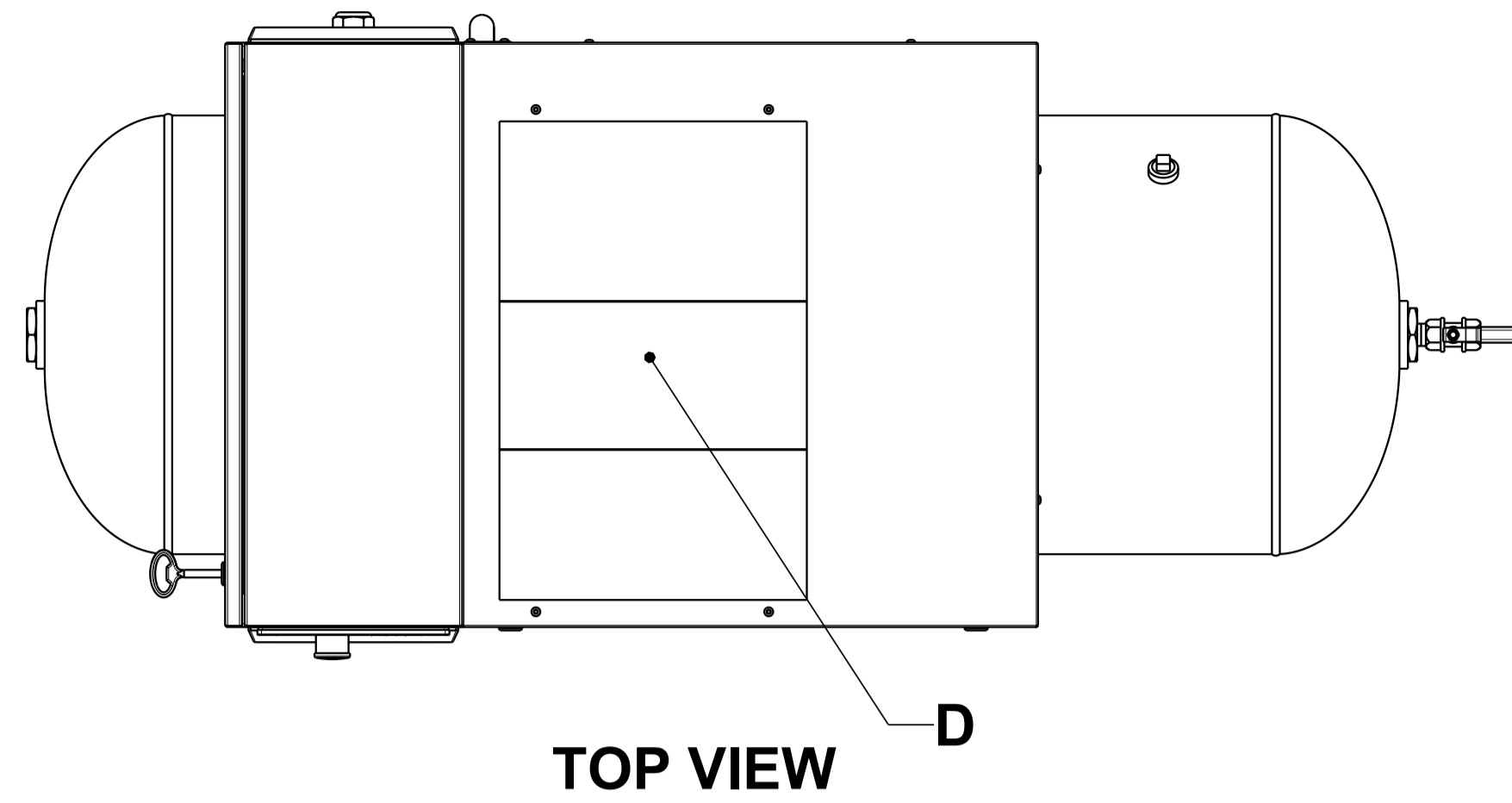
THESE VIEWS ARE SHOWN FOR REFERENCE ONLY

<small>PROPRIETARY NOTICE</small> <small>THIS DRAWING CONTAINS CONFIDENTIAL AND TRADE SECRET INFORMATION. IS THE PROPERTY OF INGERSOLL-RAND CO. AND IS GIVEN TO THE RECEIVER IN CONFIDENCE. THE RECEIVER BY RECEIPT AND RETENTION OF THIS DRAWING ACCEPTS THE DRAWING IN CONFIDENCE AND AGREES THAT, EXCEPT AS AUTHORIZED IN WRITING BY INGERSOLL-RAND CO., IT WILL (1) NOT USE THE DRAWING OR ANY COPY THEREOF OR THE CONFIDENTIAL OR TRADE SECRET INFORMATION THEREIN; (2) NOT COPY THE DRAWING; (3) NOT DISCLOSE TO OTHERS EITHER THE DRAWING OR THE CONFIDENTIAL OR TRADE SECRET INFORMATION THEREIN; AND (4) UPON COMPLETION OF THE NEED TO RETAIN THE DRAWING, OR UPON DEMAND, RETURN THE DRAWING, ALL COPIES THEREOF, AND ALL MATERIAL COPIED THEREFROM.</small>		NAME GENERAL ARRANGEMENT, R4-11KW 80G RECEIVER MOUNTED	
SIZE A1	DWG NO. 47518742001	REVISION C	
SCALE 0.18	NOMENCLATURE	SHEET 5 OF 10	

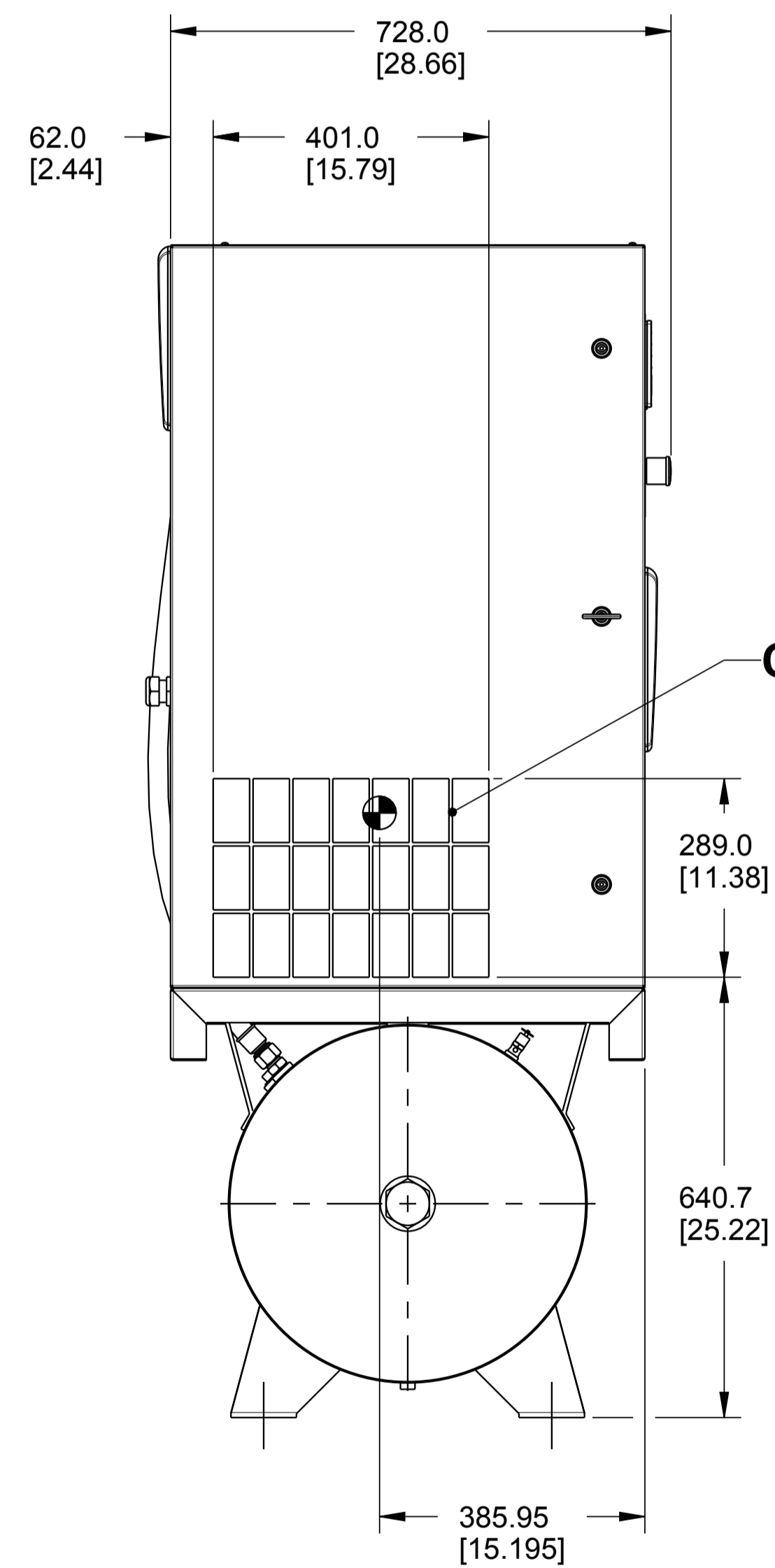
GENERAL ARRANGEMENT WITH RECEIVER - NO DRYER



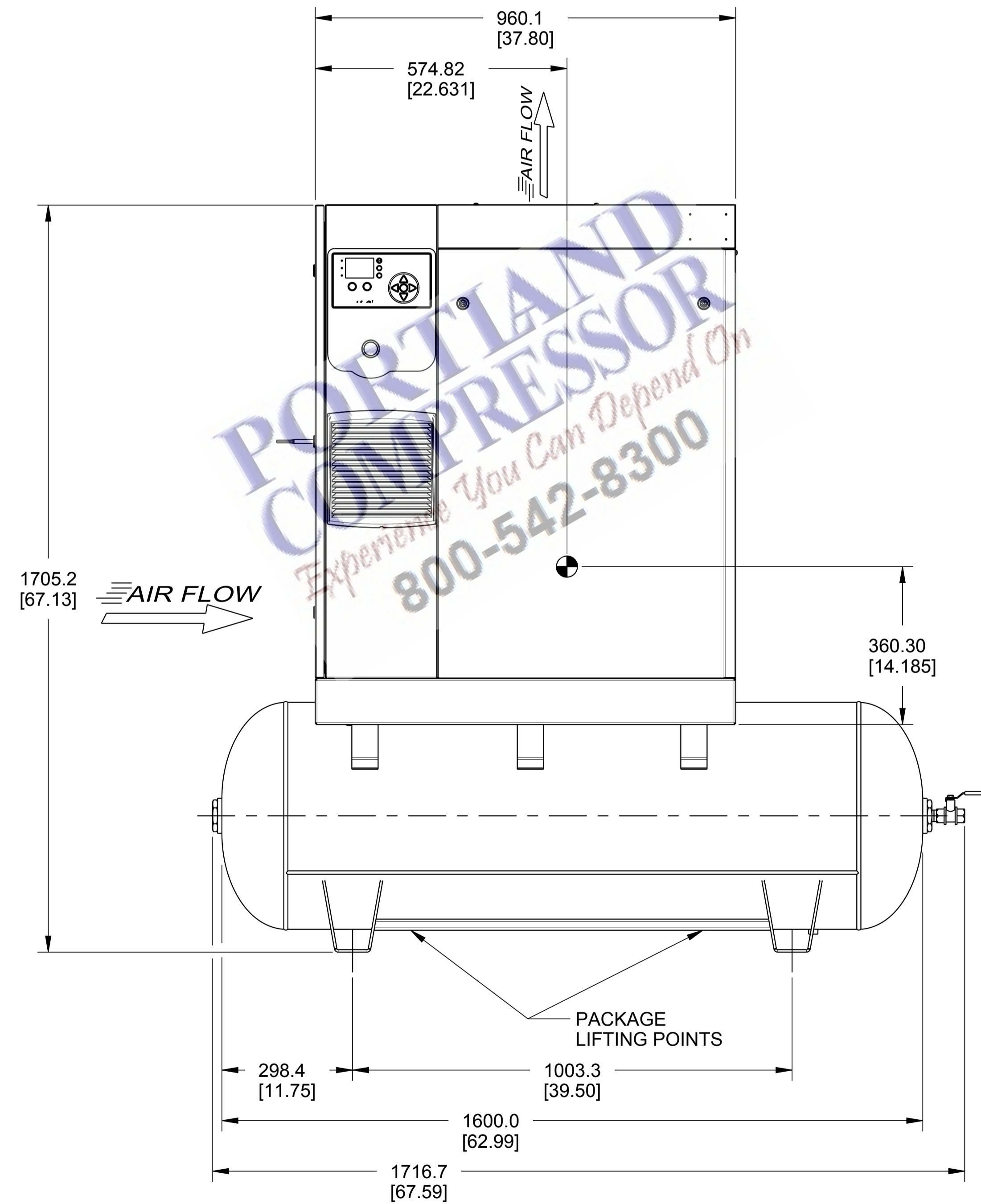
THIS VIEW IS SHOWN FOR REFERENCE ONLY



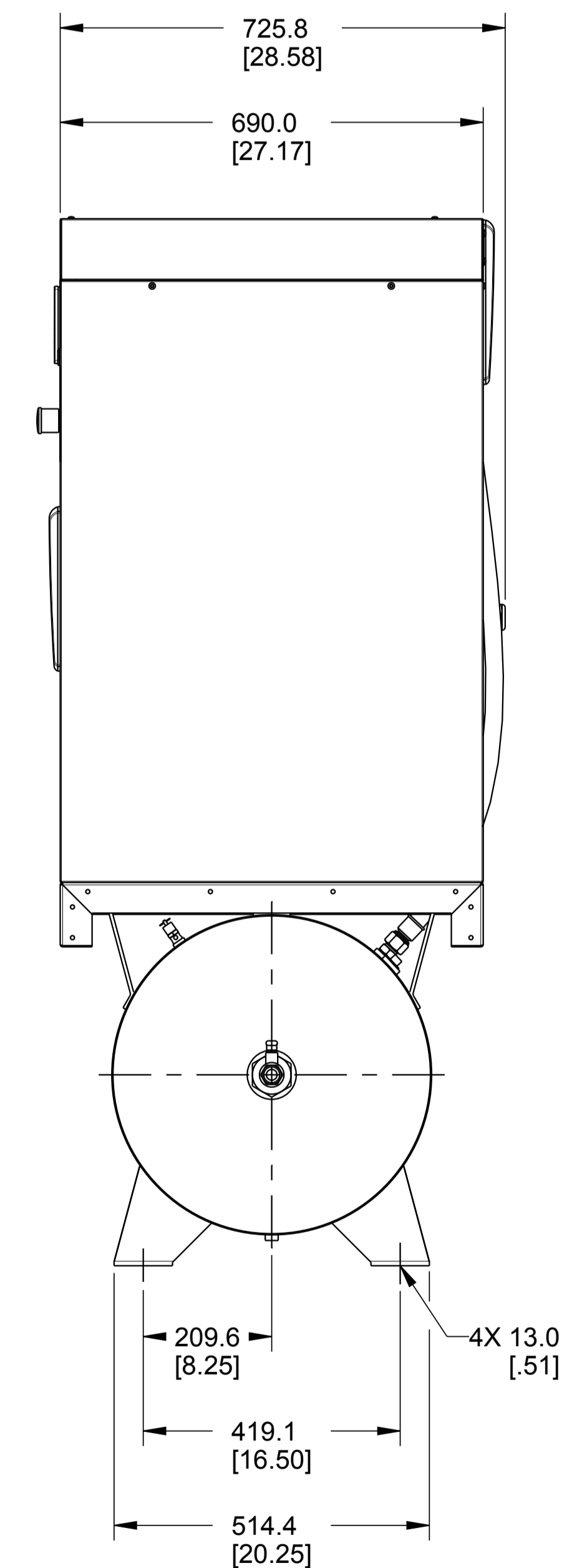
TOP VIEW



LEFT VIEW



FRONT VIEW

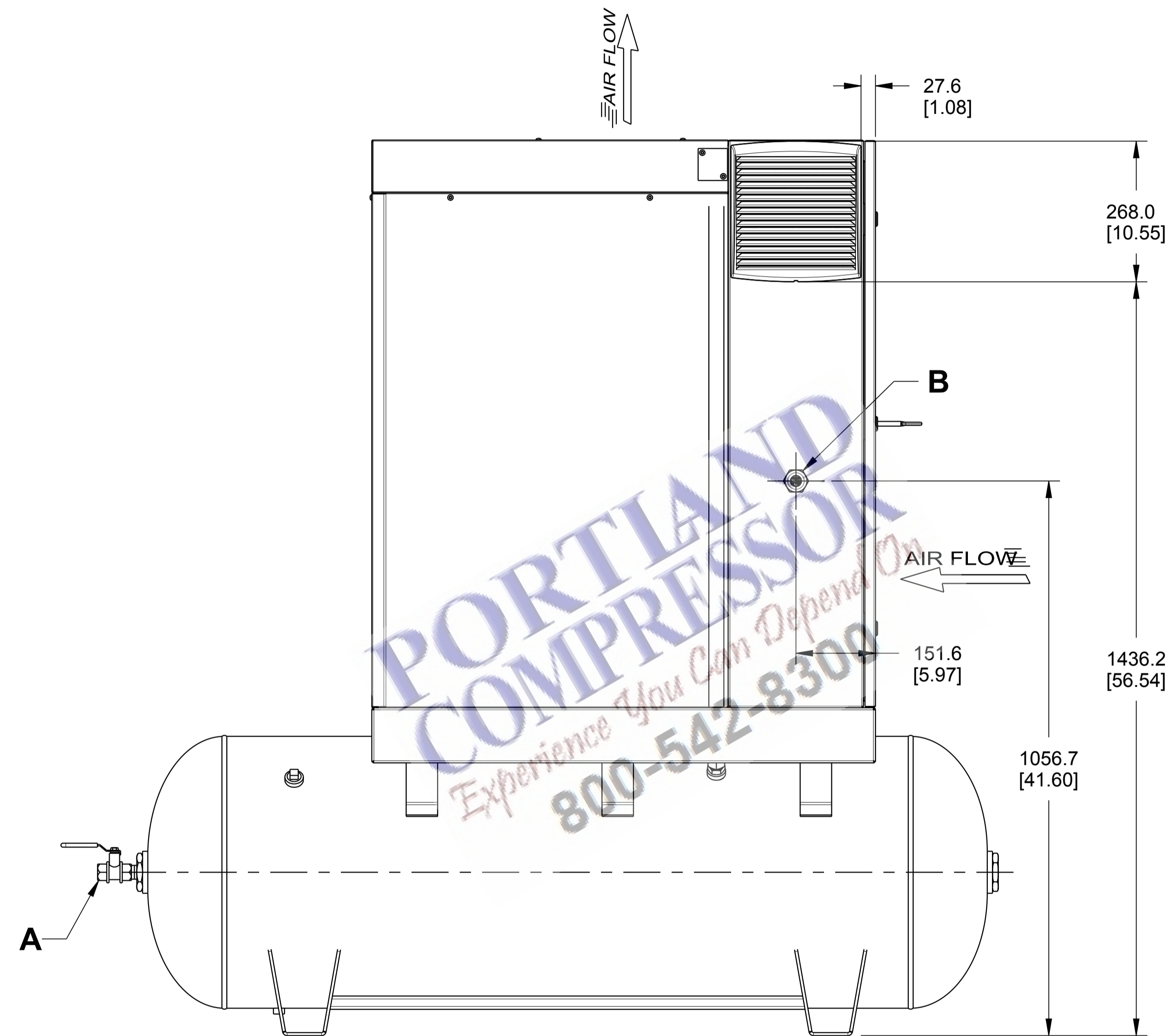


RIGHT VIEW

PORTLAND COMPRESSOR
Experience You Can Depend On
 800-542-8300

<small>PROPRIETARY NOTICE</small> THIS DRAWING CONTAINS CONFIDENTIAL AND TRADE SECRET INFORMATION IS THE PROPERTY OF INGERSOLL-RAND CO. AND IS GIVEN TO THE RECEIVER IN CONFIDENCE. THE RECEIVER BY RECEIPT AND RETENTION OF THIS DRAWING ACCEPTS THE DRAWING IN CONFIDENCE AND AGREES THAT, EXCEPT AS AUTHORIZED IN WRITING BY INGERSOLL-RAND CO., IT WILL (1) NOT USE THE DRAWING OR ANY COPY THEREOF OR THE CONFIDENTIAL OR TRADE SECRET INFORMATION THEREIN; (2) NOT COPY THE DRAWING; (3) NOT DISCLOSE TO OTHERS EITHER THE DRAWING OR THE CONFIDENTIAL OR TRADE SECRET INFORMATION THEREIN; AND (4) UPON COMPLETION OF THE NEED TO RETAIN THE DRAWING OR UPON DEMAND, RETURN THE DRAWING, ALL COPIES THEREOF, AND ALL MATERIAL COPIED THEREFROM.		NAME GENERAL ARRANGEMENT, R4-11KW 80G RECEIVER MOUNTED	
SIZE A1	DWG NO. 47518742001	REVISION C	
SCALE 0.13	NOMENCLATURE	SHEET 6 OF 10	

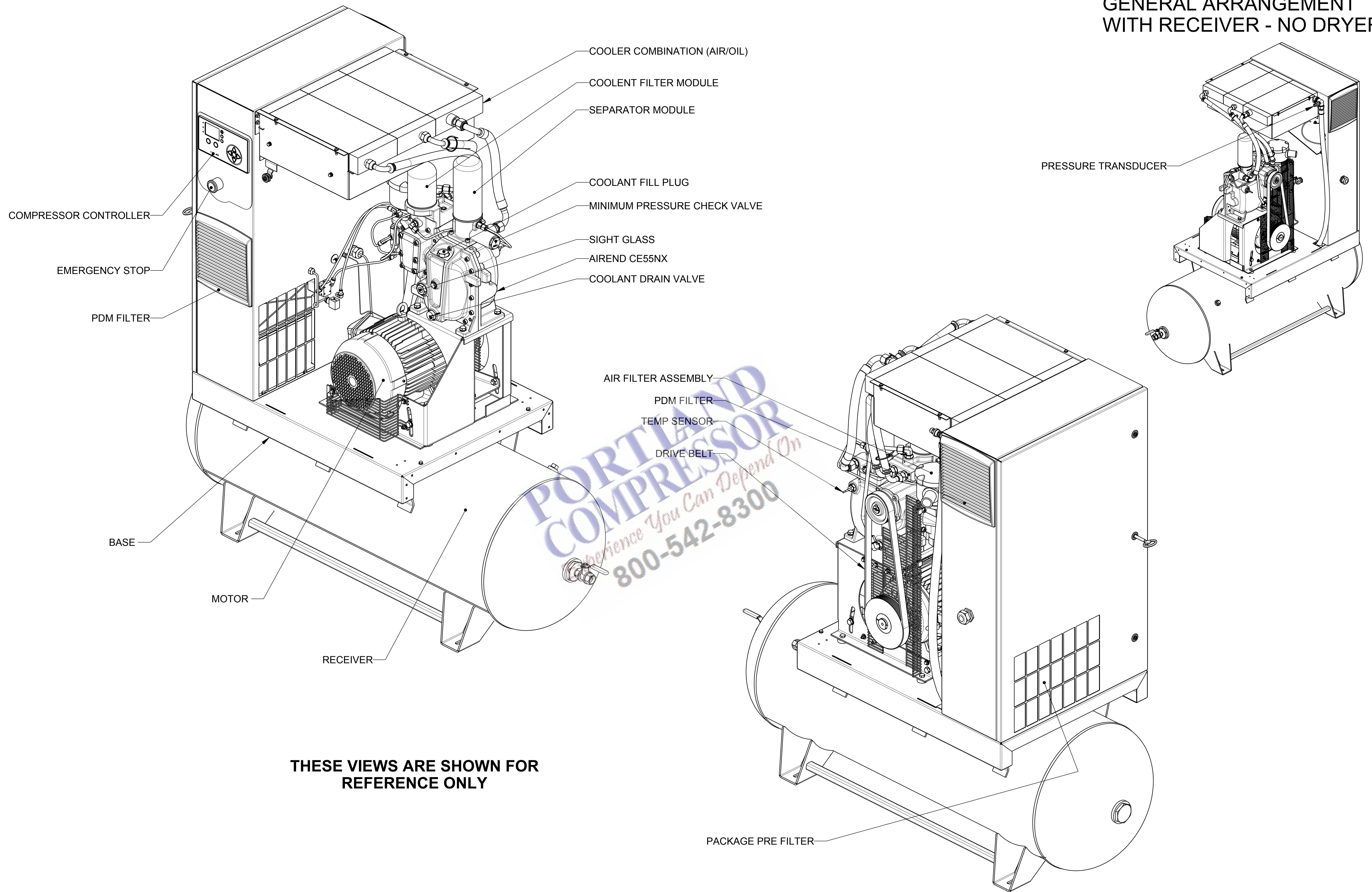
GENERAL ARRANGEMENT WITH RECEIVER - NO DRYER



BACK VIEW

<small>PROPRIETARY NOTICE THIS DRAWING CONTAINS CONFIDENTIAL AND TRADE SECRET INFORMATION. IS THE PROPERTY OF INGERSOLL-RAND CO. AND IS GIVEN TO THE RECEIVER IN CONFIDENCE. THE RECEIVER BY RECEIPT AND RETENTION OF THIS DRAWING ACCEPTS THE DRAWING IN CONFIDENCE AND AGREES THAT, EXCEPT AS AUTHORIZED IN WRITING BY INGERSOLL-RAND CO. IT WILL (1) NOT USE THE DRAWING OR ANY COPY THEREOF OR THE CONFIDENTIAL OR TRADE SECRET INFORMATION THEREIN; (2) NOT COPY THE DRAWING; (3) NOT DISCLOSE TO OTHERS EITHER THE DRAWING OR THE CONFIDENTIAL OR TRADE SECRET INFORMATION THEREIN; AND (4) UPON COMPLETION OF THE NEED TO RETAIN THE DRAWING OR UPON DEMAND, RETURN THE DRAWING, ALL COPIES THEREOF, AND ALL MATERIAL COPIED THEREFROM.</small>		NAME GENERAL ARRANGEMENT, R4-11KW 80G RECEIVER MOUNTED	
SIZE A1	DWG NO. 47518742001	REVISION C	
SCALE 0.15 NOMENCLATURE		SHEET 7 OF 10	

GENERAL ARRANGEMENT WITH RECEIVER - NO DRYER

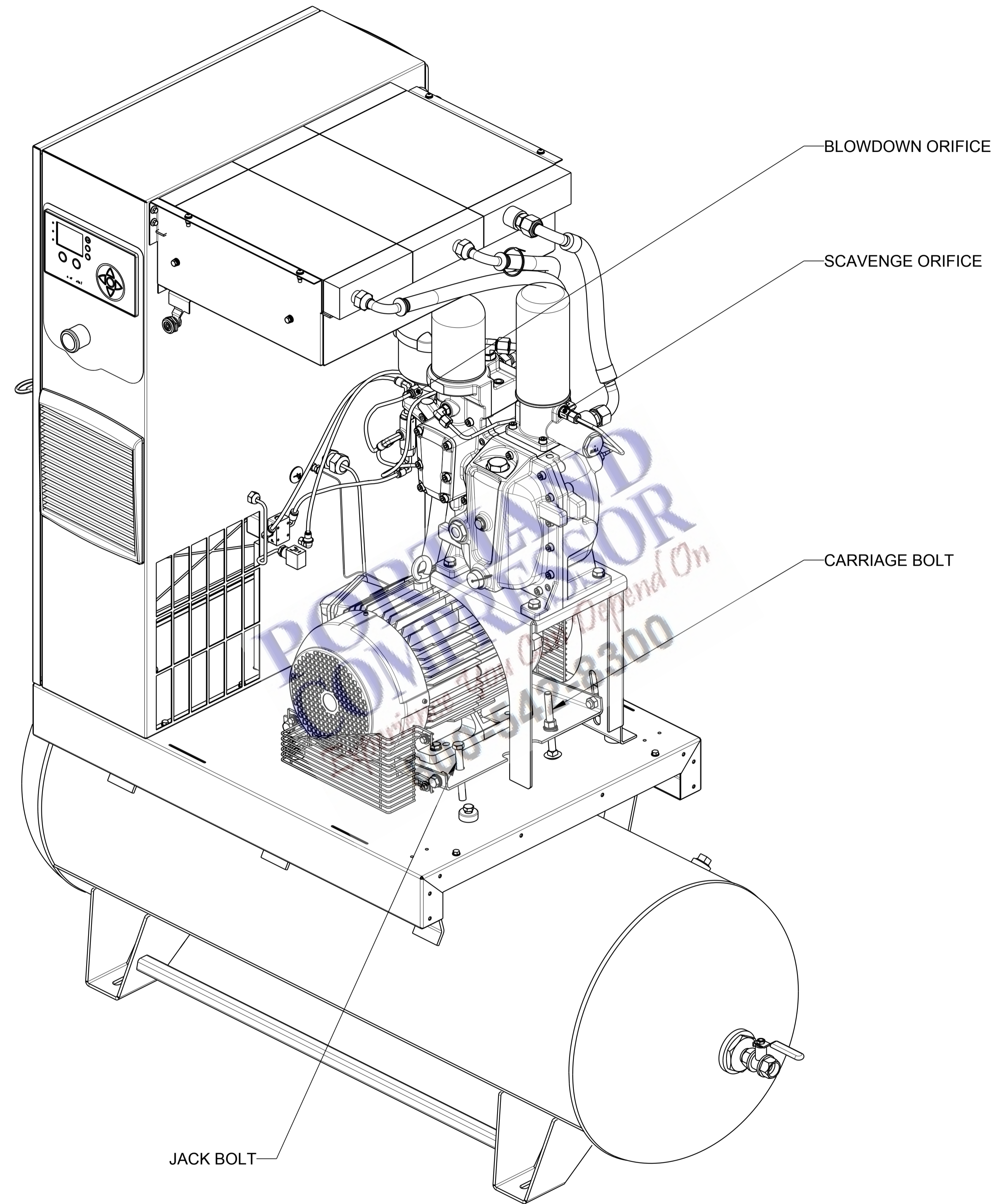


THESE VIEWS ARE SHOWN FOR REFERENCE ONLY

PORTLAND COMPRESSOR
Experience You Can Depend On
800-542-8300

<small>PROPRIETARY NOTICE</small> <small>THIS DRAWING CONTAINS CONFIDENTIAL AND TRADE SECRET INFORMATION IS THE PROPERTY OF INGERSOLL-RAND CO. AND IS GIVEN TO THE RECEIVER IN CONFIDENCE. THE RECEIVER BY RECEIPT AND RETENTION OF THIS DRAWING ACCEPTS THE DRAWING IN CONFIDENCE AND AGREES THAT, EXCEPT AS AUTHORIZED IN WRITING BY INGERSOLL-RAND CO. IT WILL (1) NOT USE THE DRAWING OR ANY COPY THEREOF OR THE CONFIDENTIAL OR TRADE SECRET INFORMATION THEREIN, (2) NOT COPY THE DRAWING, (3) NOT DISCLOSE TO OTHERS EITHER THE DRAWING OR THE CONFIDENTIAL OR TRADE SECRET INFORMATION THEREIN, AND (4) UPON COMPLETION OF THE NEED TO RETAIN THE DRAWING OR UPON DEMAND, RETURN THE DRAWING, ALL COPIES THEREOF, AND ALL MATERIAL COPIED THEREFROM.</small>		<small>NAME</small> GENERAL ARRANGEMENT, R4-11KW 80G RECEIVER MOUNTED	
<small>SIZE</small> A1	<small>DWG NO.</small> 47518742001	<small>REVISION</small> C	
<small>SCALE</small> 0.18	<small>NOMENCLATURE</small>	<small>SHEET</small> 8 OF 10	

GENERAL ARRANGEMENT WITH RECEIVER - NO DRYER



**THIS VIEW IS SHOWN FOR
REFERENCE ONLY**

<small>PROPRIETARY NOTICE THIS DRAWING CONTAINS CONFIDENTIAL AND TRADE SECRET INFORMATION IS THE PROPERTY OF INGERSOLL-RAND CO. AND IS GIVEN TO THE RECEIVER IN CONFIDENCE. THE RECEIVER BY RECEIPT AND RETENTION OF THE DRAWING ACCEPTS THE DRAWING IN CONFIDENCE AND AGREES THAT, EXCEPT AS AUTHORIZED IN WRITING BY INGERSOLL-RAND CO. IT WILL (1) NOT USE THE DRAWING OR ANY COPY THEREOF OR THE CONFIDENTIAL OR TRADE SECRET INFORMATION THEREIN, (2) NOT COPY THE DRAWING, (3) NOT DISCLOSE TO OTHERS EITHER THE DRAWING OR THE CONFIDENTIAL OR TRADE SECRET INFORMATION THEREIN, AND (4) UPON COMPLETION OF THE NEED TO RETAIN THE DRAWING, OR UPON DEMAND, RETURN THE DRAWING, ALL COPIES THEREOF, AND ALL MATERIAL COPIED THEREFROM.</small>		NAME GENERAL ARRANGEMENT, R4-11KW 80G RECEIVER MOUNTED	
SIZE A1	DWG NO. 47518742001	REVISION C	
SCALE 0.20	NOMENCLATURE	SHEET 9 OF 10	