

**INGERSOLL-RAND®**  
**AIR COMPRESSORS**

Ingersoll-Rand Company  
Reciprocating Compressor Division  
Small Compressor Business Unit  
Campbellsville, KY 42718

## **PARTS LIST**

**T30 MODEL 7100  
TWO STAGE  
INDUSTRIAL  
AIR COMPRESSOR**

**PORTLAND  
COMPRESSOR**  
*Experience You Can Depend On*  
**800-542-8300**



**PORTLAND  
COMPRESSOR**  
*Experience You Can Depend On*  
**800-542-8300**

**GENERAL INFORMATION**

This manual contains an illustrated breakdown of the unit into assemblies, subassemblies and detail parts required for maintenance and repair. Please retain this manual for reference.

**COLUMNS**

Each parts list is divided into the following columns:

**Reference Number.** This column lists the figure number for the illustration, followed by the call-out number on the illustration which identifies that item. For example, figure number 3, item number 5 would be written as 3-5 in this column. The reference number is usually not required for ordering parts or kits.

The following abbreviations might appear in the Reference Number column:

- NI = Not Illustrated.
- REF = Reference Only. You may be referred to a figure and page noted in the Description column.

Additional abbreviations or symbols used are defined below the parts list.

**Description.** The description column identifies items by standard name (nomenclature) and modifiers. The modifiers are used to identify specific characteristics (dimensions, capacity, pressure setting, etc.), and/or the particular location or function on the unit. The relationship of a subassembly or component part to higher assemblies is shown by "bullet" (•) symbols. Assemblies which are broken down in separate lists and illustrations show the appropriate figure number and page reference after the item description. Always provide the part description when ordering.

REF. NO.	PART NO.	DESCRIPTION	QTY.			SPARES		
3-1	95344651	PLUG, PIPE - HEX HEAD 1/2"				1	2	3
3-2	95640009	NIPPLE, LONG - 1/2" X 1/2"						
3-3	32179081	COUPLING, PIPE - 1/2"						
3-4	30216955	PLUG, OIL FILLER COMPLETE						
•	95018149	* O - RING				1	1	2
3-6	32000855	DECAL, HAND TIGHTEN						
3-7	95227302	CAPSCREW - HEX 5/16-18 X 7/8"				5		
3-8	95079984	CAPSCREW - HEX 5/16-18 X 1-1/4"				1		
3-9	95674651	GASKET - COPPER WASHER						
3-10	37127107	COVER, FRAME END						
3-11	30299226	GASKET, FRAME END COVER				1	1	2
3-12	95077798	NUT - HEX 1/2-13						
3-13	95716690	LOCKWASHER, SPRING - 1/2"				1		
3-14	95053682	CAPSCREW - HEX 1/2-13 X 3-1/2"				1		
3-15	30212906	WHEEL, V-BELT						
3-16	37007589	VALVE, PILOT				1	1	1
3-17	37007517	PIN ASSEMBLY, THRUST				1	1	2
3-18	95099289	LOCKWIRE, 12 GA X 5"				1		
3-19	95044111	CAPSCREW - HEX 1/4-20 X 3/4"				2		

**Quantity.** Quantities listed in this column reflect the number of each item used in the next higher assembly, and are not necessarily the total quantity of the part used on the unit. Specify the desired quantity when ordering.

**Part Number.** Items listed in this column bear Ingersoll-Rand part numbers. Specify the part number when ordering spare or replacement parts.

The following abbreviations or symbols might appear in the Part Number column:

- NSS = Not Sold Separately. Such items must be ordered as part of the next higher assembly or, where applicable, as part of a Step Saver Kit.
- \*\* = Part number will vary.

Additional abbreviations or symbols used are defined below the applicable parts list.

**Spares.** Quantities under this heading reflect the number of each item which we recommend be kept on hand for maintenance or repair. The appropriate quantity for your application will depend on how critical interruptions in service are to your operation.

Class	Quantity	Suggested for
1	Minimum	Domestic service where interruptions in service are acceptable.
2	Average	Domestic service where some interruptions in service are acceptable.
3	Maximum	Export service or for domestic service where interruptions in service are unacceptable.

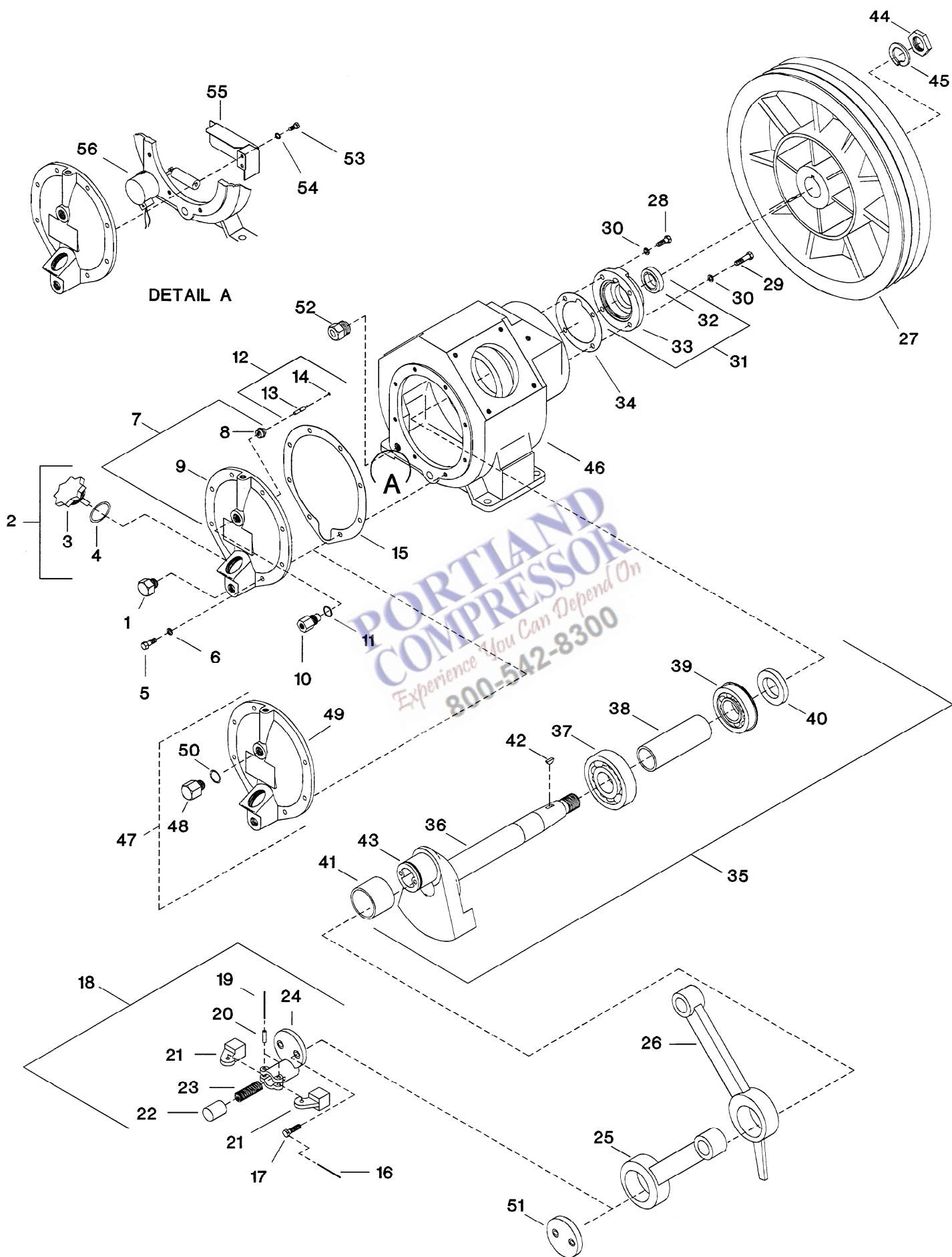
**ORDERING INSTRUCTIONS**

All parts listed in this manual can be ordered through your local Ingersoll-Rand Air Center or Distributor. Consult the Directory of Distributors included with the unit to find the Air Center or Distributor in your area.

When ordering, provide the following information:

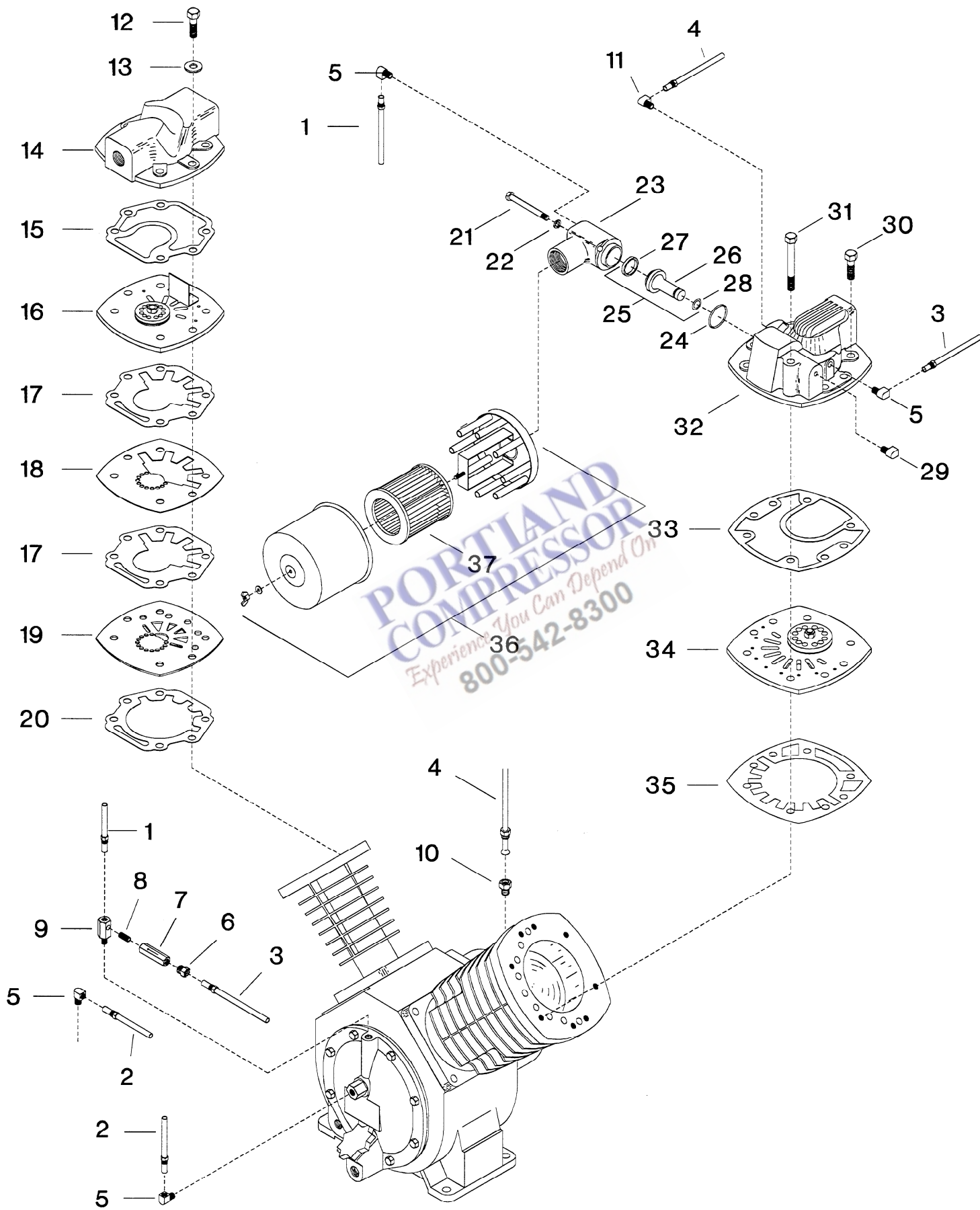
- The **model number** and **serial number** stamped on the unit nameplate.
- The **form number** of this manual, as indicated in the lower right-hand corner of the front cover.
- The **quantity**, **description**, and **part number** of the part(s) you are ordering.

FIGURE 1. COMPRESSOR FRAME ASSEMBLY.



REF. NO.	PART NO.	DESCRIPTION	QTY.	SPARES		
				1	2	3
1-1	95344651	PLUG, PIPE - HEX HEAD 1/2"	1			
1-2	32195083	PLUG, OIL GAUGE - COMPLETE	1			
1-3	NSS	• PLUG, OIL GAUGE	1			
1-4	95022158	• O-RING - OIL GAUGE PLUG	1	1	1	2
1-5	95053146	CAPSCREW - HEX 3/8-16 X 7/8"	8			
1-6	95674677	GASKET, COPPER WASHER - 3/8"	8			
1-7	31246572	ASS'Y, FRAME END COVER (UNITS WITH CENTRIFUGAL UNLOADER)	1			
1-8	37128261	• BUSHING, PILOT VALVE	1			
1-9	NSS	• COVER, FRAME END	1			
1-10	37113701	VALVE, PILOT (IF SUPPLIED)	1		1	1
1-11	30346597	WASHER, COPPER	1			
1-12	32218406	ASS'Y, THRUST PIN (IF SUPPLIED)	1			
1-13	NSS	• PIN, THRUST	1			
1-14	95210225	• O-RING	1	1	1	2
1-15	30439277	GASKET, FRAME END COVER	1	1	1	2
1-16	90799289	LOCKWIRE - 12 GA X 5"	1			
1-17	95101929	CAPSCREW - HEX 3/8-16 X 1"	2			
1-18	30290936	ASS'Y, CRANKPIN CAP - CENTRIFUGAL UNLOADER (UNITS WITH CENTRIFUGAL UNLOADER)	1			
1-19	90799271	• LOCKWIRE - 12 GA X 5"	1			
1-20	30214951	• PIN, CENTRIFUGAL UNLOADER WEIGHT	2			
1-21	30220875	• WEIGHT, CENTRIFUGAL UNLOADER	2			
1-22	30285688	• PLUNGER, CENTRIFUGAL UNLOADER	1			
1-23	30672281	• SPRING, CENTRIFUGAL UNLOADER	1			1
1-24	30210322	• BODY, CRANKPIN CAP	1			
1-25	32003659	ROD, CONNECTING - FIRST STAGE LOW PRESSURE	1		1	1
1-26	30217327	ROD, CONNECTING - SECOND STAGE HIGH PRESSURE	1		1	1
1-27	32177206	WHEEL, V-BELT	1			
1-28	95053146	CAPSCREW - HEX 3/8-16 X 7/8"	2			
1-29	95043766	CAPSCREW - HEX 3/8-16 X 1-1/4"	2			
1-30	95674677	GASKET, COPPER WASHER - 3/8"	4			
1-31	37125333	ASS'Y, SHAFT END COVER	1			
1-32	32204588	• SEAL	1		1	2
1-33	NSS	• COVER, SHAFT END	1			
1-34	30295166	GASKET, SHAFT END COVER	1	1	1	2
1-35	30211627	ASS'Y, CRANKSHAFT - COMPLETE	1			
1-36	NSS	• ASS'Y, DISC AND SHAFT	1			
1-37	95305652	• BEARING, BALL	1			
1-38	30218432	• SPACER, MAIN BEARING	1			
1-39	95213971	• BEARING, BALL - WITH SNAP RING	1			
1-40	30216808	• RING, BEARING RETAINER	1			
1-41	37002375	• BUSHING, CRANKPIN	1			
1-42	95047437	• KEY, WOODRUFF	1			
1-43	32187684	• LOCTITE 609 - TUBE	.5 MIL			
1-44	30835698	NUT, V-BELT WHEEL	1			
1-45	95064747	LOCKWASHER, SPRING - 1-3/8"	1			
1-46	32270571	FRAME, COMPRESSOR	1			
1-47	97335749	ASS'Y, FRAME END COVER (UNITS WITHOUT CENTRIFUGAL UNLOADER)	1			
1-48	30221311	PLUG, FRAME END COVER	1			
1-49	NSS	• COVER, FRAME END	1			
1-50	30346597	WASHER, 7/8"	1			
1-51	30210348	CAP, CRANKPIN (UNITS WITHOUT CENTRIFUGAL UNLOADER)	1			
1-52	97334270	GLASS, OIL SIGHT (IF PROVIDED)	1			
		<b>DETAIL A - LOW OIL LEVEL SWITCH (IF PROVIDED)</b>				
1-53	95053070	CAPSCREW - HEX 1/4-20 X 1/2"	2			
1-54	95043196	LOCKWASHER, SPRING - 1/4"	2			
1-55	30285548	BAFFLE, LOW OIL LEVEL SWITCH	1			
1-56	32276313	SWITCH, LOW OIL LEVEL - NEMA 1	1			

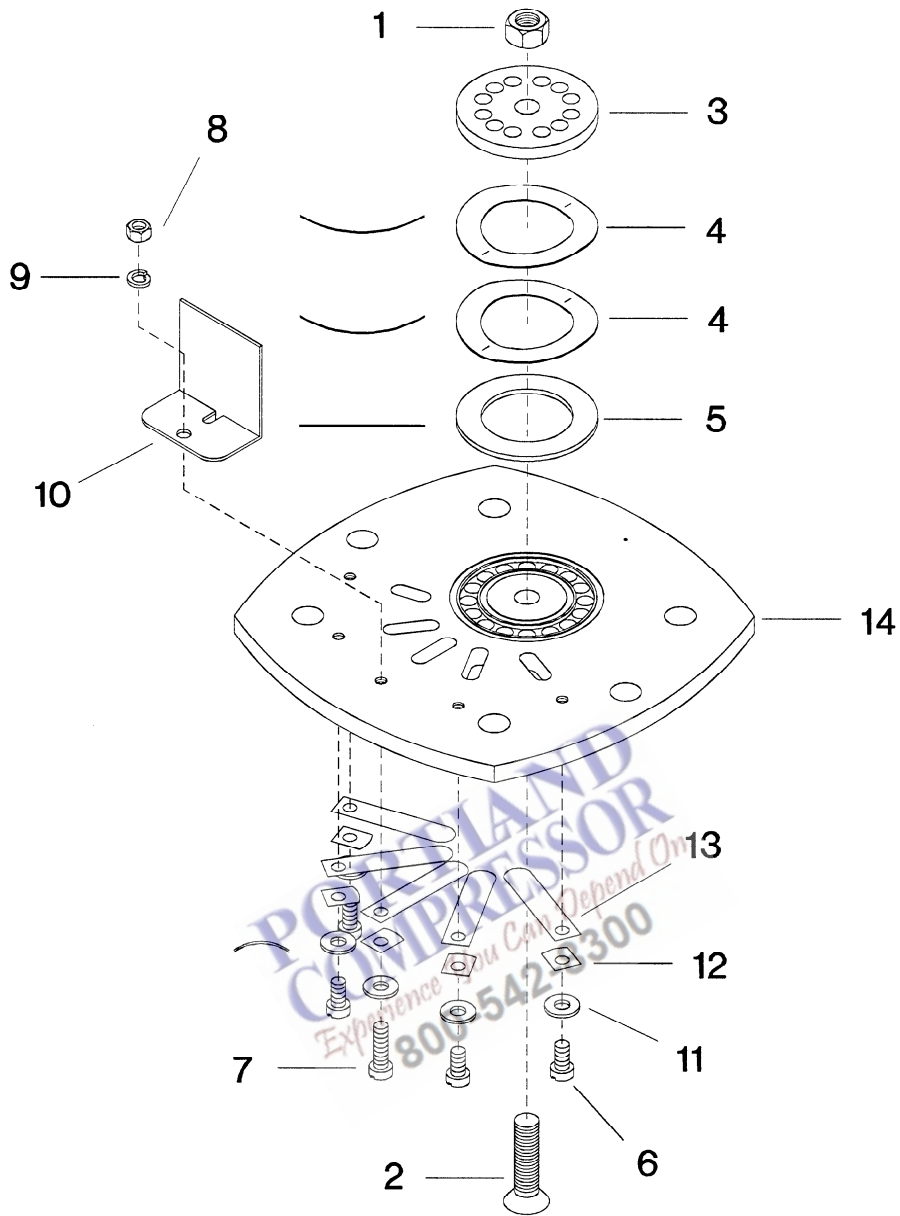
FIGURE 2. MODEL 7100 BARE COMPRESSOR.





REF. NO.	PART NO.	DESCRIPTION	QTY.	SPARES		
				1	2	3
2-1	32203440	ASS'Y, TUBE - FRAME END COVER/UNLOADER COVER - 5/16" DIA. (IF SUPPLIED)	1			
2-2	32183717	ASS'Y, TUBE - PILOT VALVE/2ND STAGE MANIFOLD - 5/16" DIA. (IF SUPPLIED)	1			
2-3	32200529	ASS'Y, TUBE - CHECK VALVE/RIGHT-HAND HEAD - 5/16" DIA. (IF SUPPLIED)	1			
2-4	32200560	ASS'Y, TUBE - BREATHER - 3/8" DIA.	1			
2-5	95110441	ELBOW, TUBE - 5/16 X 1/4" (IF SUPPLIED)	4			
2-6	95082483	CONNECTOR, TUBE - 5/16 X 1/8" (IF SUPPLIED)	1			
2-7	32001141	VALVE, CHECK (IF SUPPLIED)	1			
2-8	95796017	NIPPLE, CLOSE - 1/8 X 3/4" (IF SUPPLIED)	1			
2-9	32203242	CONNECTOR, TUBE - 5/16 X 1/4" MALE LONG (IF SUPPLIED)	1			
2-10	95083143	CONNECTOR, MALE - 3/8 X 1/4"	1			
2-11	95040143	ELBOW, TUBE - 3/8 X 1/4"	1			
2-12	95104196	CAPSCREW - HEX 1/2-13 X 2"	6			
2-13	32060006	WASHER, FLAT - 1/2"	6			
2-14	32172199	HEAD, SECOND STAGE - HIGH PRESSURE	1			
2-15	32252801	GASKET, HEAD - SECOND STAGE	1	1	1	2
2-16	32228322	ASS'Y, VALVE PLATE - SECOND STAGE (SEE FIG. 3, PAGE 8)	1		1	2
2-17	32252819	GASKET, SPACER PLATE - SECOND STAGE	2	2	2	4
2-18	32228280	PLATE, SPACER - SECOND STAGE	1			
2-19	32228272	PLATE, DISC - SECOND STAGE	1			
2-20	32252827	GASKET, VALVE PLATE - SECOND STAGE	1	1	1	2
2-21	95035259	CAPSCREW - HEX 5/16-18 X 3-3/4"	2			
2-22	95043188	LOCKWASHER, SPRING - 5/16"	2			
2-23	32174336	COVER, UNLOADER	1			
2-24	95026183	O-RING	1	1	1	2
2-25	32256257	ASS'Y, UNLOADER PISTON (IF SUPPLIED)	1			
2-26	NSS	• PISTON, UNLOADER	1	1	1	2
2-27	32254740	• SEAL, UNLOADER PISTON	1	2	2	4
2-28	32188385	• O-RING, UNLOADER PISTON	1	2	2	4
2-29	32256356	ELBOW, ORIFICE - UNLOADER (IF SUPPLIED)	1			
2-30	95104188	CAPSCREW - HEX 1/2-13 X 1-3/4"	7			
2-31	95104279	CAPSCREW - HEX 1/2-13 X 4-1/4"	1			
2-32	32172207	HEAD, FIRST STAGE - LOW PRESSURE	1			
2-33	32172926	GASKET, HEAD - FIRST STAGE	1	1	1	2
2-34	32228330	ASS'Y, VALVE PLATE - FIRST STAGE (SEE FIG. 4, PAGE 9)	1		1	2
2-35	32172942	GASKET, VALVE PLATE - FIRST STAGE	1	1	1	2
2-36	32109779	FILTER, INLET - COMPLETE	1			
2-37	32012957	• ELEMENT, FILTER - 10 MICRON	1	2	2	2

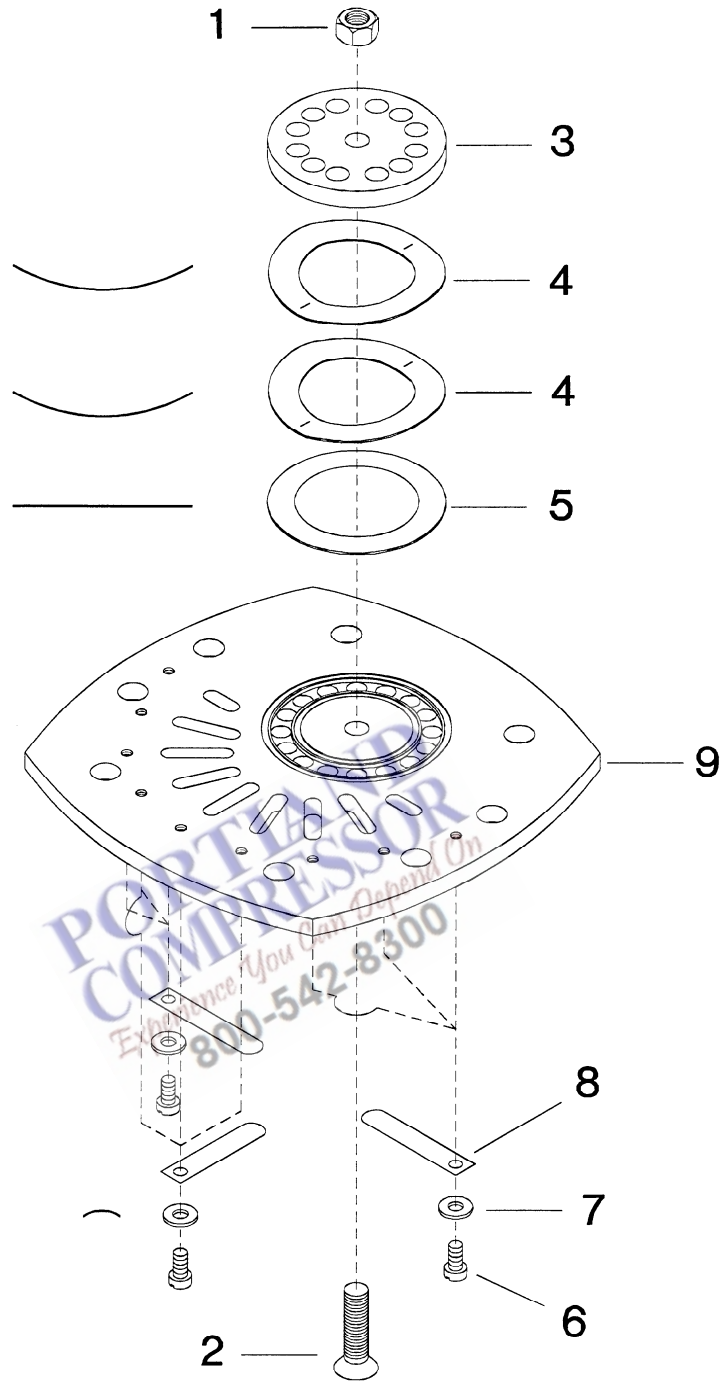
FIGURE 3. SECOND STAGE (HIGH PRESSURE) VALVE PLATE ASSEMBLY.



REF. NO.	PART NO.	DESCRIPTION	QTY.	SPARES		
				1	2	3
REF.	32228322	ASS'Y, SECOND STAGE VALVE PLATE (SEE 2-16)	1		1	2
3-1	97166946	• NUT, WHIZ-LOCK - 7/16-14 HEX	1	1	1	1
3-2	32223927	• BOLT, VALVE	1	1	1	1
3-3	32228264	• PLATE, STOP - DISCHARGE	1			
3-4	30221394	• SPRING, VALVE - DISCHARGE	2	2	2	2
3-5	30215917	• PLATE, VALVE - DISCHARGE	1	1	1	1
3-6	32035511	• SCREW, FILLISTER HEAD - 1/4-20 X 3/8"	4	4	4	4
3-7	32224008	• SCREW, MACHINE - FILLISTER HEAD - 1/4-20 X 3/4"	1	1	1	1
3-8	95416335	• NUT, HEX - 1/4-20	1	1	1	1
3-9	32035479	• LOCKWASHER, SPRING - 1/4"	1	1	1	1
3-10	32223919	• DIFFUSER, VALVE PLATE	1			
3-11	32217382	• WASHER, BELLEVILLE - 1/4"	5	5	5	5
3-12	32228306	• RETAINER, FINGER VALVE	5	5	5	5
3-13	30220115	• VALVE, FINGER	5	5	5	5
3-14	32228256	• PLATE, VALVE SEAT	1			

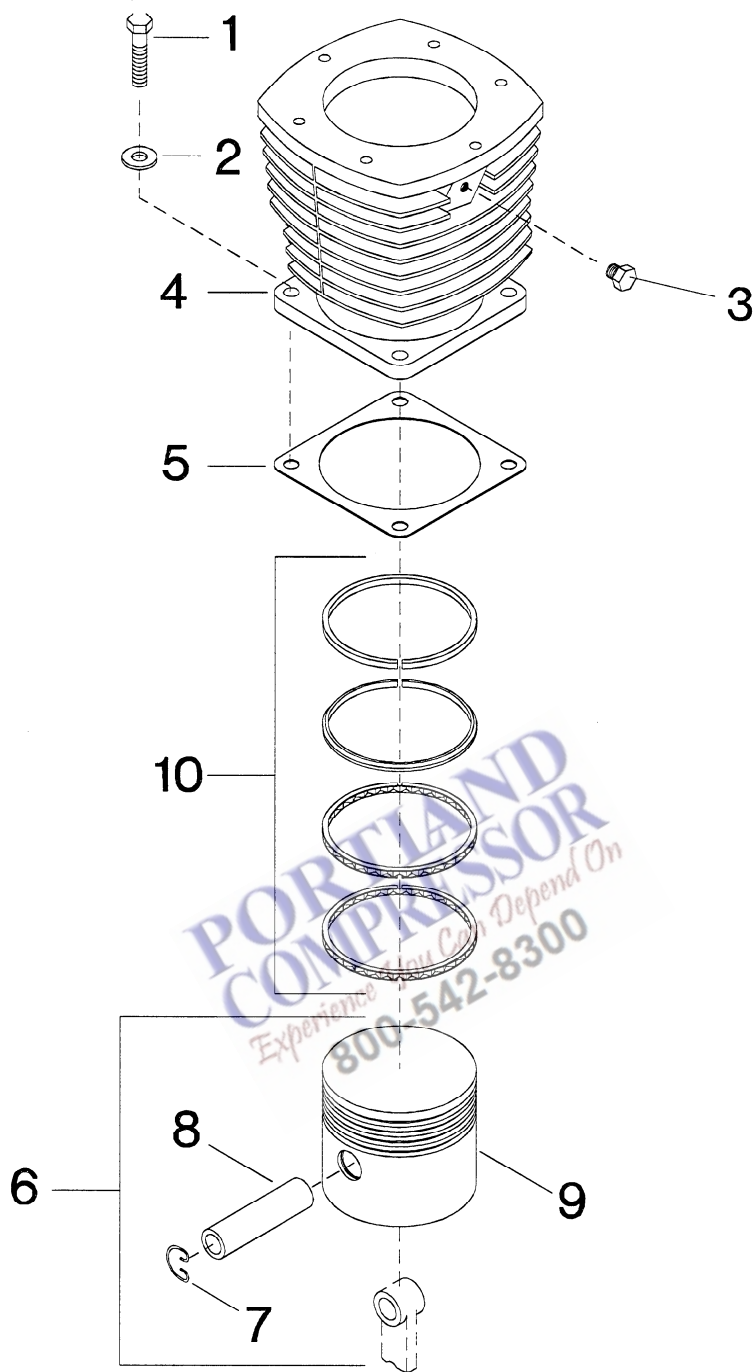


FIGURE 4. FIRST STAGE (LOW PRESSURE) VALVE PLATE ASSEMBLY.



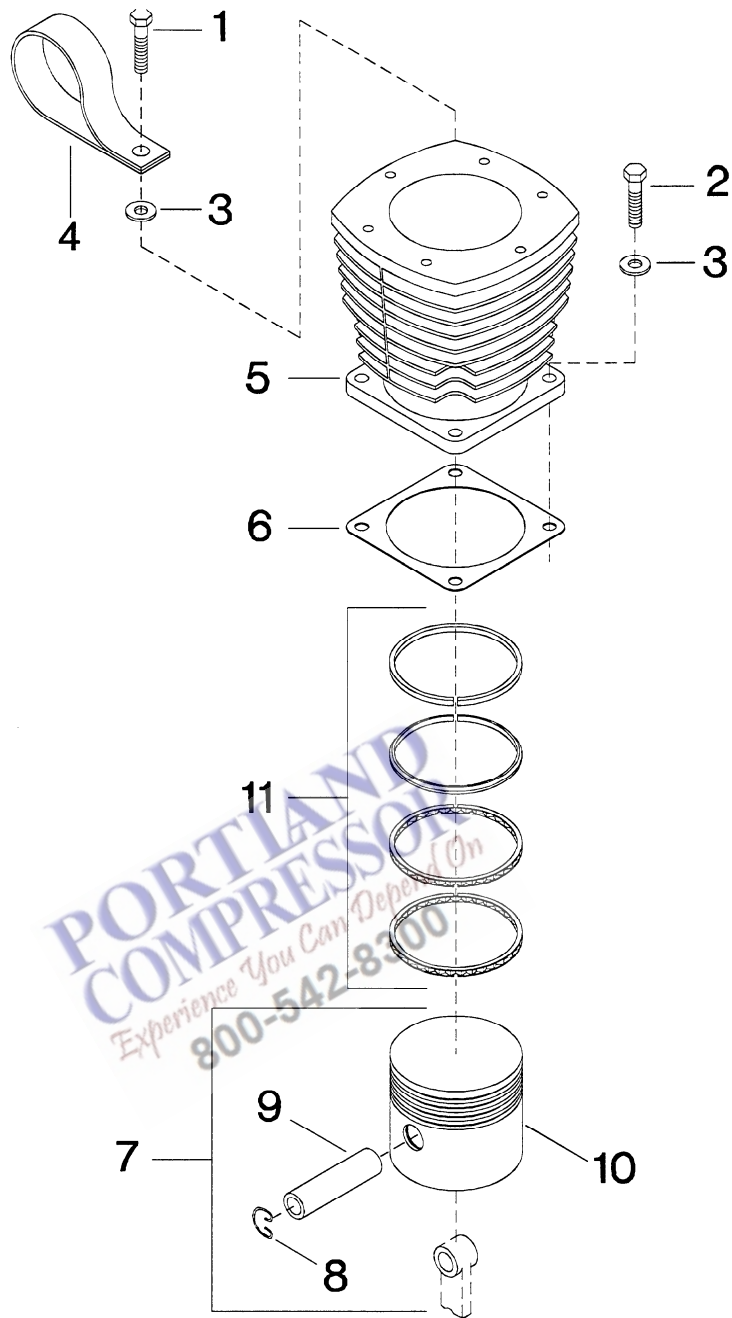
REF. NO.	PART NO.	DESCRIPTION	QTY.	SPARES		
				1	2	3
REF.	32228330	ASS'Y, FIRST STAGE VALVE PLATE (SEE 2-34)	1		1	2
4-1	97166946	• NUT, WHIZ-LOCK - 7/16-14 HEX	1	1	2	2
4-2	32223927	• BOLT, VALVE	1	1	2	2
4-3	32228314	• PLATE, STOP - DISCHARGE	1			
4-4	30221501	• SPRING, VALVE - DISCHARGE	2	2	4	4
4-5	30181499	• PLATE, VALVE - DISCHARGE	1	1	2	2
4-6	32035511	• SCREW, FILLISTER HEAD - 1/4-20 X 3/8"	9	9	9	18
4-7	32217382	• WASHER, BELLEVILLE - 1/4"	9	9	9	18
4-8	30220115	• VALVE, FINGER	9	9	9	18
4-9	32228249	• PLATE, VALVE SEAT	1			

FIGURE 5. SECOND STAGE (HIGH PRESSURE) CYLINDER & PISTON.



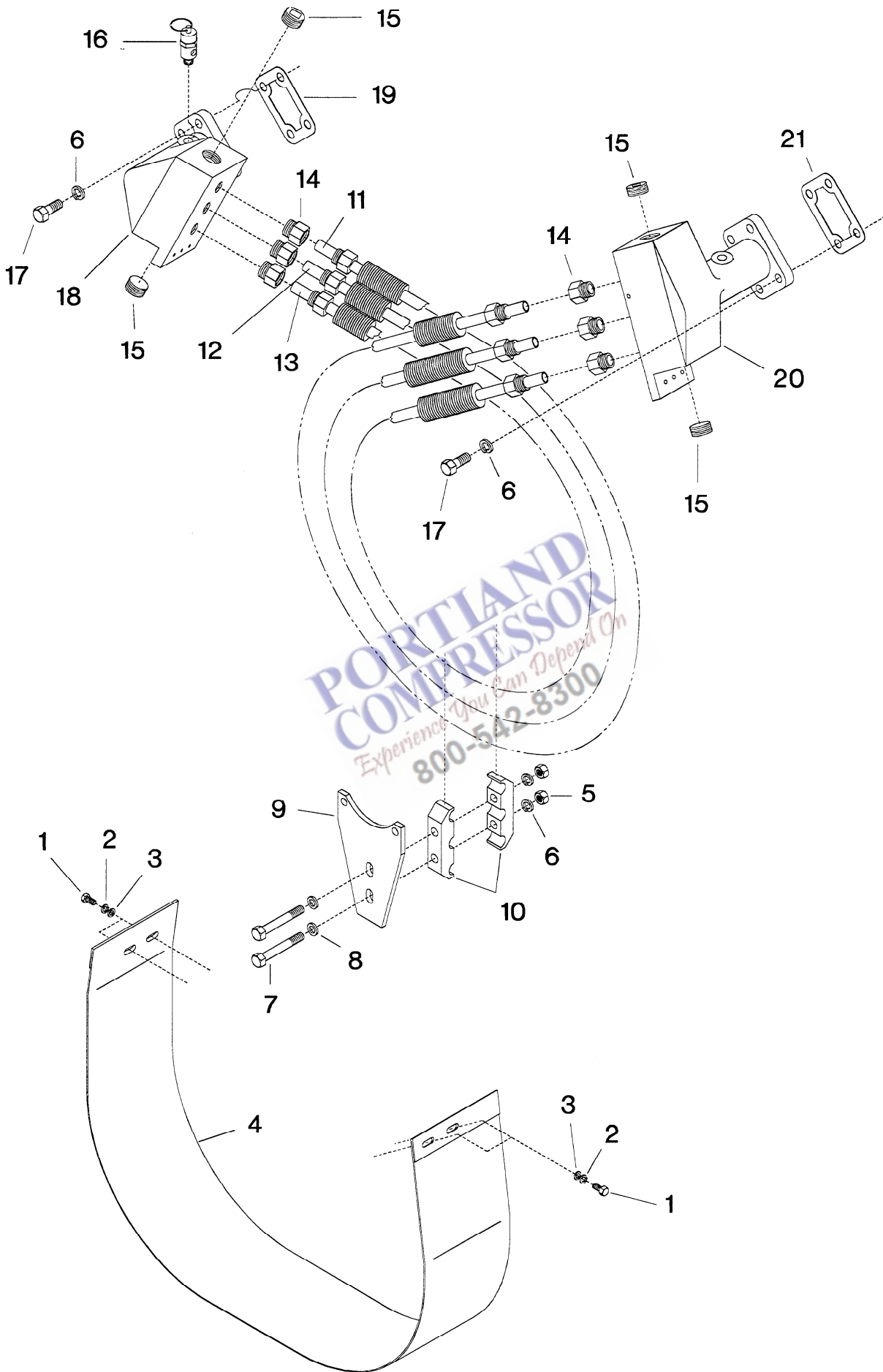
REF. NO.	PART NO.	DESCRIPTION	QTY.	SPARES		
				1	2	3
5-1	95053567	CAPSCREW, HEX HEAD - 1/2-13 X 1-1/4"	4			
5-2	95674701	GASKET, COPPER WASHER - 1/2"	4			
5-3	95252409	PLUG, PIPE - HEX HEAD - 1/4"	1			
5-4	32174997	CYLINDER, AIR - SECOND STAGE	1			
5-5	30294235	GASKET, FLANGE	1	1	1	2
5-6	32223752	PISTON, AIR - SECOND STAGE - COMPLETE	1		1	1
5-7	30288450	• RING, LOCK	2			
5-8	32220592	• PIN, PISTON	1			
5-9	NSS	• PISTON, AIR - 3 INCH	1			
5-10	32194276	SET, RING - 3 INCH	1	1	1	2

FIGURE 6. FIRST STAGE (LOW PRESSURE) CYLINDER & PISTON.



REF. NO.	PART NO.	DESCRIPTION	QTY.	SPARES		
				1	2	3
6-1	95052924	CAPSCREW, HEX HEAD - 1/2-13X1-1/2"	1			
6-2	95053567	CAPSCREW, HEX HEAD - 1/2-13X1-1/4"	3			
6-3	95674701	GASKET, COPPER WASHER - 1/2"	4			
6-4	30289748	STRAP, LIFTING	1			
6-5	32172157	CYLINDER, AIR - FIRST STAGE	1			
6-6	30294235	GASKET, FLANGE	1	1	1	2
6-7	30215222	PISTON, AIR - FIRST STAGE - COMPLETE	1		1	1
6-8	30288450	• RING, LOCK	2			
6-9	30288427	• PIN, PISTON	1			
6-10	NSS	• PISTON, AIR - 5-1/2 INCH	1			
6-11	32194144	SET, RING - 5-1/2 INCH	1	1	1	2

FIGURE 7. INTERCOOLER & SHROUD ASSEMBLY.



REF. NO.	PART NO.	DESCRIPTION	QTY.	SPARES		
				1	2	3
7-1	95053070	CAPSCREW, HEX HEAD-1/4-20X1/2" (IF PROVIDED)	4			
7-2	95043196	LOCKWASHER, SPRING - 1/4" (IF PROVIDED)	4			
7-3	95094298	WASHER, FLAT - 1/4" (IF PROVIDED)	4			
7-4	32205361	SHROUD, INTERCOOLER (IF PROVIDED)	1			
7-5	95077764	NUT, HEX - 3/8-16	2			
7-6	95081857	LOCKWASHER, SPRING - 3/8"	10			
7-7	95079646	CAPSCREW, HEX HEAD - 3/8-16X2-1/2"	2			
7-8	95069597	WASHER, FLAT - 3/8"	2			
7-9	32175010	BRACKET, INTERCOOLER	1			
7-10	32165367	CLAMP, INTERCOOLER TUBE - OUTER	2			
7-11	32196941	ASS'Y, INTERCOOLER TUBE - FINNED - #3	1		1	2
7-12	32196933	ASS'Y, INTERCOOLER TUBE - FINNED - #2	1		1	2
7-13	32196925	ASS'Y, INTERCOOLER TUBE - FINNED - #1	1		1	2
7-14	95083226	CONNECTOR, MALE - 5/8 X 1/2"	6			
7-15	95101457	PLUG, PIPE - SQUARE COUNTERSUNK - 1"	4			
7-16	72062185	VALVE, RELIEF - 80 PSIG	2			2
7-17	95079612	CAPSCREW, HEX HEAD - 3/8-16X1"	8			
7-18	32177313	MANIFOLD, INTERCOOLER - LOW PRESSURE	1			
7-19	32153801	GASKET, MANIFOLD - LOW PRESSURE	2	1	1	2
7-20	32177347	MANIFOLD, INTERCOOLER - HIGH PRESSURE	1			
7-21	32153827	GASKET, MANIFOLD - HIGH PRESSURE	1	1	1	2

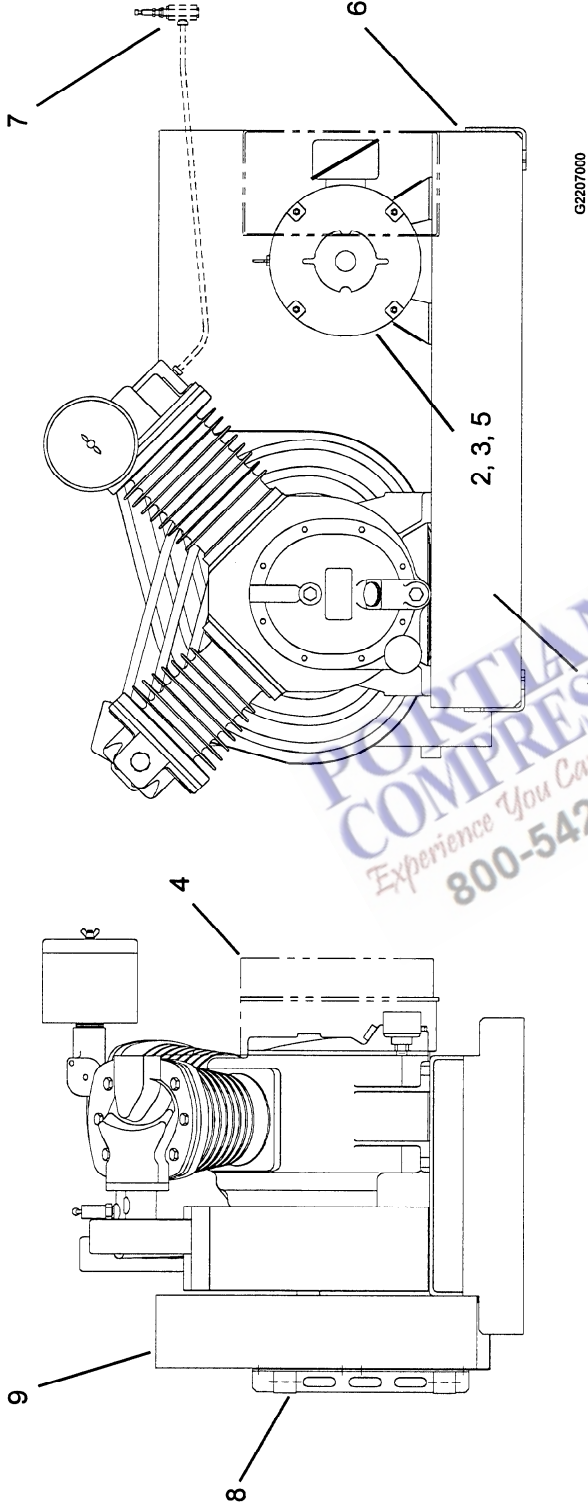
**PORTLAND  
COMPRESSOR**  
Experience You Can Depend On  
800-542-8300

**PORTLAND  
COMPRESSOR**  
*Experience You Can Depend On*  
**800-542-8300**

(This page intentionally left blank)



FIGURE 8. TYPICAL BASEPLATE MOUNTED PACKAGES.



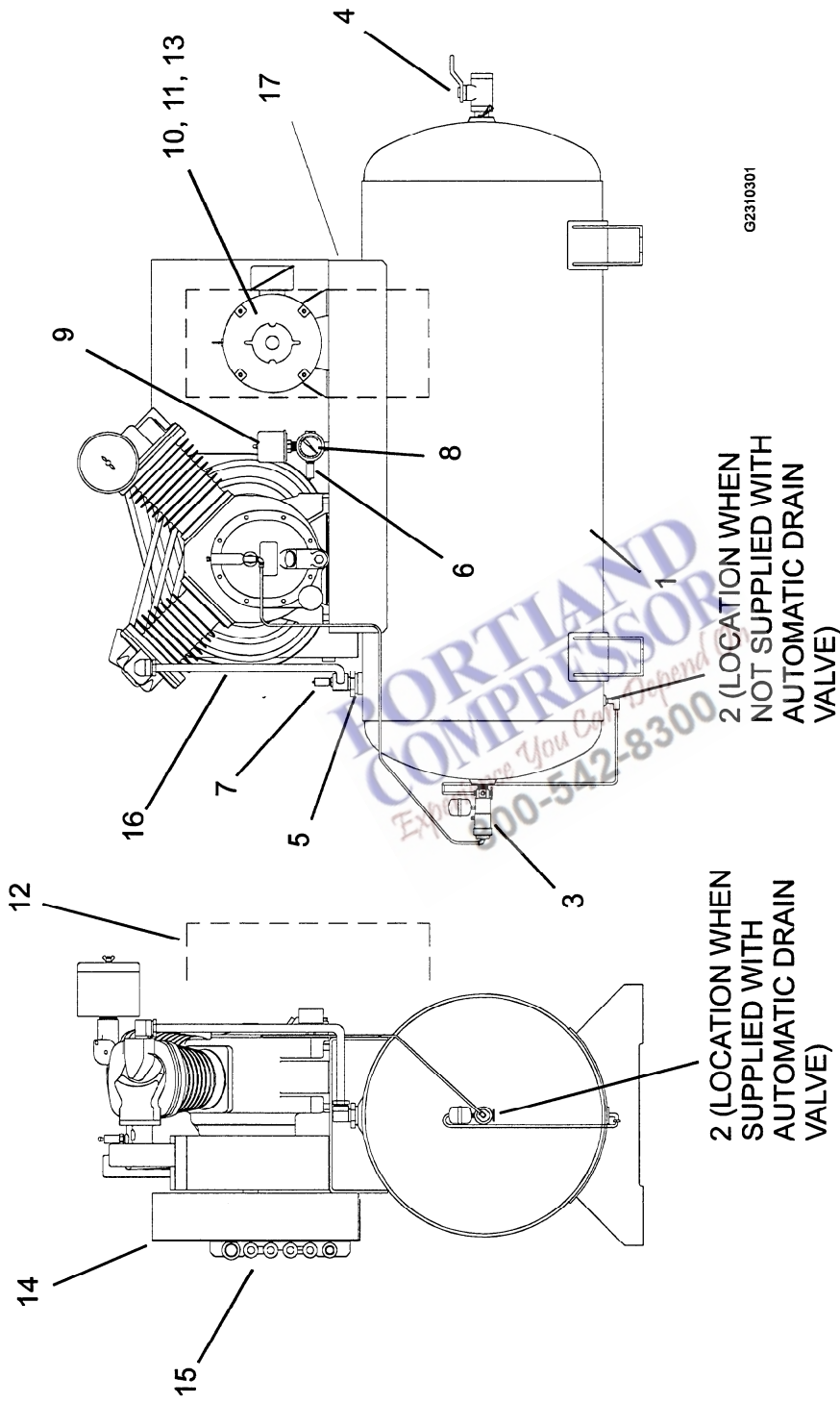
REF. NO.	PART NUMBER (QTY.)	DESCRIPTION	QTY.
	7100X10	7100X15	
8-1	32195232	ASSEMBLY, SUBBASE	1
8-2	97331193 **	MOTOR, ELECTRIC — 230/460-3-60 ODP	1
8-3	32150120 **	PULLEY, MOTOR	1
8-4	32245367 **	STARTER (IF SUPPLIED) — 230-3-60	1
8-5	95100160 **	BELT, DRIVE	2
8-6	32203408	ASSEMBLY, BELT TIGHTENER (IF PROVIDED)	1
8-7	32170797	VALVE, AUXILIARY — 175 PSIG (FOR UNITS WITH DUAL CONTROL REGULATION)	1
8-8	REF.	AFTERCOOLER, AIR COOLED (SEE FIG. 12, PG. 22) ***	1
8-9	REF.	BELTGUARD — SHEET METAL TYPE (SEE FIG. 12, PG. 22)	1
8-9	REF.	BELTGUARD — WIRE TYPE (SEE FIG. 11, PG. 21)	1

\*\* = PART NUMBER VARIES. PROVIDE MODEL NUMBER, SERIAL NUMBER AND COMPLETE MOTOR NAMEPLATE DATA WHEN ORDERING.

REF. = REFERENCE PAGE NUMBER(S) GIVEN IN DESCRIPTION COLUMN.

\*\*\* = UNITS WITH WIRE TYPE BELTGUARD ARE NOT AVAILABLE WITH MOUNTED ACAC

FIGURE 9. TYPICAL SIMPLEX RECEIVER MOUNTED PACKAGES.



REF. NO.	PART NUMBER (QTY.)		DESCRIPTION	QTY.
	7100D10	7100E15V	7100E15	
9-1	32190548	32185126	32185126 ASSEMBLY, RECEIVER	1
9-2	32027120	32027120	32027120 VALVE, MANUAL DRAIN	1
9-3	REF.	REF.	REF. VALVE, AUTOMATIC DRAIN (IF SUPPLIED. SEE FIG. 13, PG. 24)	1
9-4	32223596	3223604	32106577 VALVE, BALL — SERVICE VALVE	1
9-5	32219826	32219826	32219826 ASSEMBLY, SILENCER	1
9-6	31385693	31385693	31385693 VALVE, SAFETY/RELIEF — RECEIVER 200 PSIG	1
9-7	32174286	32174286	32174286 VALVE, SAFETY/RELIEF — DISCHARGE (325 PSIG)	1
9-8	32013872	32013872	32013872 GAUGE, PRESSURE — 300 PSIG	1
9-9	37005907	32307043	37005907 SWITCH, PRESSURE — NEMA 1 (175 PSIG)	1
9-10	97331193 **	97334221 **	32036139 ** MOTOR, ELECTRIC — 230/460-3-60 ODP	1
9-11	32150120 **	32196438 **	32196438 ** PULLEY, MOTOR	1
9-12	32245367 **	32299950 **	32190258 ** STARTER (IF SUPPLIED)	1
9-13	95100160 **	95100178 **	95369351 ** BELT, DRIVE	2
9-14	REF.	REF.	REF. BELTGUARD — SHEET METAL TYPE (SEE FIG. 12, PG. 22)	1
9-14	REF.	REF.	REF. BELTGUARD — WIRE TYPE (SEE FIG. 11, PG. 21)	1
9-15	REF.	REF.	REF. AFTERCOOLER, AIR COOLED (SEE FIG. 12, PG. 22) +++	1
9-16	32219842	32219859	32219859 ASSEMBLY, TUBE — COMPRESSOR TO RECEIVER ++++	1
9-17	32203408	32203416	32203416 ASSEMBLY, BELT TIGHTENER (IF PROVIDED)	1
NI	32170797	32170797	32170797 VALVE, AUXILIARY (FOR UNITS WITH DUAL CONTROL REGULATION) 175 PSIG	1

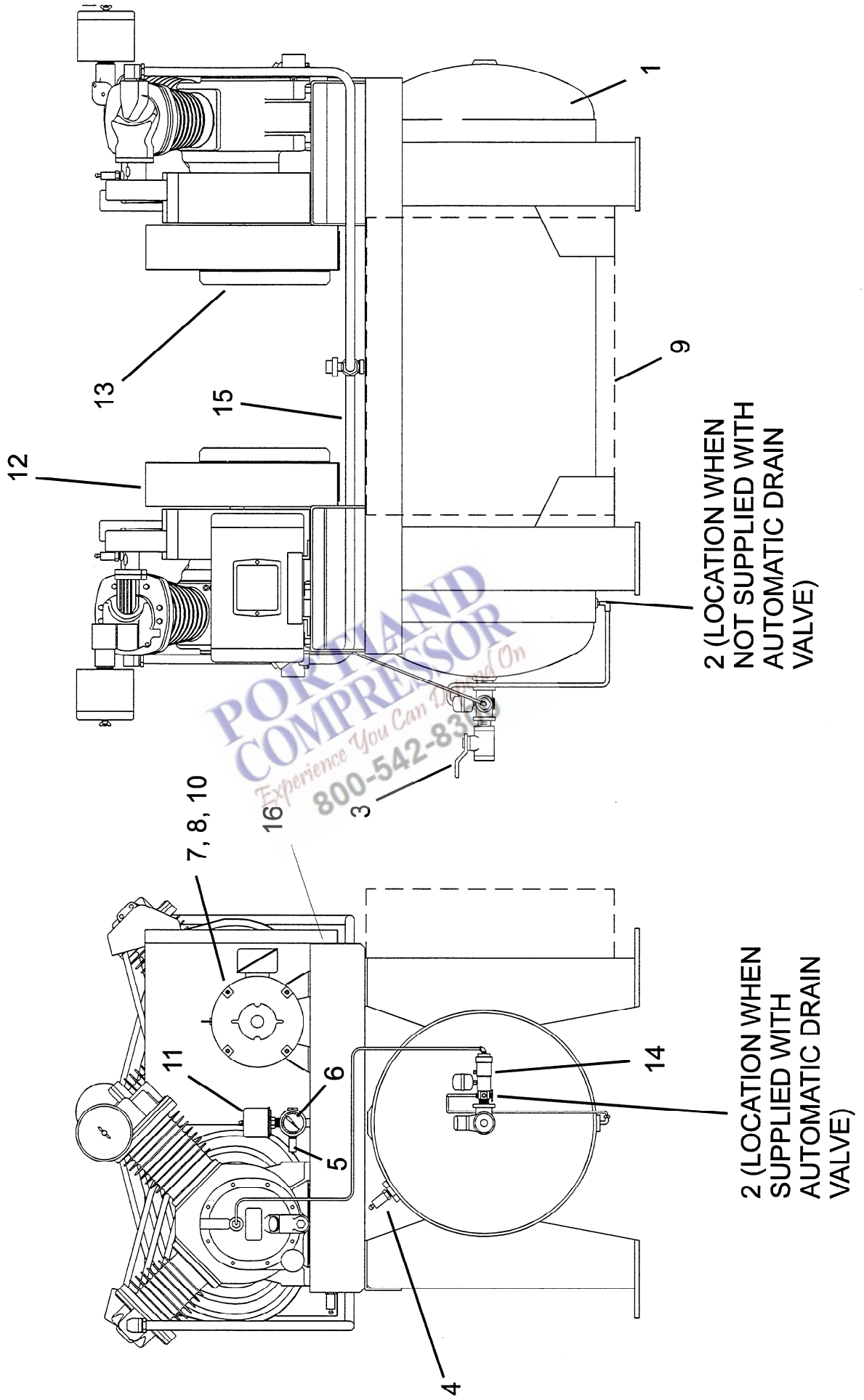
\*\* = PART NUMBER VARIES. SUPPLY MODEL NUMBER, SERIAL NUMBER AND COMPLETE MOTOR NAMEPLATE DATA WHEN ORDERING.

REF. = REFERENCE PAGE NUMBER(S) GIVEN IN DESCRIPTION COLUMN.

+++ = UNITS WITH WIRE TYPE BELTGUARD ARE NOT AVAILABLE WITH MOUNTED ACAC

++++ = FOR UNITS WITHOUT AIR COOLED AFTERCOOLER. FOR UNITS WITH AFTERCOOLER, SEE FIG. 12, PG. 20.

FIGURE 10. TYPICAL DUPLEX RECEIVER MOUNTED PACKAGES.



**PORTLAND COMPRESSOR**  
*Experience You Can Depend On*  
 800-542-8333

REF. NO.	PART NUMBER (QTY.)		DESCRIPTION	QTY.
	2-7100A10	2-7100A15	2-7100E15	
10-1	32233587	32233587	32232811 ASSEMBLY, RECEIVER	1
10-2	32027120	32027120	32027120 VALVE, MANUAL DRAIN	1
10-3	32223604	32223604	32223604 VALVE, BALL — SERVICE VALVE	1
10-4	31385693	31385693	31385693 VALVE, SAFETY/RELIEF — RECEIVER (200 PSIG)	1
10-5	32174286	32174286	32174286 VALVE, SAFETY/RELIEF — DISCHARGE (325 PSIG)	2
10-6	32013872	32013872	32013872 GAUGE, PRESSURE — 300 PSIG	1
10-7	97331193 **	32036139 **	32036139 ** MOTOR, ELECTRIC — 230/460-3-60 ODP	2
10-8	32150120 **	32196438 **	32196438 ** PULLEY, MOTOR	2
10-9	32237141 **	32237158 **	32237158 ** ALTERNATOR (IF SUPPLIED) — 230-3-60 NON-COMBINATION	2
10-10	95100160 **	95369351 **	95369351 ** BELT, DRIVE	4
10-11	37005907	37005907	37005907 SWITCH, PRESSURE — NEMA 1, 175 PSIG	1
10-12	REF.	REF.	REF. BELTGUARD, SHEET METAL TYPE (SEE FIG. 12, PG. 22)	2
10-12	REF.	REF.	REF. BELTGUARD, WIRE TYPE (SEE FIG. 11, PG. 21)	2
10-13	REF.	REF.	REF. AFTERCOOLER, AIR COOLED (SEE FIG. 12, PG. 22) +++	2
10-14	REF.	REF.	REF. VALVE, AUTOMATIC DRAIN (IF SUPPLIED)(SEE FIG. 13, PG. 24)	1
10-15	32194128	32232886	32232886 ASSEMBLY, TUBE — COMPRESSOR TO RECEIVER (FOR UNITS WITHOUT AFTERCOOLER)	2
10-16	32203408	32203416	32203416 ASSEMBLY, BELT TIGHTENER (IF PROVIDED)	2
NI	32170797	32170797	32170797 VALVE, AUXILIARY — 175 PSI DUAL CONTROL	2

\*\* = PART NUMBER VARIES. SUPPLY COMPRESSOR MODEL NUMBER, SERIAL NUMBER AND COMPLETE MOTOR NAMEPLATE DATA WHEN ORDERING.

REF. = REFERENCE PAGE NUMBER(S) GIVEN IN DESCRIPTION COLUMN.

+++ = AIR COOLED AFTERCOOLER CANNOT BE MOUNTED ON UNIT EQUIPPED WITH WIRE BELTGUARD.

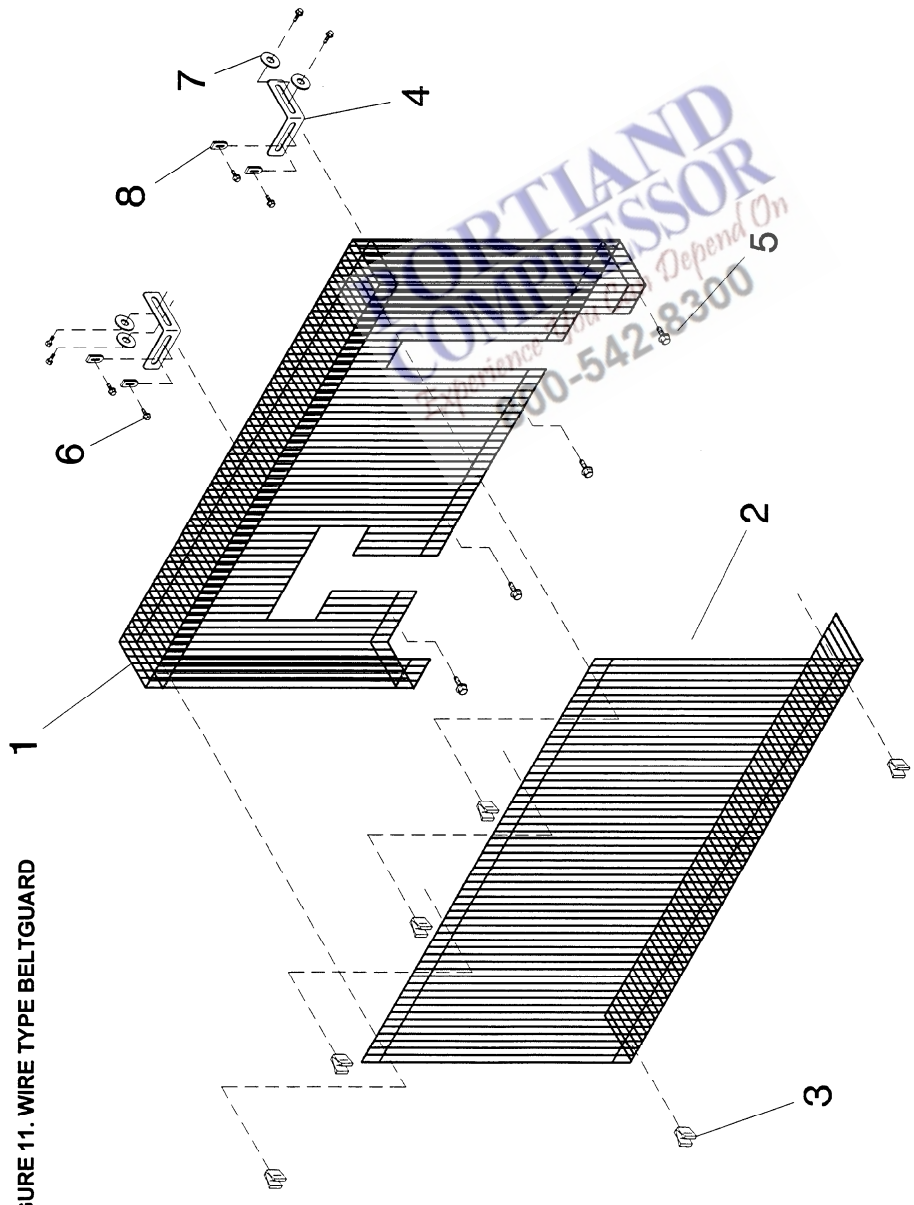
(This page intentionally left blank)

**PORTLAND  
COMPRESSOR**  
*Experience You Can Depend On*  
**800-542-8300**



21

FIGURE 11. WIRE TYPE BELTGUARD



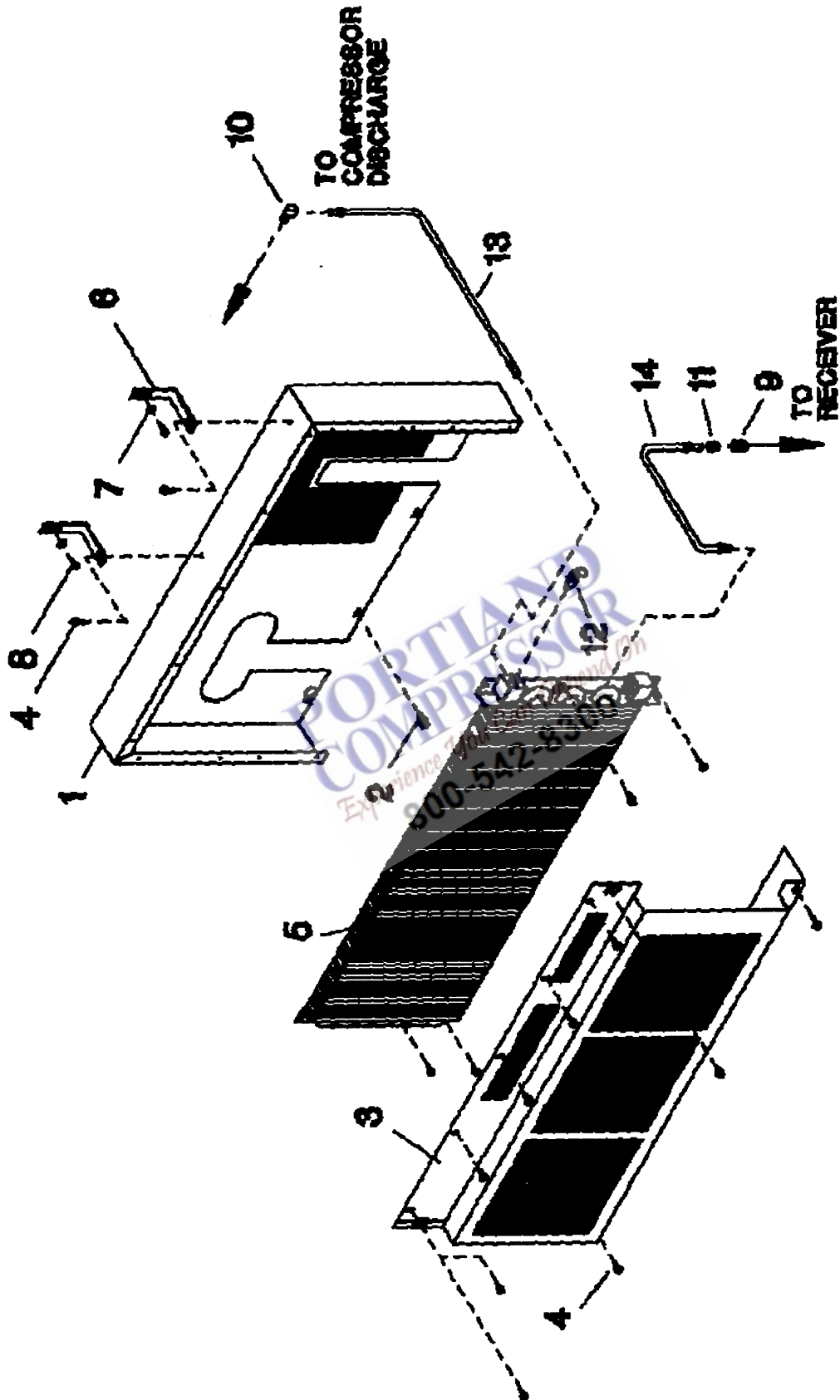
**WIRE BELTGUARD REPLACEMENT KITS**

Kits include beltguard front and back, plus plastic clips.

PART NUMBER	MODEL
97335798	7100E15V

REF. NO.	PART NUMBER (QTY.)	DESCRIPTION	QTY.
11-1	97335194	BACK, BELTGUARD — WIRE TYPE BELTGUARD	1
11-2	97335202	COVER, BELTGUARD — WIRE TYPE BELTGUARD	1
11-3	32496093	CLIP, PLASTIC — WIRE TYPE BELTGUARD	6
11-4	32188518	BRACE, BELTGUARD — WIRE TYPE BELTGUARD	2
11-5	32000705	SCREW, SELF-TAPPING — 3/8-16 X 3/4"	4
11-6	32175564	CAPSCREW, SERRATED WASHER HEAD — 1/4-20 X 3/4"	8
11-7	97007447	WASHER, FLAT — 1/4"	4
11-8	32241200	FASTENER, "U" TYPE	4

FIGURE 12. SHEET METAL TYPE BELTGUARD & AIR COOLED AFTERCOOLER



PORTLAND COMPRESSOR  
Experience the difference  
800-542-8310

REF. NO.	PART NUMBER (QTY.)		DESCRIPTION
	7100X10 7100X15	7100D10 7100E10 7100E15	7100A10 7100A15
2-1	32184319 (1)	32184319 (1)	32184319 (2)
2-2	32000705 (4)	32000705 (4)	32000705 (8)
2-3	32184327 (1)	32184327 (1)	32184327 (2)
2-3	32244808 (1)	32244808 (1)	32244808 (2)
2-4	32187056 (14)	32187056 (14)	32187056 (28)
2-4	32187056 (18)	32187056 (18)	32187056 (34)
2-5	32498057 (1)	32498057 (1)	32498057 (2)
2-6	32188518 (2)	32188518 (2)	32188518 (4)
2-7	97007447 (2)	97007447 (2)	97007447 (4)
2-8	32175572 (2)	32175564 (2)	32175572 (4)
2-9	32219826 (1)	32219826 (1)	30218382 (1)
2-9	32061376 (1)	32061376 (1)	37002185 (1)
2-10	95031761 (1)	95031761 (1)	95031761 (2)
2-11	95083275 (1)	95083275 (1)	—
2-12	32174286 (1)	32174286 (1)	32174286 (2)
2-13	32296188 (1)	32296188 (1)	32296188 (2)
2-14	32496705 (1)	32495939 (1)	32498115 (1)
NI	95229183 (1)	95229183 (1)	95229183 (2)
NI	97173595 (2)	97173595 (2)	97173595 (4)
NI	—	—	32145096 (1)
NI	32186421 (1)	95245320 (1)	32186421 (1)
NI	—	—	—
NI	—	—	32178980 (2)
NI	—	—	95037826 (2)

**AIR COOLED AFTERCOOLER ADDITION KITS**  
 Air cooled aftercooler addition kits allow for the addition of an air cooled aftercooler to your unit. Kits include front and back cover, aftercooler coil, safety/relief valve, silencer, tubing and mounting hardware.

PART NUMBER	MODEL
97335814	7100E15V

ACAC = AIR COOLED AFTERCOOLER  
 + = USED ONLY ON UNITS NOT EQUIPPED WITH ACAC.  
 ++ = USED ONLY ON UNITS EQUIPPED WITH ACAC  
 +++ = UNITS WITH WIRE TYPE BELTGUARD ARE NOT AVAILABLE WITH MOUNTED ACAC

ITEMS 13 & 14 USED IN LIEU OF STANDARD COMPRESSOR TO RECEIVER TUBE ASSEMBLY ON UNITS EQUIPPED WITH ACAC.

The automatic drain valve removes condensed water and oil from compressed air systems without restricting air flow, creating pressure drops or opening the system to the atmosphere. Its unique design maintains systems pressure and volume during operation, and increases productivity.

REF. NO.	PART NUMBER	DESCRIPTION
REF.	32310690	VALVE, AUTOMATIC DRAIN
13-1	32310971	KIT, WATER CAP ASSEMBLY
13-2	32310989	KIT, BODY/PISTON ASSEMBLY
13-3	32310997	KIT, ONE WAY VALVE
13-4	32496317	RESERVOIR, STANDARD CAPACITY
13-4	32496309	RESERVOIR, HIGH CAPACITY
13-5	32311060	ELBOW, TUBE — 1/4"

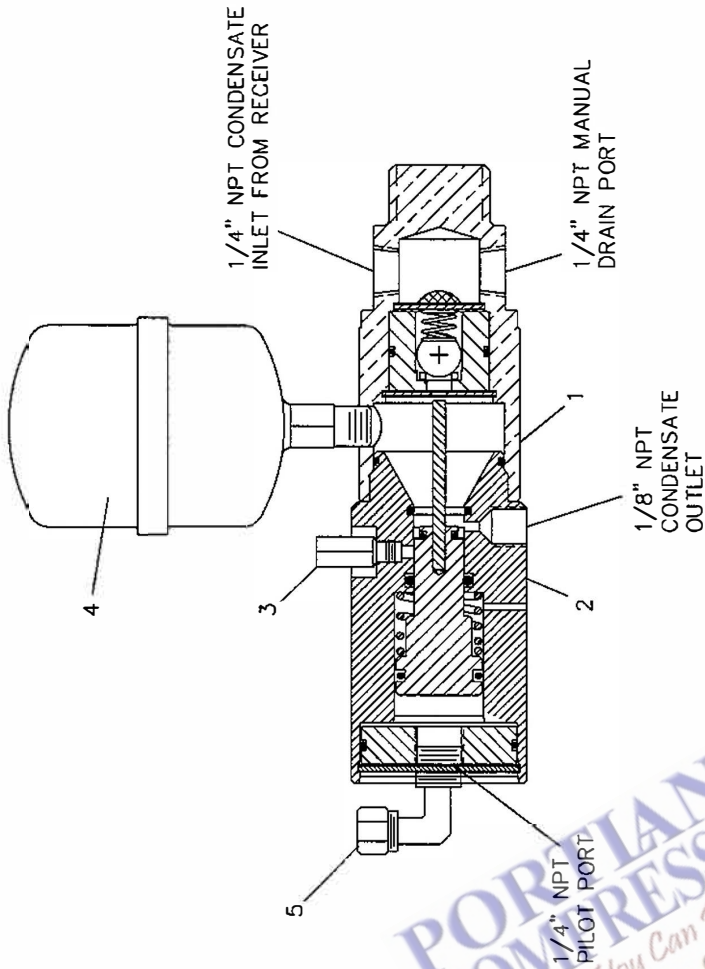
\* The high capacity reservoir gives the automatic drain valve twice as much condensate storage capacity during the pumping cycle. This larger reservoir is available as an upgrade. A larger reservoir is recommended for use on heavily-loaded simplex compressors with long pumping cycles and/or operating in extremely humid environments. If the pumping cycle exceeds one hour, then an electric timer kit should be used.

**AUTOMATIC DRAIN VALVE TIMER KITS**

An automatic drain valve timer kit resolves application problems in which an existing automatic drain valve cycles too infrequently. A timer generates the pneumatic signals for actuating the automatic drain valve. With a timer, the automatic drain valve operates independently of the compressor unload cycles.

PART NUMBER	DESCRIPTION
47743031001	KIT, ELECTRIC DRAIN - 80 GAL VERTICAL TANK
47743032001	KIT, ELECTRIC DRAIN - 120 GAL VERTICAL TANK
47743033001	KIT, ELECTRIC DRAIN - HORIZONTAL TANKS

**FIGURE 13. AUTOMATIC DRAIN VALVE REPLACEMENT PARTS.**



PORTLAND  
 COMPRESSOR  
*Experience You Can Depend On*  
 800-542-8300

**MAINTENANCE PAKS**

Maintenance paks contain all the parts necessary for one complete routine maintenance service of your compressor. All-Season T30 Select lubricant, air filter elements, gaskets, drive belts, and instructions are standard with all maintenance paks.

PART NUMBER	MODEL
38485140	7100E10
38485124	7100E15

**SHAFT REPAIR KITS**

Shaft repair kits are intended for the repair of crankshafts with grooved journals. Each kit contains a shaft seal, shaft sleeve and shaft end cover gasket.

PART NUMBER	DESCRIPTION
32498792	KIT, SHAFT REPAIR — 7100

**COMPRESSOR LUBRICANT**

All Season T30 Select® is an all-temperature diester synthetic lubricant that is formulated for exceptional lubrication at low, normal and high operating temperatures.

PART NUMBER	DESCRIPTION
32318875	LUBRICANT, ALL SEASON T30 SELECT - QUART
32318883	LUBRICANT, ALL SEASON T30 SELECT - CASE OF 12 QUARTS

**STEP SAVER KITS**

Step Saver Kits provide all of the parts required to perform common repair or scheduled maintenance tasks, such as piston ring replacement or valve replacement.

PART NUMBER	DESCRIPTION	CONTENTS
32229882	KIT, VALVE/GASKET	Valve wearing parts and head gaskets that are destroyed in replacing valve parts.
32194029	KIT, RING/GASKET	Complete set of piston rings, a crankshaft seal, and gaskets that are destroyed in breaking the unit down to replace the rings.
32127474	KIT, BEARING/CONNECTING ROD SET, GASKET	Set of connecting rods, main bearings, and a crankpin bushing. a gasket set is recommended with this kit.
32229908	SET, GASKET	Complete set of gaskets that are destroyed in breaking the unit down for service. recommended with bearing/connecting rod kit or as spare gaskets.
32319485	KIT, OVERHAUL	All of the above for complete overhaul service.

**VIBRATION ISOLATOR PADS**

Vibration isolator pads are designed to absorb 40%-60% of the sound and vibration of your compressor.

PART NUMBER	DESCRIPTION
32320681	PAD, VIBRATION ISOLATOR - 4" X 4" SP-NR
32320699	PAD, VIBRATION ISOLATOR - 5" X 5" SP-NR
32321002	PAD, VIBRATION ISOLATOR - 4" X 4" NRC
32321028	PAD, VIBRATION ISOLATOR - 5" X 5" NRC
32321010	PAD, VIBRATION ISOLATOR - 6" X 6" NRC

SP-NR: Steel plate bonded between a NR pad and a non-skid oil-resistant ribbed neoprene top pad.

NRC: Two ribbed neoprene pads bonded to 1/2" cork pad.

**CRANKCASE HEATER KITS**

Crankcase heaters are recommended when ambient temperatures are consistently below 32°F (0°C). An easy-to-install external crankcase heater kit is intended for aftermarket use. Two kits may be required for some applications.

PART NUMBER	DESCRIPTION
97330385	KIT, CRANKCASE HEATER

**CONSTANT SPEED CONTROL (CSC) KITS**

Constant speed control kits allow you to convert Model 7100E15V from automatic start & stop control operation to constant speed control operation. Each kit includes an auxiliary valve, unloader piston assembly and all the necessary tubing and fittings.

PART NUMBER	DESCRIPTION
97335905	KIT, CONSTANT SPEED CONTROL

**START-UP KITS**

Each start-up kit contains the necessary quantities of All Season T30 Select lubricant and air filter element(s) to start-up and maintain your compressor for the first year. Start-Up kits for gasoline engine driven models also include a replacement engine air filter, engine oil filter, and engine lubricant. See the engine manufacturer's instructions for more detailed engine care information.

PART NUMBER	DESCRIPTION
32305898	KIT, START-UP — 7100





**PORTLAND  
COMPRESSOR**  
*Experience You Can Depend On*  
**800-542-8300**





**PORTLAND  
COMPRESSOR**  
*Experience You Can Depend On*  
**800-542-8300**

# LOOK WHAT INGERSOLL-RAND CAN DO FOR YOU!



## Efficient Field Service

We maintain a highly trained staff of technicians to service your equipment for preventive maintenance, or to assist you should emergencies ever occur.



## Complete Repair Service

Our trained technicians will repair or overhaul your equipment to factory specifications, using only genuine I-R parts.



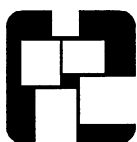
## Special Engineering Service

We can help you identify and solve your problems by evaluating your needs and recommending the proper equipment to give you maximum efficiency.



## Spare Parts

By stocking genuine I-R spare parts, we can help you avoid costly delays or substituting inferior parts. Using genuine I-R parts on your I-R equipment will help to keep even older equipment running in good-as-new condition.



## Complete Stock of Equipment

We carry a complete line of I-R equipment and accessories designed to meet any compressed air application. We are backed by I-R's prompt factory shipment to ensure you on-time delivery.

## A SUBSTITUTE IS NOT A REPLACEMENT!

Ensure you get peak performance and longevity out of your Ingersoll-Rand product by insisting on genuine Ingersoll-Rand replacement parts and maintenance kits. Not only are the replacement parts made to precise dimensions and OEM-specified metallurgy, but each part is backed by the Ingersoll-Rand warranty. Your local Air Center, Distributor, or direct Ingersoll-Rand salesperson will work with you to ensure you get the parts you need to do the job right. Equip your machines with only the best — Ingersoll-Rand genuine parts.

**NOTE: THE USE OF REPAIR PARTS OTHER THAN THOSE INCLUDED WITHIN THE INGERSOLL-RAND COMPANY APPROVED PARTS LIST MAY CREATE UNSAFE CONDITIONS OR MECHANICAL FAILURES OVER WHICH INGERSOLL-RAND COMPANY HAS NO CONTROL. INGERSOLL-RAND COMPANY SHALL BEAR NO RESPONSIBILITY FOR EQUIPMENT ON WHICH NON-APPROVED REPAIR PARTS ARE INSTALLED.**

The manufacturer reserves the right to make changes or add improvements without notice and without incurring any obligation to make such changes to products previously sold.