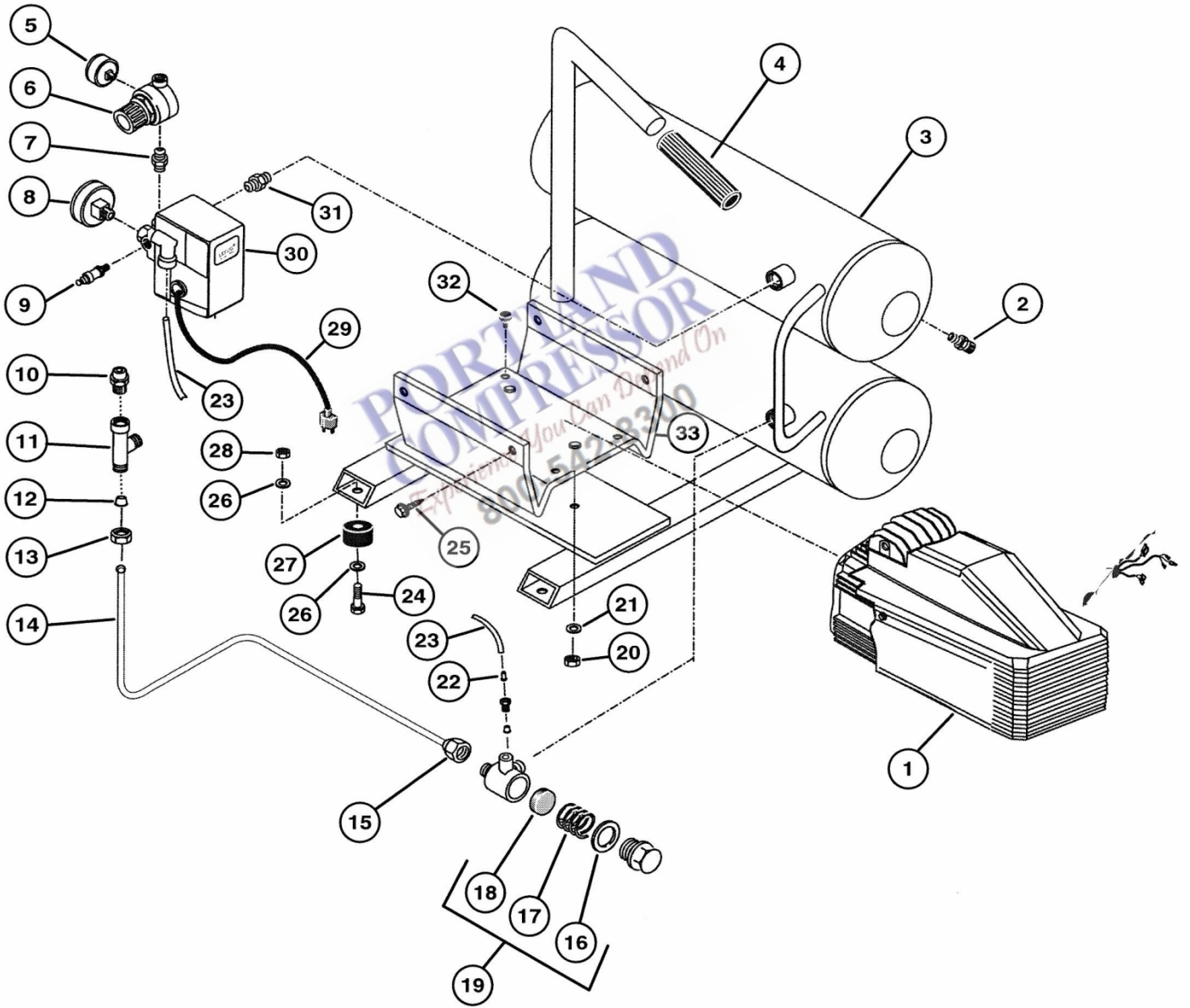
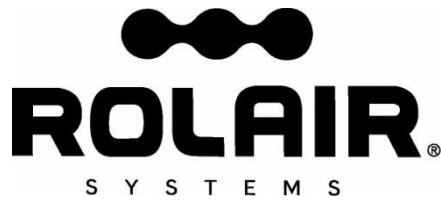


ROLAIR
SCHEMATIC FOR
FC2002






PARTS LIST FOR FC2002

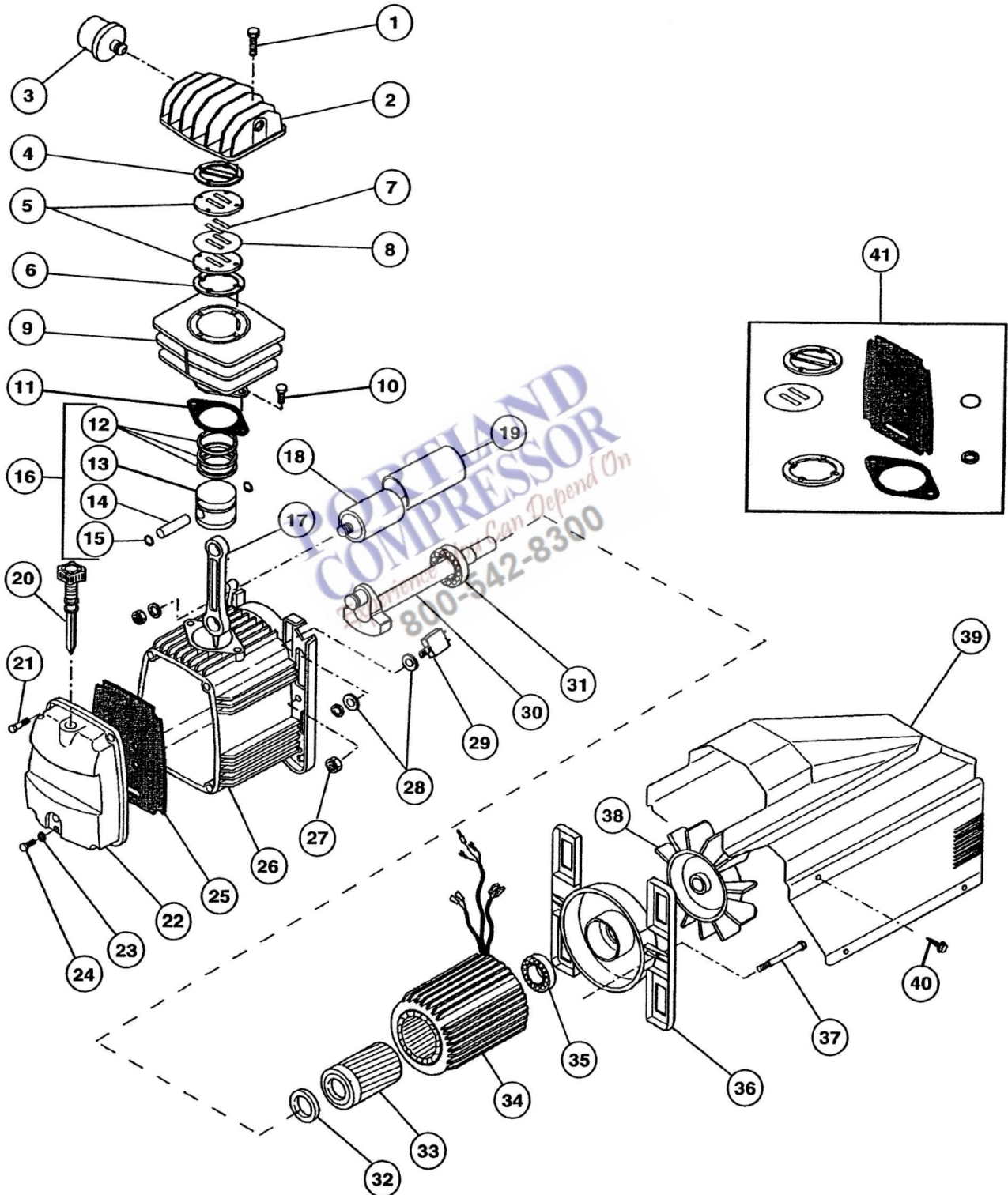
Schematic #	Description	Part #	Qty.
1	2 HP Pump/Motor	PMP11MK246FC	1
2	Drain Valve (ball-valve style starting 8/13)	FC9047062	2
3	Tank Assembly	FC162QC0010	1
4	Handle Grip	FC127GH0012	1
5	Gauge – Line	U3001	1
6	Regulator	FC319205000	1
7	Nipple	FC011017000	1
8	Gauge – Tank	FC330063001	1
9	Safety Relief Valve	U6004	1
10	Bleeder Valve	FC011158000	1
11	Discharge Tee	FC199617000	1
12	Ring	FC011117000	1
13	Lock Nut	FC011117002	1
14	Discharge Tube (includes FC011117000 & FC011117002)	FC2002-DISCH TB	1
15	Lock Nut	FC199437000	1
16	O-Ring	FC010024000	1
17	Spring	047113002F	1
18	Disc*	NLA	1
19	Check Valve	FC347043000	1
20	Nut	FC014003002	3
21	Washer	FC014008008	3
22	Brass Sleeve	FC011304000	1
23	Nylon Tubing – 9"	FC046001000	.75
	Ring	011077000F	1
24	Bolt	FC014001041	4
25	Screw	FC014013042	4
26	Washer	FC014005002	8
27	Rubber Foot	FC020004001	4
28	Nut	FC014003001	4
29	Cord with Plug	FC164A08300	1
30	Pressure Switch	U6005	1
31	Nipple	U5003	1
32	Vibration Dampener	FC199575000	4
33	Mounting Plate	FC127GH0010V75	1

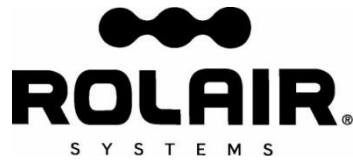
* No longer available, must order complete check valve.





ROLAIR®
 SCHEMATIC FOR
 PMP11MK246FC





PARTS LIST FOR PMP11MK246FC

Schematic #	Description	Part #	Qty.
1	Bolt	FC014002021	4
2	Head	FC116022002	1
3	Intake Filter Assy. (Mdl's FC2002, FC2002HBP6) (Mdl's D2002HPV5, D2002HSSV5)	FC317007000 317013000F	1 1
4	Gasket	U1100	1
5	Valve Plate	U1103	2
6	Gasket	U1102	1
7	Valve	U1104	2
8	Gasket	U1101	1
9	Cylinder	FC116093009	1
10	Bolt	FC014011064	2
11	Gasket	FC116091016	1
12	Ring Set*	NLA	1
13	Piston*	NLA	1
14	Piston Pin	U1115	1
15	Snap Ring	U1116	2
16	Piston Assembly (Includes Ref#12, 13, 14, 15)	U1105	1
17	Connecting Rod	U1106	1
18	Capacitor	U1107	1
19	Capacitor Cover	FC116034013	1
20	Dipstick	U1110	1
21	Screw	FC014013021	4
22	Crankcase Cover	FC116091002	1
23	O-Ring	FC010072000	1
24	Drain Plug	FC014013024	1
25	Diaphragm	FC116091011	1
26	Motor Housing	FC116091001	1
27	Nut	FC014003002	2
28	Washer	FC014005009	2
29	Manual Reset Button	FC008331000	1
30	Crankshaft	FC116022011	1
31	Bearing	U1114	1
32	Seal	FC010029000	1
33	Rotor	FC116092003	1
34	Stator	FC416QC4652	1
35	Bearing	U1113	1
36	End Bell	U1108	1
37	Bolt	FC116011038	2
38	Fan	U1109	1
39	Shroud	U1112	1
40	Screw	FC014006121	2
41	Gasket Set	FC216093003	1
	Valve Kit (Includes Ref#4, 6, 7, 8)	VKMK246	1

* No longer available individually, must order complete Piston Assembly (Ref#16, Part#U1105).



606 South Lake Street > P.O. Box 346 > Hustisford, WI 53034-0346 > 920.349.3281 > fax 920.349.8861 > www.rolair.com