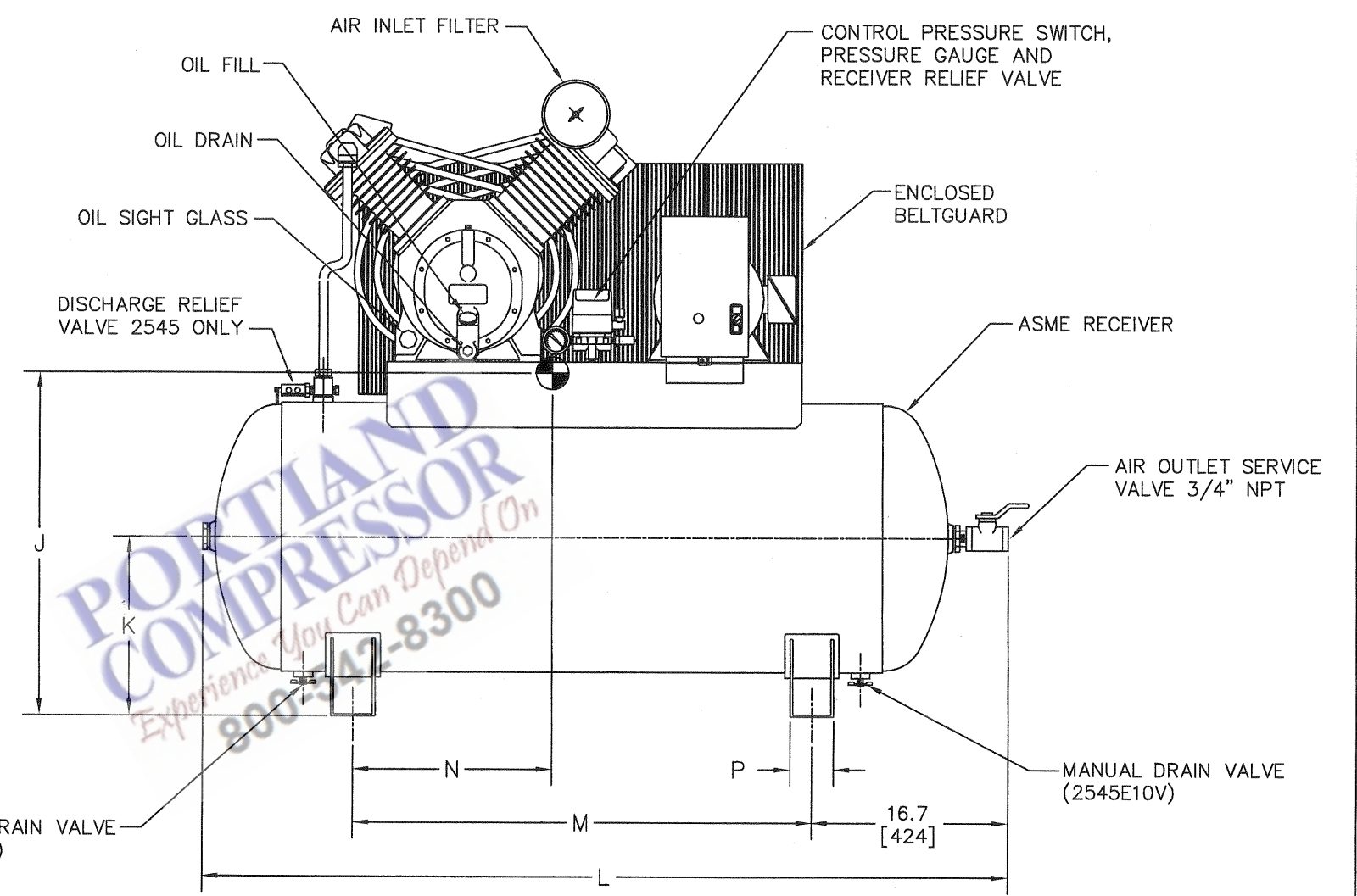
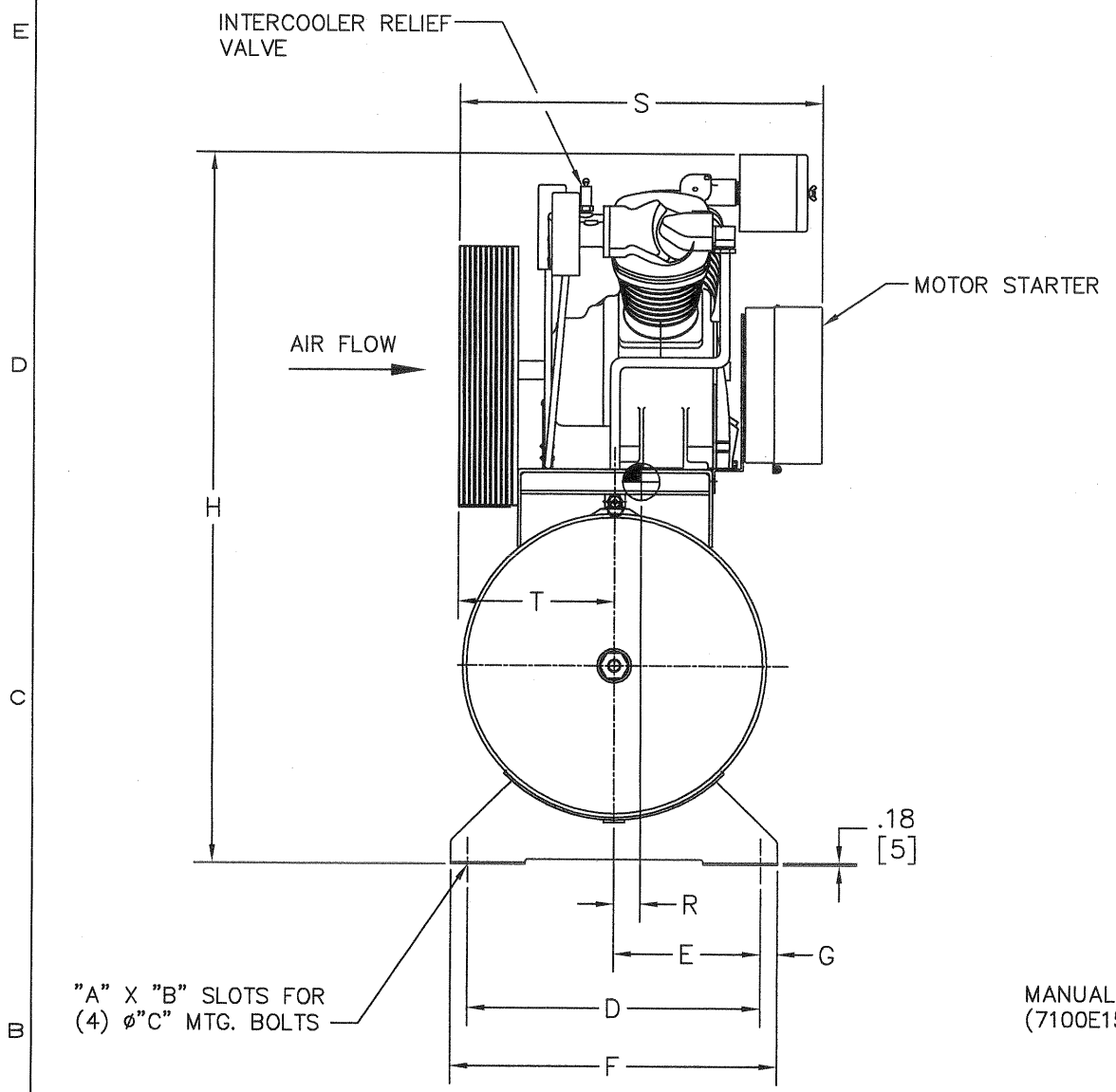


REVISIONS					
ZONE/REV	ECN	DESCRIPTION	DATE	DWN	APV
A	09R00359	INITIAL RELEASE	2009AUG03	G.LEVI	J.BALLARD



PORTLAND COMPRESSOR
 Experience You Can Depend On
 800-442-8300

- NOTES:
- FOUNDATION OR FLOOR MUST BE LEVEL AND SUPPORT ALL FEET EQUALLY; IF NECESSARY SHIM OR GROUT THE FOURTH FOOT.
 - FOUNDATION BOLTS SHOULD PROJECT THRU NUTS AT LEAST 1/2" [13] TO ALLOW FOR LEVELING.
 - ALLOW AT LEAST 12.00 [305] CLEARANCE MIN. ON ALL SIDES FOR PROPER AIR CIRCULATION.
 - DIMENSIONS IN [] ARE MILLIMETER DIMENSIONS UNLESS OTHERWISE SPECIFIED.
 - ALL UNSPECIFIED TOLERANCES: XX = ±.25 [6]
X = ±.50 [13]
 - THE COMPRESSOR ARRANGEMENT SHOWN IS REPRESENTATIVE OF ALL THE UNITS LISTED.

MODEL	NET WT. LBS [WT. KG]	RECEIVER			A	B	C	D	E	F	G	H	J	K	L	M	N	P	R	S	T
		SIZE IN. [SIZE mm]	GAL. [LITER]																		
2545E10V	900 [408]	24" X 67" [610 X 1702]	120 [454]	.69 [17]	1.75 [44]	1/2"	20.19 [513]	10.09 [256]	23.6 [599]	1.7 [43]	49.9 [1267]	24.1 [611]	14.5 [368]	70.8 [1798]	42.00 [1067]	18.1 [460]	3.5 [89]	3 [7]	27.2 [691]	11.3 [287]	
7100E15V	1035 [469]	24" X 67" [610 X 1702]	120 [454]	.75 [19]	1.50 [38]	1/2"	23.75 [603]	11.87 [302]	26.5 [673]	1.4 [36]	57.1 [1450]	29.7 [754]	15.6 [396]	71.7 [1821]	42.00 [1067]	17.5 [444]	4.0 [102]	1.82 [46]	29.5 [749]	12.8 [325]	

PROPRIETARY NOTICE

THIS DOCUMENT CONTAINS CONFIDENTIAL AND TRADE SECRET INFORMATION, IS THE PROPERTY OF INGERSOLL-RAND COMPANY, AND IS GIVEN TO THE RECEIVER IN CONFIDENCE. THE RECEIVER BY RECEPTION AND RETENTION OF THE DOCUMENT ACCEPTS THE DOCUMENT IN CONFIDENCE AND AGREES THAT, EXCEPT AS AUTHORIZED IN WRITING BY INGERSOLL-RAND COMPANY, IT WILL (1) NOT USE THE DOCUMENT OR ANY COPY THEREOF OR THE CONFIDENTIAL OR TRADE SECRET INFORMATION THEREIN; (2) NOT COPY THE DOCUMENT; (3) NOT DISCLOSE TO OTHERS EITHER THE DOCUMENT OR THE CONFIDENTIAL OR TRADE SECRET INFORMATION THEREIN; AND (4) UPON COMPLETION OF THE NEED TO RETAIN THE DOCUMENT, OR UPON DEMAND, RETURN THE DOCUMENT, ALL COPIES THEREOF, AND ALL MATERIAL COPIED THEREFROM.

Copyright © 1992
Ingersoll-Rand Company
All Rights Reserved

WARNING: The export or reexport of this drawing or a product produced by this drawing is subject to U.S. Export Administration Regulations and other applicable governmental restrictions or regulations.

THIRD ANGLE PROJECTION

SCALE: NONE

DRAWN: G.Levi
CHECKED: D.Adams
APPROVED: J.Ballard

DATE: 2009AUG03

DATE: 2009AUG03

DATE: 2009AUG03

REF. VALUE PACKAGES

TITLE: GENERAL ARRANGEMENT
2545E10V & 7100E15V

SIZE: A1

DWG NO.: 45469848

REV: A

SHEET 1 OF 1