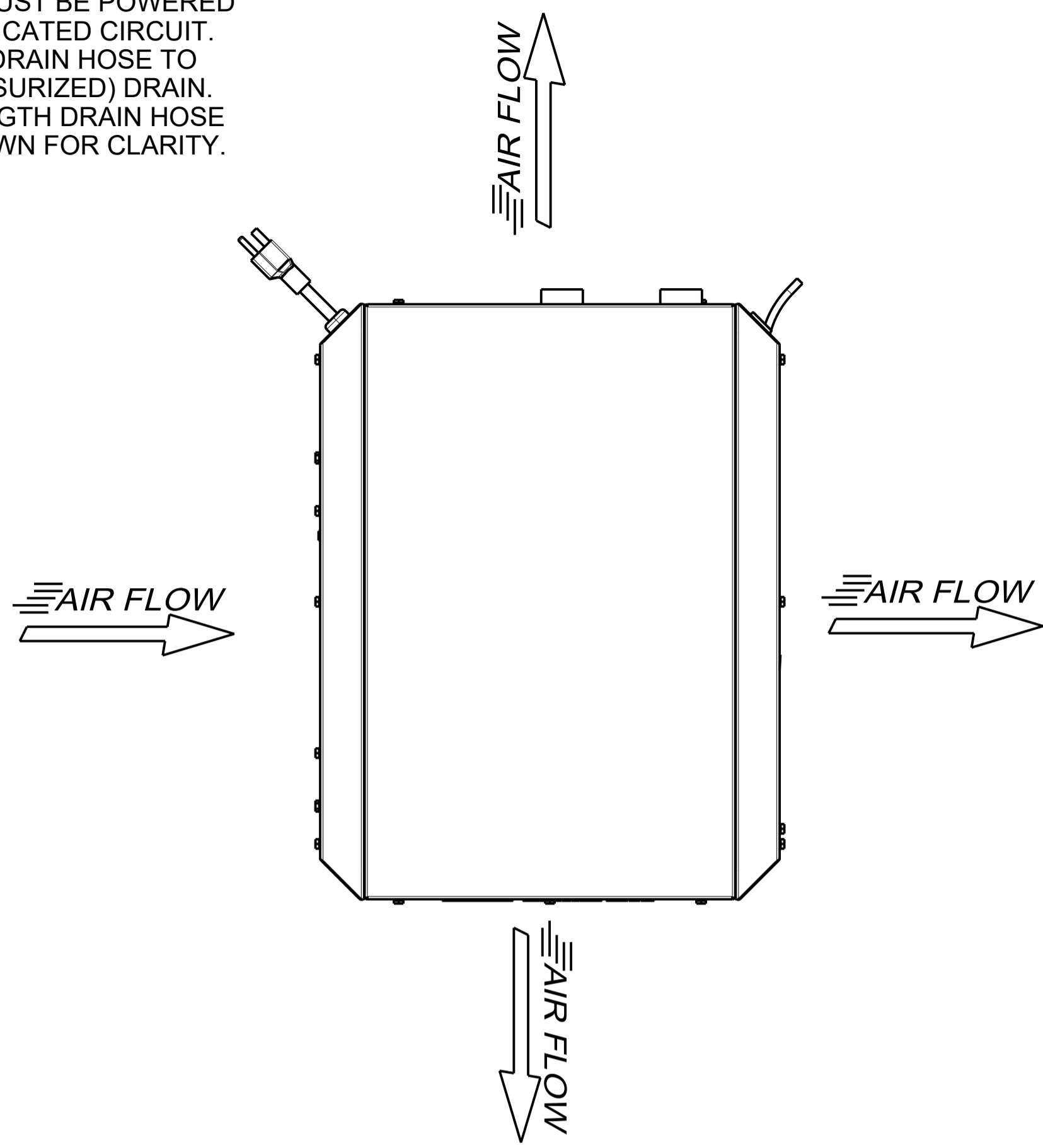
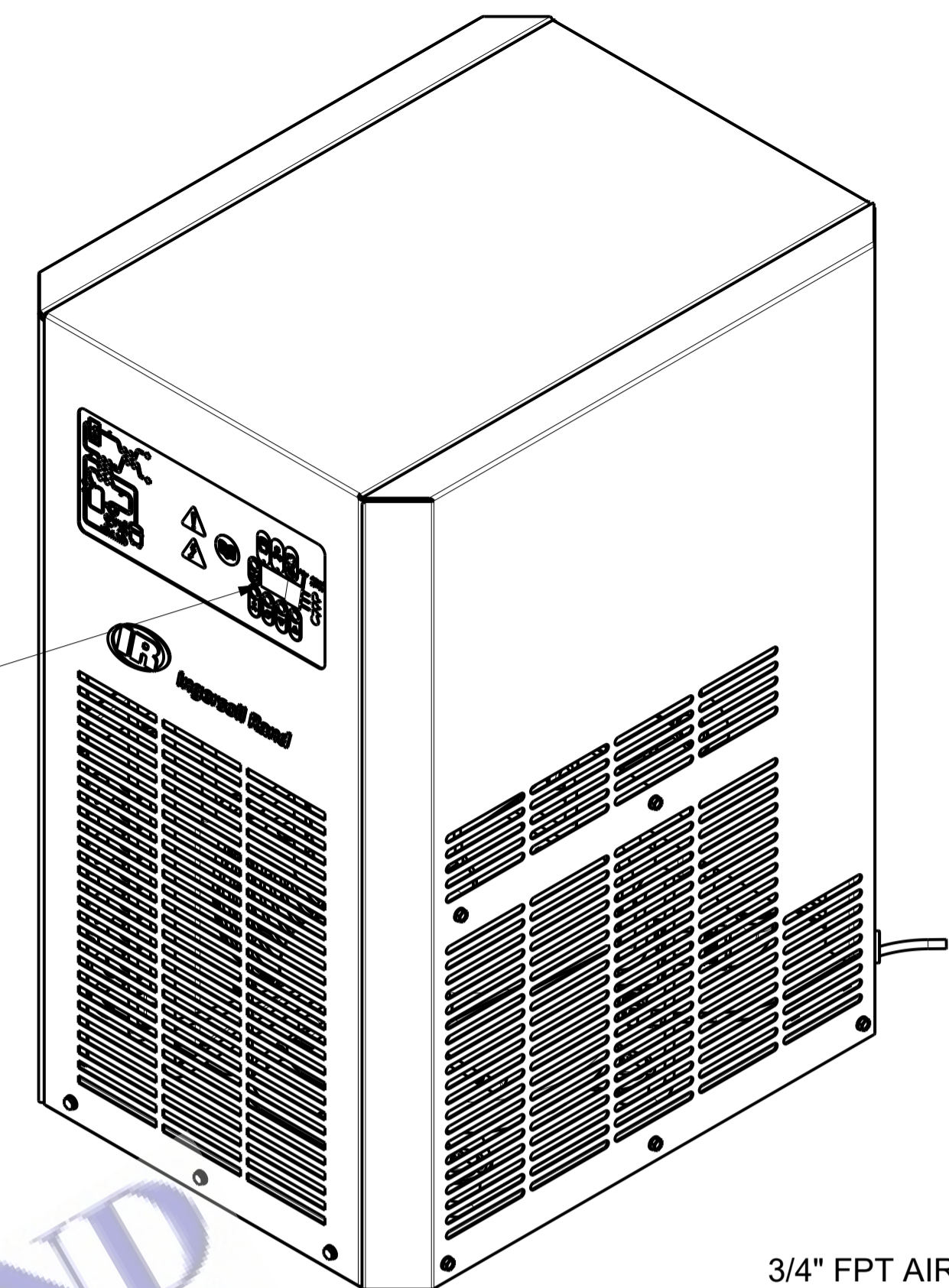


- NOTES:
 1) DRYER MUST BE POWERED BY A DEDICATED CIRCUIT.
 2) INSTALL DRAIN HOSE TO (UNPRESSURIZED) DRAIN.
 3) FULL LENGTH DRAIN HOSE NOT SHOWN FOR CLARITY.

REVISIONS				DATE	DRAWN	APPD
ZONE	REV	ECN	DESCRIPTION	06-22-20	JFF	
	A		ORIGINAL RELEASE			

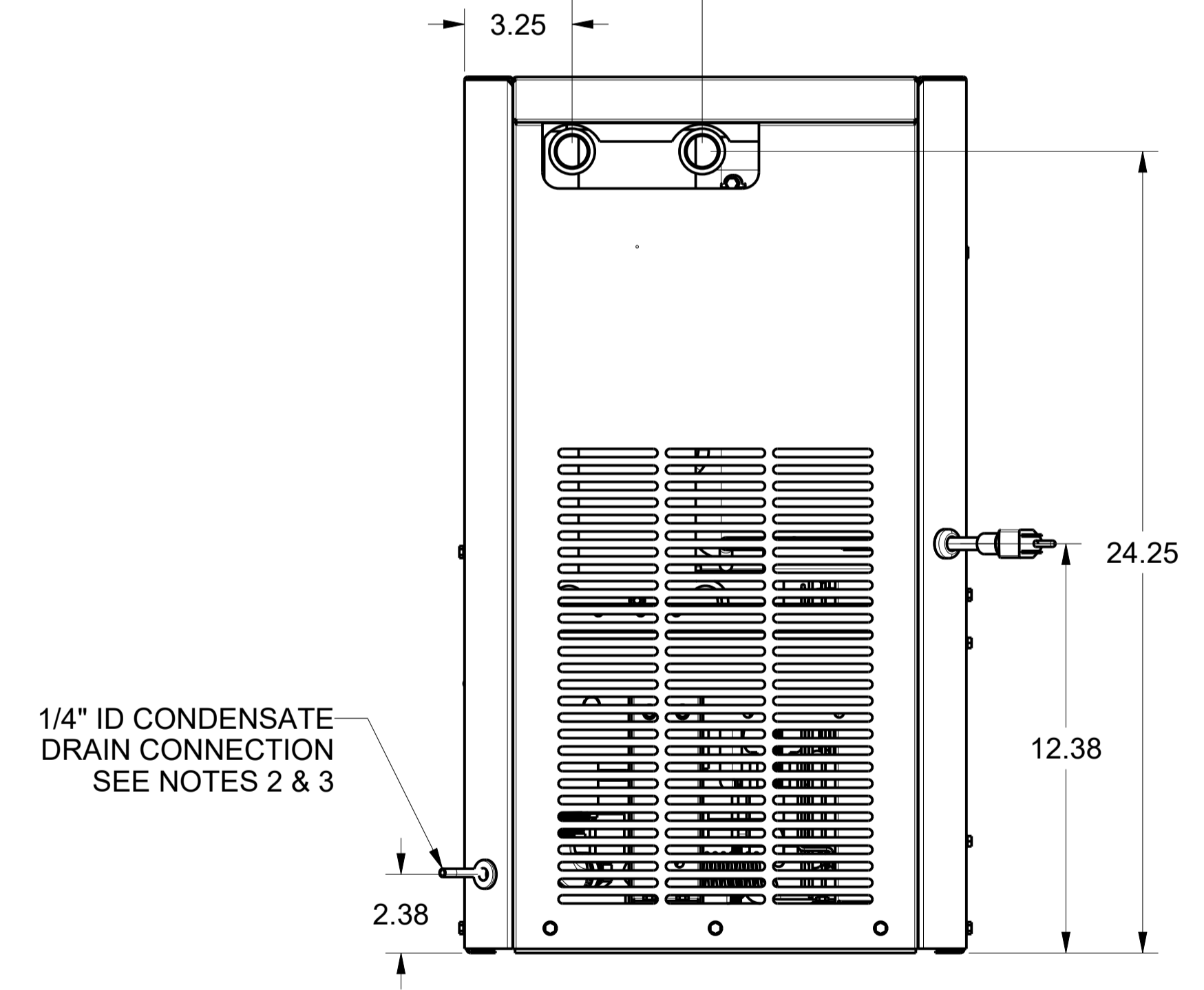
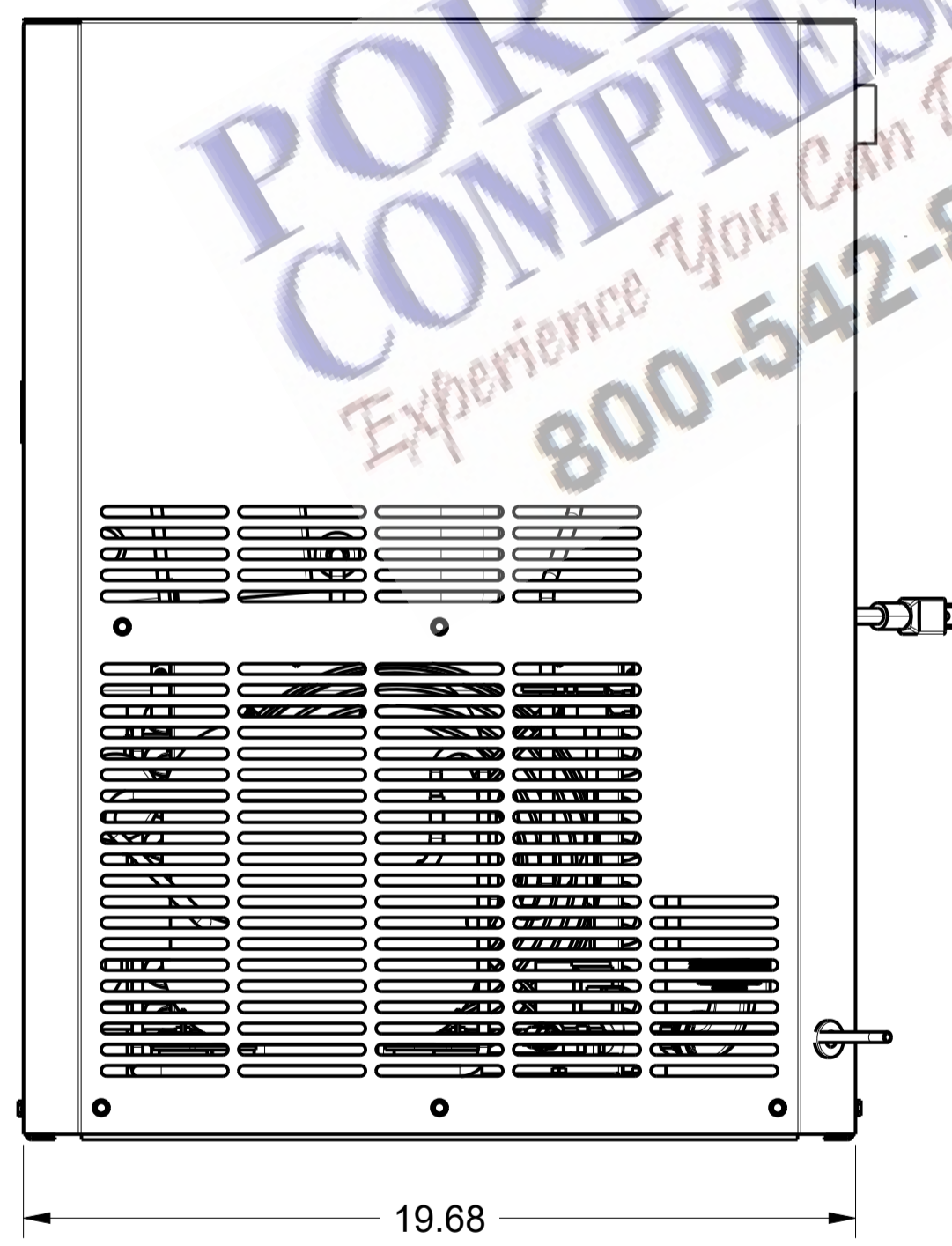
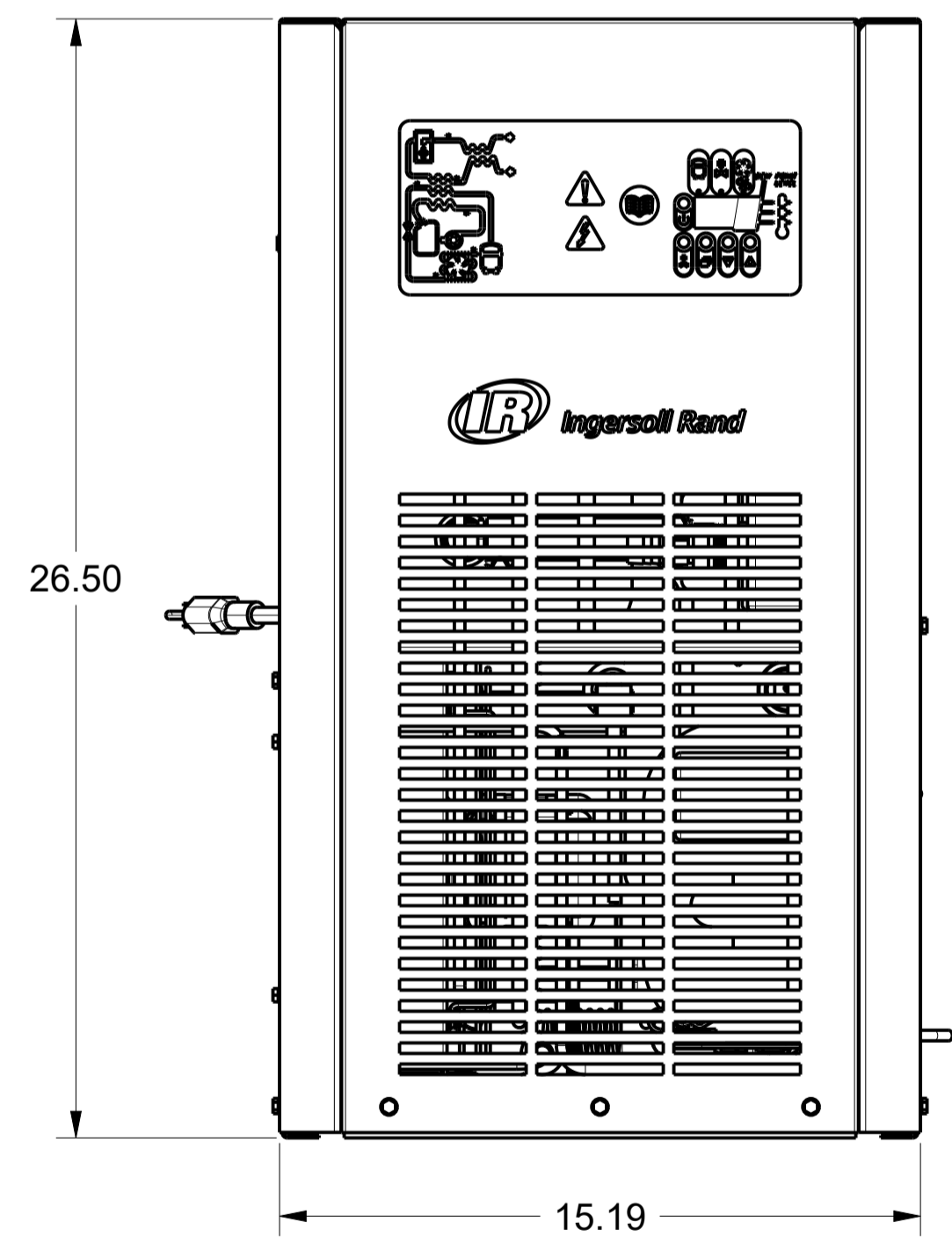


DIGITAL DISPLAY
 SEE TECHNICAL MANUAL FOR
 DETAILED INFORMATION



FACE OF AIR INLET & OUTLET
 CONNECTION

3/4" FPT AIR OUTLET
 CONNECTION 3/4" NPT AIR INLET
 CONNECTION



1/4" ID CONDENSATE
 DRAIN CONNECTION
 SEE NOTES 2 & 3

POWER CORD

PORTLAND COMPRESSOR
Experience You Can Depend On
 800-542-8300

GENERAL ARRANGEMENT TOLERANCES
ALL DIMENSIONS ARE IN INCHES
UNSPECIFIED TOLERANCES:
X : ± .25
ANGLES : ± 1°
<small>Ingersoll-Rand Industrial Technologies</small>

WARNING: THE EXPORT OR REEXPORT OF THIS DRAWING OR A PRODUCT PRODUCED BY THIS DRAWING IS SUBJECT TO U.S. EXPORT ADMINISTRATION REGULATIONS AND OTHER APPLICABLE GOVERNMENT RESTRICTIONS OR REGULATIONS.

PROPRIETARY NOTICE
 THIS DRAWING CONTAINS CONFIDENTIAL AND TRADE SECRET INFORMATION, IS THE PROPERTY OF INGERSOLL-RAND CO., AND IS GIVEN TO THE RECEIVER IN CONFIDENCE. THE RECEIVER BY RECEPTION AND RETENTION OF THE DRAWING ACCEPTS THE DRAWING IN CONFIDENCE AND AGREES THAT, EXCEPT AS AUTHORIZED IN WRITING BY INGERSOLL-RAND CO., IT WILL (1) NOT USE THE DRAWING OR ANY COPY THEREOF OR THE CONFIDENTIAL OR TRADE SECRET INFORMATION THEREIN; (2) NOT COPY THE DRAWING; (3) NOT DISCLOSE TO OTHERS EITHER THE DRAWING OR THE CONFIDENTIAL OR TRADE SECRET INFORMATION THEREIN; AND (4) UPON COMPLETION OF THE NEED TO RETAIN THE DRAWING, OR UPON DEMAND, RETURN THE DRAWING, ALL COPIES THEREOF, AND ALL MATERIAL COPIED THEREFROM.

DO NOT SCALE DRAWING
 DRAWING CONFORMS TO ASME Y14.5M - 1994
 CAD GENERATED DRAWING,
 NO MANUAL REVISIONS ALLOWED

UNLESS OTHERWISE SPECIFIED:
 - REMOVE ALL BURRS AND SHARP CORNERS
 - WELD SYMBOLS TO BE IN ACCORDANCE WITH ANSI/AWS A2.4

COPYRIGHT © 2020
 Ingersoll Rand
 ALL RIGHTS RESERVED

THIRD ANGLE PROJECTION	
DRAWN JFF	DATE 06-22-20
CHECKED	DATE
APPROVED	DATE
DRAWING TYPE Detail Drawing	
NOMENCLATURE	

IR Ingersoll Rand

GENERAL ARRANGEMENT

SIZE A1	ESTIMATED WEIGHT (NO UNLESS OTHERWISE SPECIFIED) 0.0 pound	DWG NO. 47696431	REVISION A
SCALE 0.25	MODEL DA85ECA1000	SHEET 1 OF 1	