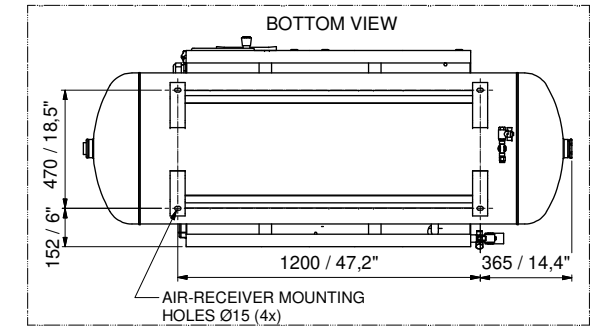
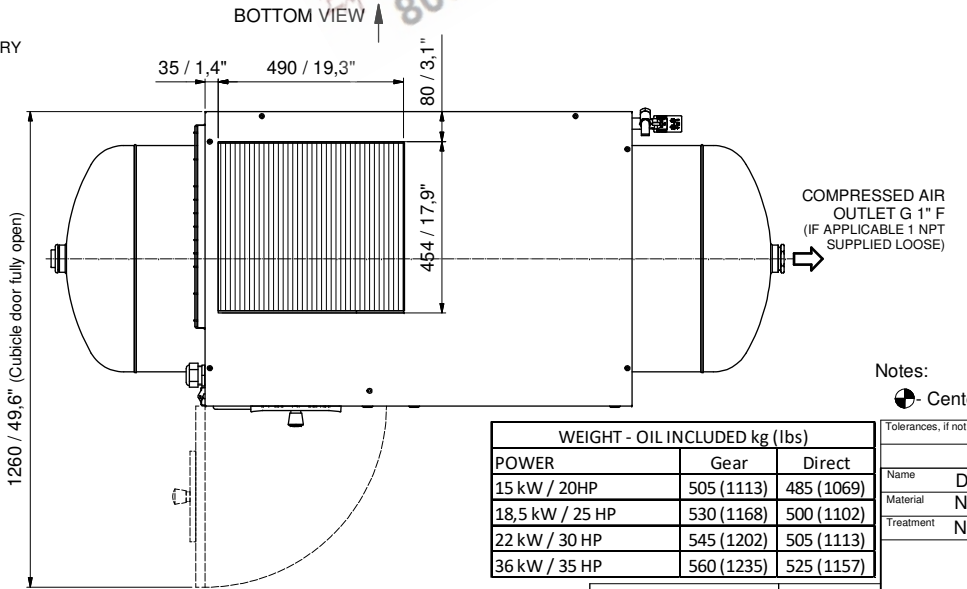
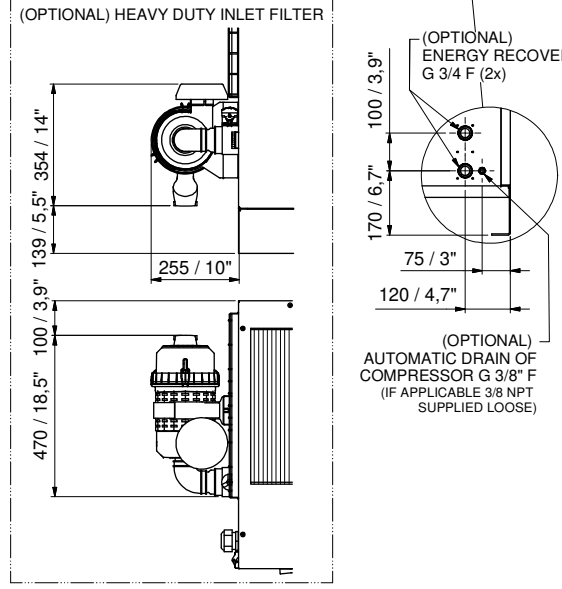
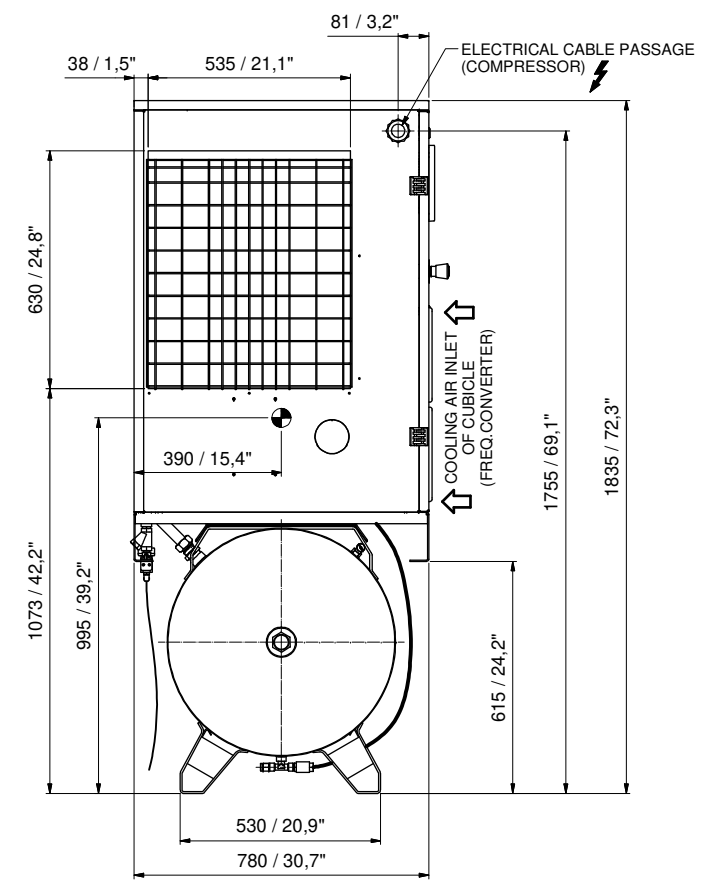
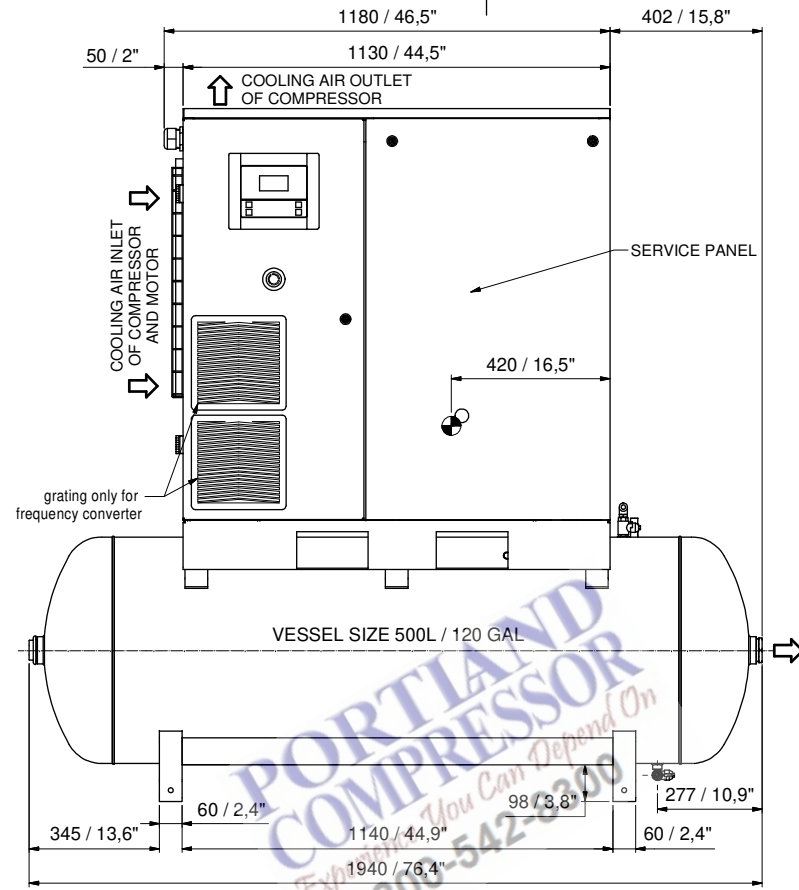
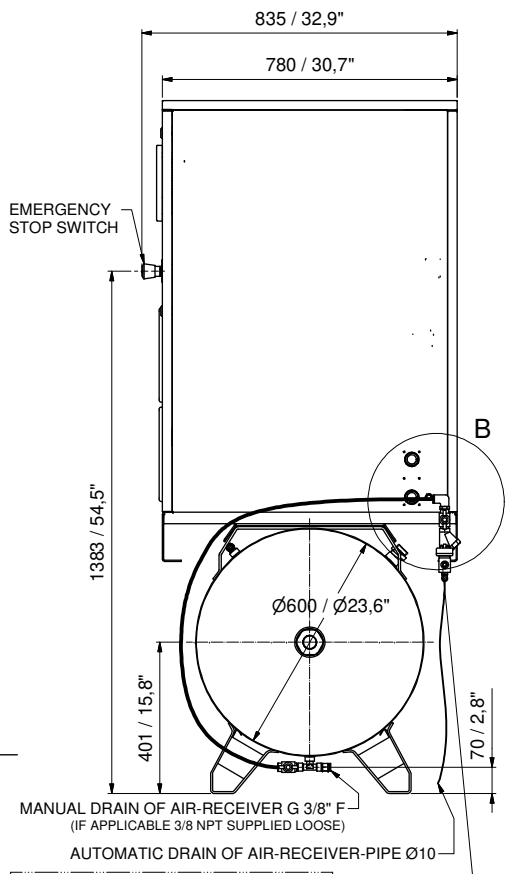


All materials supplied are in compliance with the requirements of the List of Prohibited Substances



Notes:  
 ● Center of gravity  
 Dimensions metric (mm) / imperial (inches)  
 Dimension tolerances ± 10 / 0,4" Weight tolerances ± 10 kg / 22lbs

WEIGHT - OIL INCLUDED kg (lbs)		
POWER	Gear	Direct
15 kW / 20HP	505 (1113)	485 (1069)
18,5 kW / 25 HP	530 (1168)	500 (1102)
22 kW / 30 HP	545 (1202)	505 (1113)
36 kW / 35 HP	560 (1235)	525 (1157)

Tolerances, if not indicated, according to:					
Name	DIMENSION DRAWING C67 GD-DD PACK TM A2		Confidentiality Class acc. to 1102 K		
Material	Not Applicable		Confidential		
Treatment	Not Applicable		INV		
Scale	1 : 10	Family	BP C67 GD-DD	Compare	
Drawn by	caisgraser	Blank nr.		Replaces	
Drawing format	Blank wt. A2	Kg	Fin. wt.	N/A	
STATUS	Des checked.	Prod checked.	Approved.	Date	Sheet 1 / 1
Approved				28/09/2018	9828083755

01	Updated views with options - CID 27407/14-10-19 - DN 19062561		15/10/2019	sgraser
Ed	Position	Modified from	Date	Intr./Appd.

CONFIDENTIAL: This document is our property and shall not be disclosed or reproduced without our written permission. It is intended for use by manufacturing or communication to any other person or company.