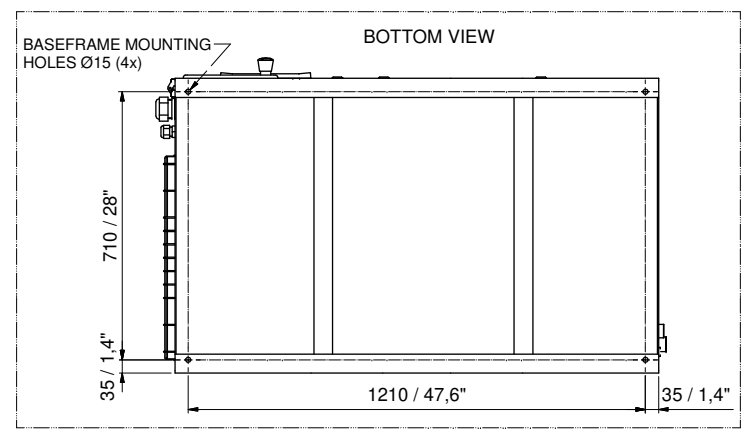
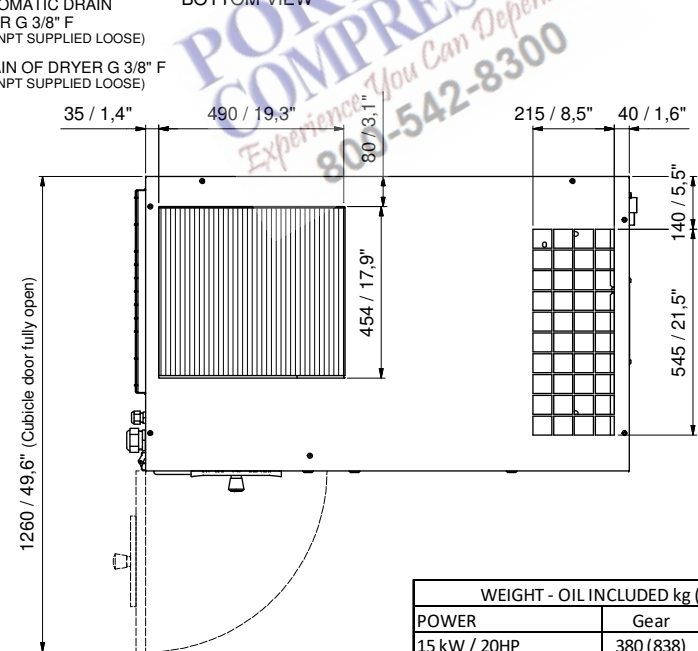
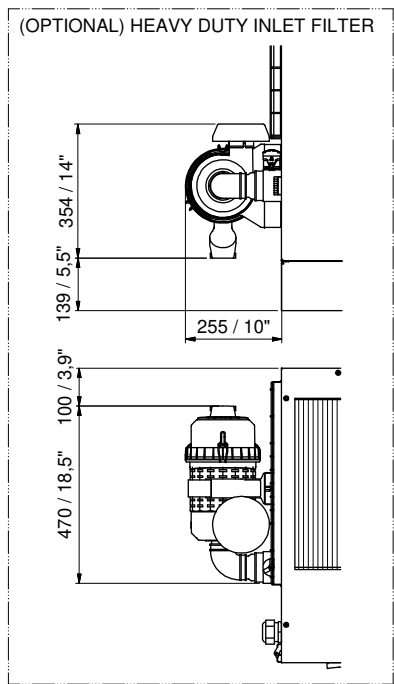
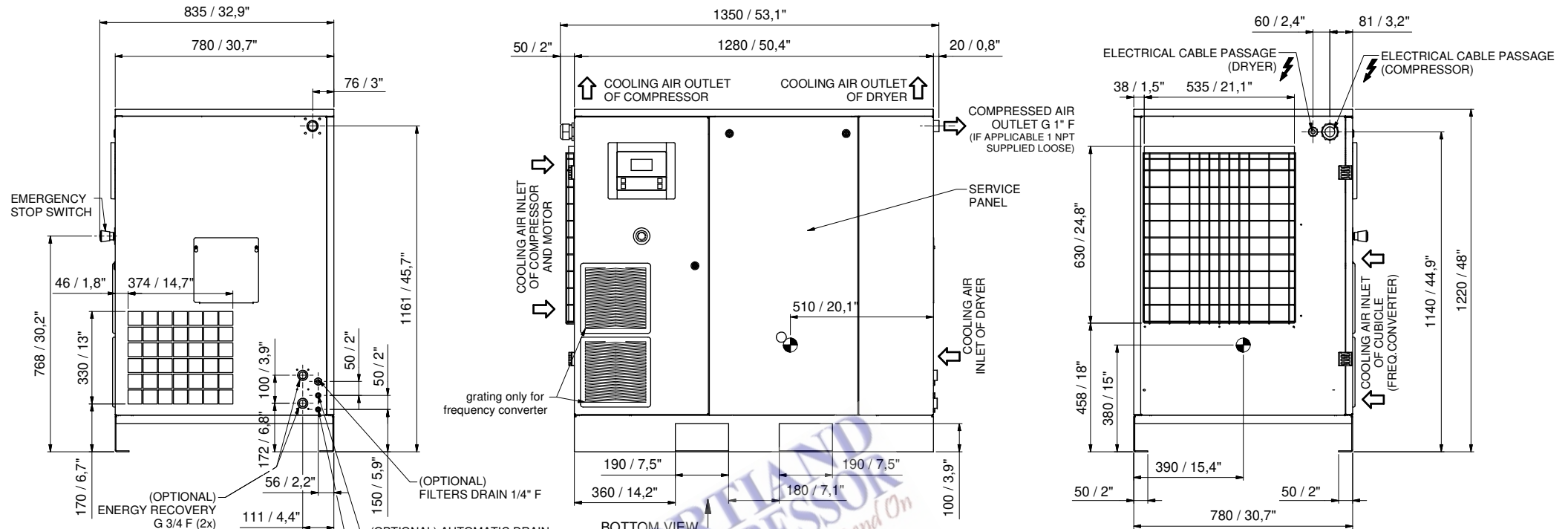


All materials supplied are in compliance with the requirements of the List of Prohibited Substances



Notes:  
 ● - Center of gravity  
 Dimensions metric (mm) / imperial (inches)  
 Dimension tolerances ± 10 / 0,4" Weight tolerances ± 10 kg / 22lbs

WEIGHT - OIL INCLUDED kg (lbs)		
POWER	Gear	Direct
15 kW / 20HP	380 (838)	360 (794)
18,5 kW / 25 HP	410 (904)	380 (838)
22 kW / 30 HP	425 (937)	390 (860)
36 kW / 35 HP	440 (970)	405 (893)

Name		DIMENSION DRAWING		C67 GD-DD FF FM A1		Confidentiality Class	acc. to 1102 K
Material		Not Applicable		NO BAFFLE		Confidential	
Treatment		Not Applicable		INV			
Scale	1 : 10	Family	BP C67 GD-DD	Compare		Drawing Owner	Transferred from
Drawn by	caisgraser	Blank nr.		Replaces		CAI	
Drawing format	Blank wt.	Kg	Fin. wt.	N/A	Designation		Sheet 1 / 1
STATUS	Des checked.	Prod checked.	Approved.	Date	28/09/2018	9828083748	

01	Updated views with options - CID 27407/14-10-19 - DN 19062561	15/10/2019	sgraser
Ed	Position	Date	Intr./Appd.

CONFIDENTIAL: This document is our property and shall not without our permission be altered, copied, used for manufacturing or communication to any other person or company.