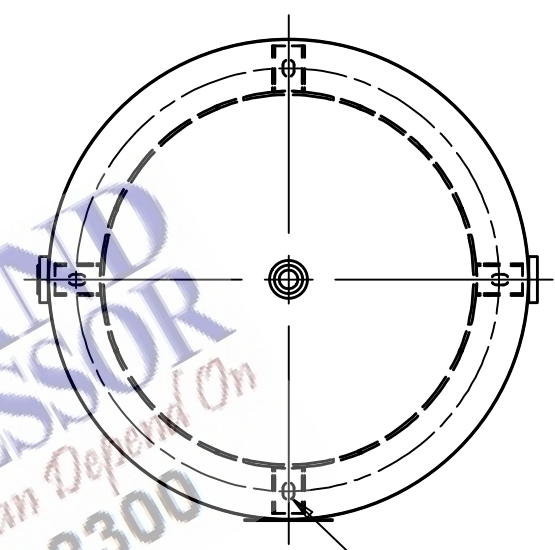
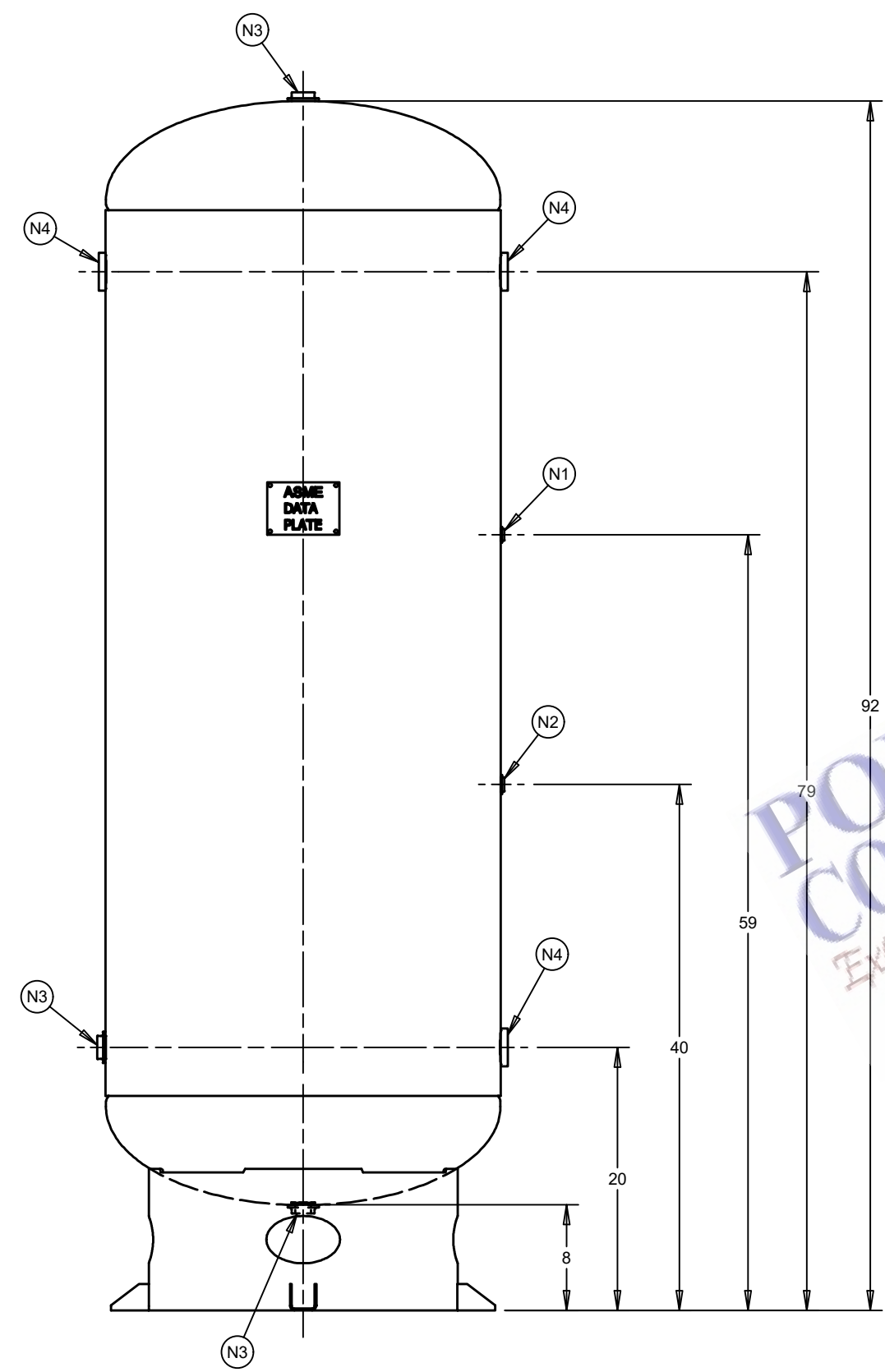


NOZZLE CHART	
NOZZLE ID	NPT SIZE
N1	1/4
N2	1/2
N3	1
N4	2



TOP VIEW

PORTLAND COMPRESSOR
Experience You Can Depend On
800-542-8300



DESIGN INFORMATION	
SPECIFICATION	VALUE
DIAMETER O.D./I.D.	30 O.D.
MAWP	200 PSI AT 400°F
MDMT	-20°F AT 200 PSI
CAPACITY	APPROX 240 GALLONS
SHIPPING WEIGHT	542 LBS
CRN	L4036.5C

TITLE VERTICAL AIR RECEIVER					
CUSTOMER STOCK					
TYPE ASME		SIZE: B SHEET 1 OF 1			

(BUILT IN ACCORDANCE WITH LATEST EDITION OF SECTION VIII DIV 1 ASME CODE)
 THIS DRAWING & SPECIFICATIONS ARE PROPERTY OF SPVG AND MAY NOT BE COPIED, REPRODUCED, OR USED IN WHOLE OR PART, AS A BASIS FOR DESIGN MANUFACTURE OR SALE WITHOUT PRIOR PERMISSION FROM SPVG.

C19	ISSUED		
REV	DESCRIPTION	BY	DATE