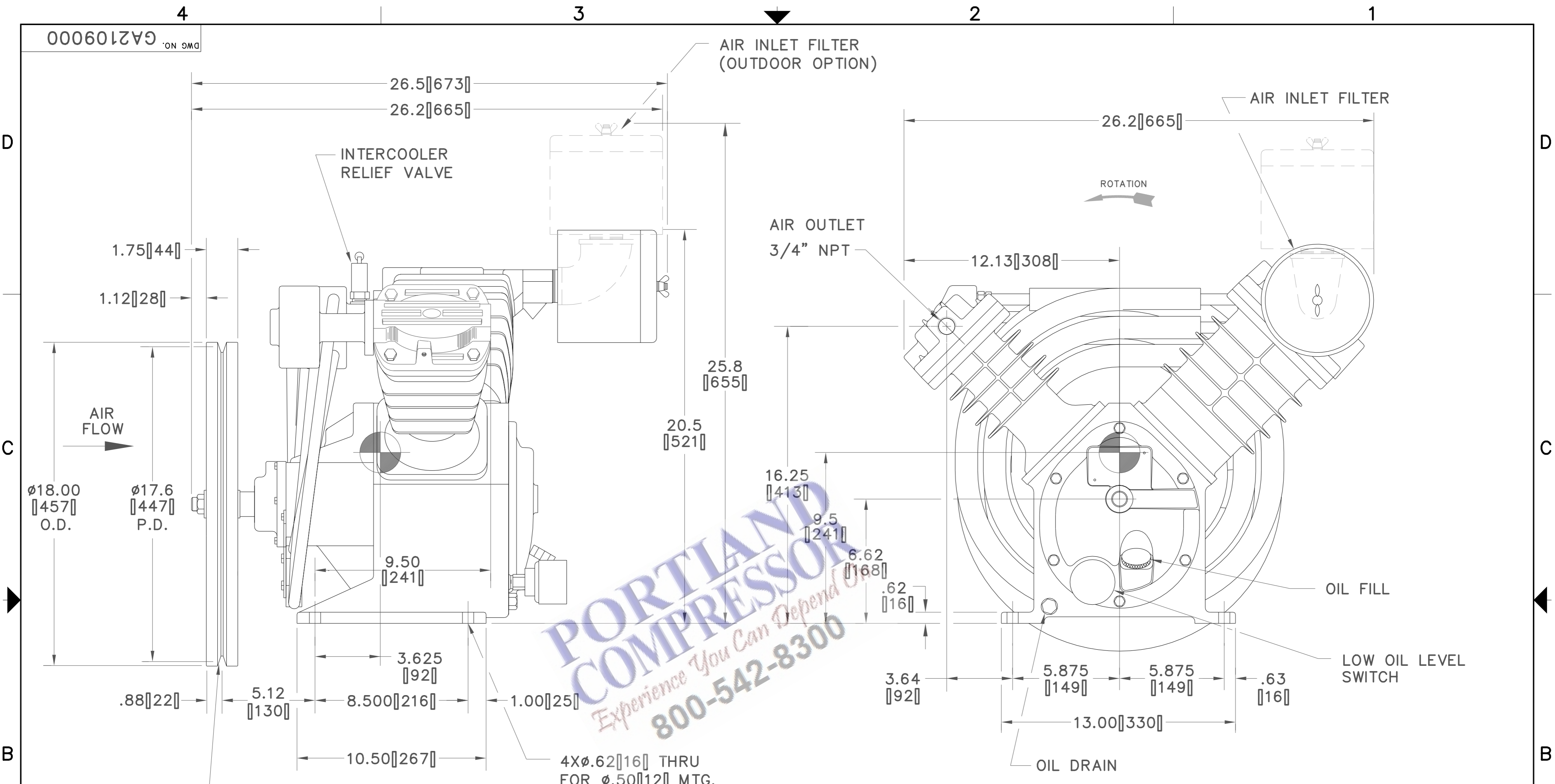


GA2109000 ON DMD



**PORTLAND COMPRESSOR**  
*Experience You Can Depend On*  
 800-542-8300

**NOTES:**

1. CUSTOMER MUST SUPPLY MTG. ARRANGEMENT WITH AT LEAST 2.00[51] MIN. BELT TAKE-UP.
2. ALL DIMENSIONS GIVEN IN INCHES.
3. LEAVE AT LEAST 12.00[305] MIN. CLEARANCE ON ALL SIDES FOR PROPER AIR CIRCULATION.
4. WEIGHT: 235 LBS[106kg]
5. ALL UNSPECIFIED TOLERANCES:  
 XXX = ±.030[1]  
 XX = ±.12[3]  
 X = ±.25[6]
6. ALL DIMENSIONS IN [ ] ARE MILLIMETERS UNLESS OTHERWISE SPECIFIED.

<b>APPROVED FOR:</b>		<b>SIZE:</b> _____		<small>PROPRIETARY NOTICE</small> THIS DOCUMENT CONTAINS CONFIDENTIAL AND TRADE SECRET INFORMATION, IS THE PROPERTY OF INGERSOLL-RAND COMPANY, AND IS GIVEN TO THE RECEIVER IN CONFIDENCE. THE RECEIVER BY RECEPTION AND RETENTION OF THE DOCUMENT ACCEPTS THE DOCUMENT IN CONFIDENCE AND AGREES THAT, EXCEPT AS AUTHORIZED IN WRITING BY INGERSOLL-RAND COMPANY, IT WILL (1) NOT USE THE DOCUMENT OR ANY COPY THEREOF OR THE CONFIDENTIAL OR TRADE SECRET INFORMATION THEREIN; (2) NOT COPY THE DOCUMENT; (3) NOT DISCLOSE TO OTHERS EITHER THE DOCUMENT OR THE CONFIDENTIAL OR TRADE SECRET INFORMATION THEREIN; AND (4) UPON COMPLETION OF THE NEED TO RETAIN THE DOCUMENT, OR UPON DEMAND, RETURN THE DOCUMENT, ALL COPIES THEREOF, AND ALL MATERIAL COPIED THEREFROM.  <small>Copyright © 1992          Ingersoll-Rand Company          All Rights Reserved</small>		 <small>THIRD ANGLE PROJECTION</small> SCALE 1/4"=1"		<b>INGERSOLL-RAND Co.</b> <small>RECIPROCATING COMPRESSOR DIVISION          SMALL COMPRESSOR BUSINESS UNIT          CAMPBELLVILLE, KY</small>	
IR ORDER NO. _____		MODEL: _____							
CUSTOMER: _____		PISTON DISPLACEMENT: _____		DRAWN GREG T.		TITLE GENERAL ARRANGEMENT			
CUSTOMER ORDER NO. _____		SPEED RPM: _____		CHECKED _____		SIZE C		DWG NO. GA2109000	
PER: _____ DATE: _____		DISCHARGE PRESSURE RATING: _____		ENGR. APP _____		REV 07		SHEET 1 OF 1	
		ACTUAL DELIVERY: _____		WARNING: The export or reexport of this drawing or a product produced by this drawing is subject to U.S. Export Administration Regulations and other applicable governmental restrictions or regulations.					
		REGULATION: _____							