



Project Painter[™] 5, Project Painter[™] 7, SR[™] 7, ProX7[™] & ProX9[™] Airless Sprayers

312004B

- For portable spray applications of architectural paints and coatings -

(See specifications, page 2.)

					
---	---	--	--	--	--

Project Painter 5 and Project Painter 7 ONLY. Use water based or mineral-spirit type material only. Do not use materials having flash points lower than 70°F (21°C). For more information about your material request MSDS from distributor or retailer.



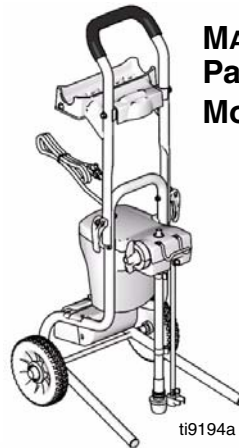
IMPORTANT SAFETY INSTRUCTIONS.

Read all warnings and instructions in this manual. Save these instructions. See page 2 for model and series information including dispense rate, recommended hose length, guns, and maximum working pressure.



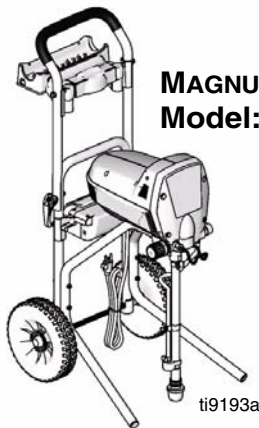
MAGNUM Project Painter 5
Model: 261800

ti9195a



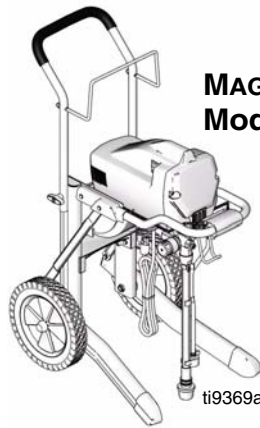
MAGNUM Project Painter 7
Model: 261805

ti9194a



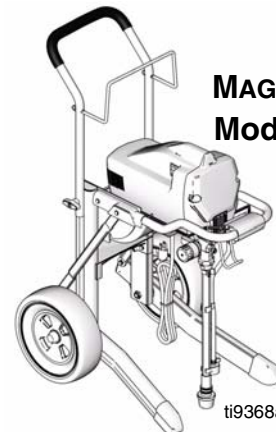
MAGNUM SR7
Model: 261810

ti9193a



MAGNUM ProX7
Model: 261815

ti9369a



MAGNUM ProX9
Model: 261820

ti9368a

PROVEN QUALITY. LEADING TECHNOLOGY.





Specifications

This equipment is not intended for use with flammable or combustible materials used in places such as cabinet shops or other “factory”, or fixed locations. If you intend to use this equipment in this type of application, you must comply with NFPA 33 and OSHA requirements for the use of flammable and combustible materials.

Model Name	Series	Dispense Rate gpm (lpm)	Hose Length and Diameter	Gun Model	Maximum Working Pressure		
					PSI	MPa	bar
MAGNUM Project Painter 5	A	0.24 gpm (0.91 lpm)	1/4 in. x 25 ft (6.4 mm x 7.5 m)	SG10	2800	19	193
MAGNUM Project Painter 7	A	0.31 gpm (1.17 lpm)	1/4 in. x 35 ft (6.4 mm x 11 m)	SG10	3000	21	207
MAGNUM SR7	A	0.31 gpm (1.17 lpm)	1/4 in. X 35 ft (6.4 mm x 11 m)	SG10	3000	21	207
MAGNUM ProX7	A	0.34 gpm (1.28 lpm)	1/4 in. X 50 ft (6.4 mm x 15 m)	SG20	3000	21	207
MAGNUM ProX9	A	0.38 gpm (1.44 lpm)	1/4 in. X 50 ft (6.4 mm x 15 m)	SG20	3000	21	207

Warnings

The following warnings are for the setup, use, grounding, maintenance, and repair of this equipment. The exclamation point symbol alerts you to a general warning and the hazard symbols refer to procedure-specific risks. Refer back to these warnings. Additional, product specific warnings may be found throughout the body of this manual where applicable.

 WARNING	
	<p>FIRE AND EXPLOSION HAZARD</p> <p>Flammable fumes, such as solvent and paint fumes, in work area can ignite or explode. To help prevent fire and explosion:</p> <ul style="list-style-type: none"> • Use equipment only in well ventilated area. • Eliminate all ignition sources; such as pilot lights, cigarettes, portable electric lamps, and plastic drop cloths (potential static arc). • Sprayer generates sparks. When flammable liquid is used in or near the sprayer or for flushing or cleaning, keep sprayer at least 20 feet (6 m) away from explosive vapors. • Keep work area free of debris, including solvent, rags and gasoline. • Do not plug or unplug power cords or turn lights on or off when flammable fumes are present. • Ground equipment and conductive objects in work area. Read Grounding instructions. • If there is static sparking or you feel a shock, stop operation immediately. Do not use equipment until you identify and correct the problem. • Keep a fire extinguisher in the work area.
	<p>ELECTRIC SHOCK HAZARD</p> <p>Improper grounding, setup, or usage of the system can cause electric shock.</p> <ul style="list-style-type: none"> • Turn off and disconnect power cord before servicing equipment. • Use only grounded electrical outlets. • Use only 3-wire extension cords. • Ensure ground prongs are intact on sprayer and extension cords. • Do not expose to rain. Store indoors.
	<p>SKIN INJECTION HAZARD</p> <p>High-pressure fluid from gun, hose leaks, or ruptured components will pierce skin. This may look like just a cut, but it is a serious injury that can result in amputation. Get immediate surgical treatment.</p> <ul style="list-style-type: none"> • Do not point gun at anyone or at any part of the body. • Do not put your hand over the spray tip. • Do not stop or deflect leaks with your hand, body, glove, or rag. • Engage trigger lock when not spraying. • Follow Pressure Relief Procedure in this manual, when you stop spraying and before cleaning, checking, or servicing equipment.


WARNING
**EQUIPMENT MISUSE HAZARD**

Misuse can cause death or serious injury.

- Do not exceed the maximum working pressure or temperature rating of the lowest rated system component. Read **Technical Data** in all equipment manuals.
- Use fluids and solvents that are compatible with equipment wetted parts. Read **Technical Data** in all equipment manuals. Read fluid and solvent manufacturer's warnings. For complete information about your material, request MSDS from distributor or retailer.
- Check equipment daily. Repair or replace worn or damaged parts immediately with genuine Graco replacement parts only.
- Do not alter or modify equipment.
- Use equipment only for its intended purpose. Call your Graco distributor for information.
- Route hoses and cables away from traffic areas, sharp edges, moving parts, and hot surfaces.
- Do not kink or overbend hoses or use hoses to pull equipment.
- Comply with all applicable safety regulations.
- Keep children and animals away from work area.
- Do not operate the unity when fatigued or under the influence of drugs or alcohol.

**PRESSURIZED ALUMINUM PARTS HAZARD**

Do not use 1,1,1-trichloroethane, methylene chloride, other halogenated hydrocarbon solvents or fluids containing such solvents in pressurized aluminum equipment. Such use can cause serious chemical reaction and equipment rupture, and result in death, serious injury, and property damage.

**TOXIC FLUID OR FUMES HAZARD**

Toxic fluids or fumes can cause serious injury or death if splashed in the eyes or on skin, inhaled, or swallowed.

- Read MSDS's to know the specific hazards of the fluids you are using.
- Store hazardous fluid in approved containers, and dispose of it according to applicable guidelines.

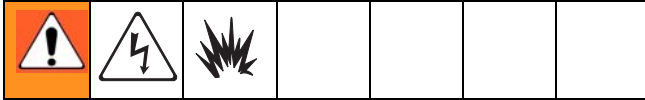
**PERSONAL PROTECTIVE EQUIPMENT**

You must wear appropriate protective equipment when operating, servicing, or when in the operating area of the equipment to help protect you from serious injury, including eye injury, inhalation of toxic fumes, burns, and hearing loss. This equipment includes but is not limited to:

- Protective eye wear
- Clothing and respirator as recommended by the fluid and solvent manufacturer
- Gloves
- Hearing protection

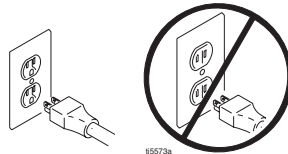
Installation

Grounding and Electric Requirements



Sprayer must be grounded. Grounding reduces the risk of static and electric shock by providing an escape wire for electrical current due to static build up or in the event of a short circuit.

- This sprayer requires a 120 Vac, 60 Hz, 15A circuit with a grounding receptacle.



- Never use an outlet that is not grounded or an adapter.

- Do not use the sprayer if the electrical cord has a damaged ground prong.




- Only use an extension cord with an undamaged 3-prong plug.

Recommended extension cords for use with this sprayer:

- 50 ft (15.0 m) 16 AWG (1.0 mm²)
- 100 ft (30.0 m) 14 AWG (1.5 mm²)

Spray gun: ground through connection to a properly grounded fluid hose and pump.

 Smaller gauge or longer extension cords may reduce sprayer performance.

Fluid supply container: follow local code.

Solvent pails used when flushing: follow local code. Use only conductive metal pails, placed on a grounded surface such as concrete. Do not place the pail on a nonconductive surface, such as paper or cardboard, which interrupts grounding continuity.


Grounding the metal pail: connect a ground wire to the pail by clamping one end to pail and other end to ground such as a water pipe.

Maintaining grounding continuity when flushing or relieving pressure: hold metal part of the spray gun firmly to the side of a grounded metal pail, then trigger the gun.



Thermal Overload

Motor has a thermal overload switch to shut itself down if overheated. If unit overheats, allow approximately 45 minutes for unit to cool. Once cool, switch will close and unit will restart.

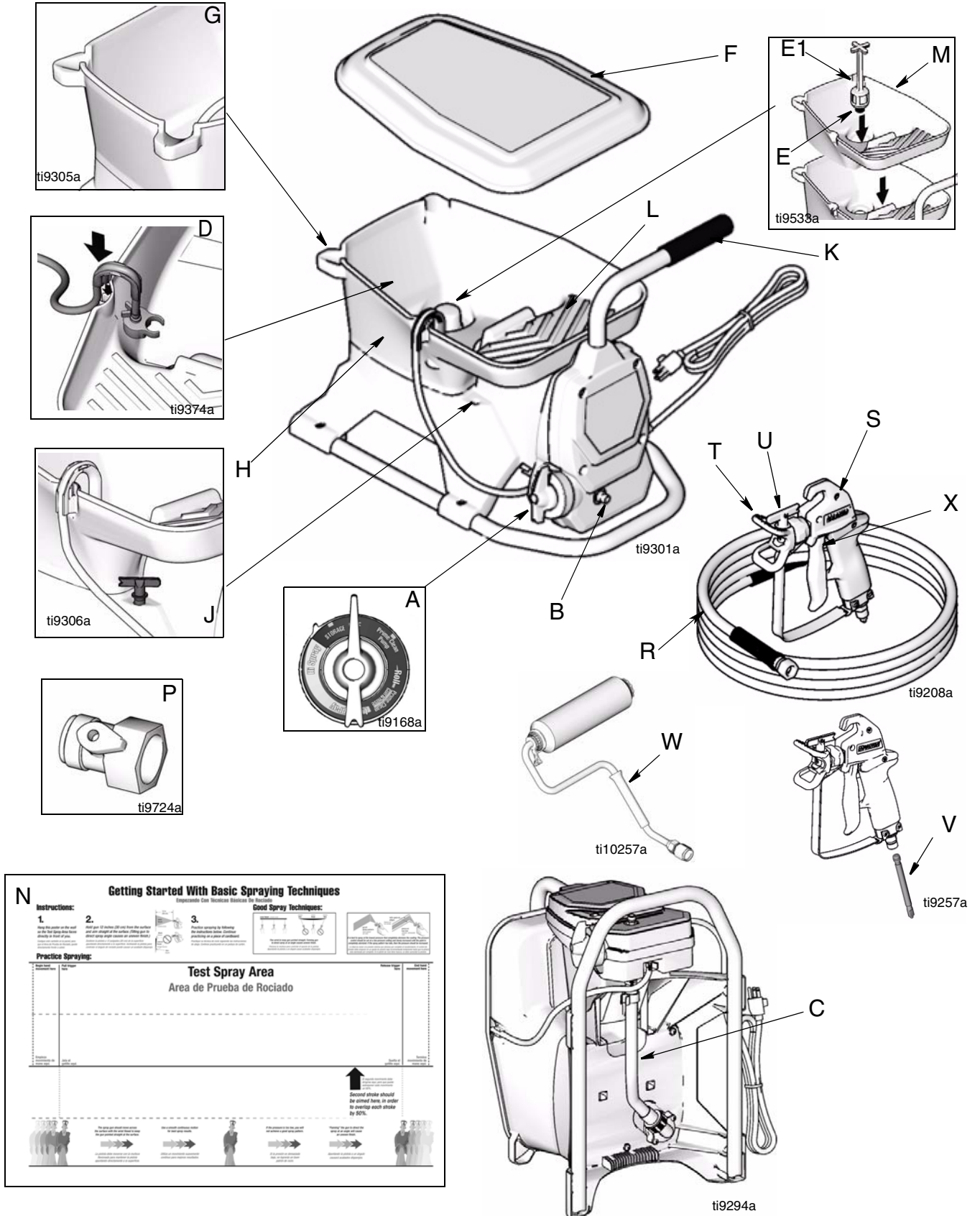
						
To reduce risk of injury from motor starting unexpectedly when it cools, always turn power switch OFF if motor shuts down.						

Component Identification

Project Painter 5

A	AllControl™	<ul style="list-style-type: none"> • STORAGE: for long term or overnight shutdown and storage. • OFF: turns motor off for short term shutdown and relieves system pressure. • PRIME/CLEAN PUMP: turns on motor and directs fluid to prime tube. • ROLL: directs low pressure fluid to roller (when used) • PRIME/CLEAN GUN & HOSE: directs fluid to gun and hose. • LOW SPRAY to HIGH SPRAY: directs fluid to spray gun.
B	Pump fluid outlet fitting	Threaded connection for paint hose.
C	Suction tube	Draws fluid from paint pail or hopper into pump.
D	Prime tube (with diffuser)	Drains fluid in system during priming and pressure relief.
E	Inlet screen	Prevents debris from entering pump.
E1	Inlet screen handle	Aids in the installation and removal of the inlet screen.
F	Hopper cover	Prevents debris from entering hopper.
G	Pour spouts	Directs paint out of hopper and back into paint container.
H	Hopper	2.5 gal. (9.5 L) capacity hopper that holds paint.
J	Tip holder	Storage for 2 spray tips.
K	Hopper handle	Press and turn handle to allow access to hopper and paint tray.
L	Paint tray	Built in paint tray to rest roller attachment when not in use.
M	Disposable hopper liner	Fits directly in hopper and is disposable for simple cleanup.
N	Practice Spray Board	Instructs user on how to perform basic spraying techniques and provides surface to practice techniques prior to spraying surfaces.
P	Power Flush™ attachment	Connects garden hose to suction tube for power flushing water-base fluids.
R	Paint hose	Transports high-pressure fluid from pump to spray gun.
S	Airless spray gun	Dispenses fluid.
T	Tip guard	Reduces risk of fluid injection injury.
U	Reversible spray tip	<ul style="list-style-type: none"> • Atomizes fluid being sprayed, forms spray pattern and controls fluid flow according to hole size. • When reversed, unclogs plugged tips without disassembly.
V	Gun fluid filter	Filters fluid entering spray gun to reduce tip clogs.
W	Roller attachment	Attaches to spray gun for pressure rolling directly on surfaces.
X	Gun trigger safety lever (page 14)	Prevents accidental triggering of spray gun.

Component Identification



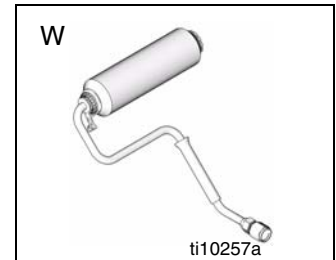
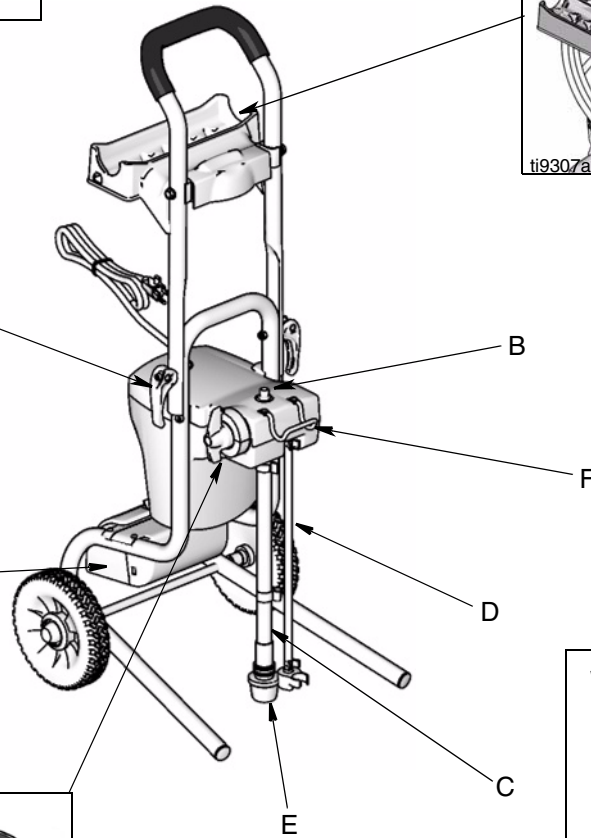
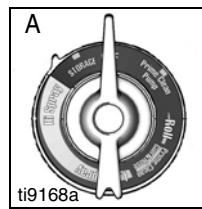
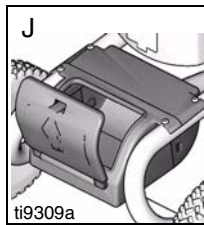
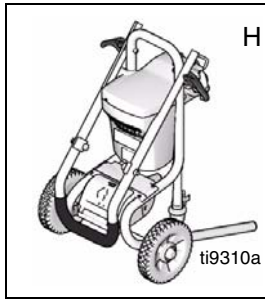
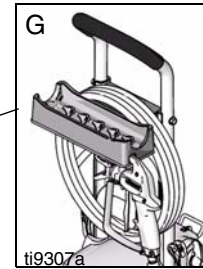
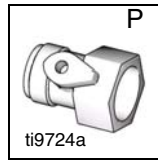
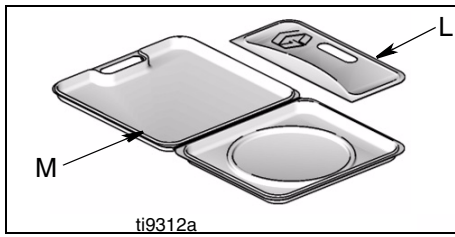
Bottom view and position for direct immersion mode

Component Identification

Project Painter 7

A	AllControl™	<ul style="list-style-type: none"> • STORAGE: for long term and overnight shutdown and storage. • OFF: turns motor off for short term shutdown and relieves system pressure. • PRIME/CLEAN PUMP: turns on motor and directs fluid to prime tube. • ROLL: directs low pressure fluid to roller (when used) • PRIME/CLEAN GUN & HOSE: directs fluid to gun and hose. • LOW SPRAY to HIGH SPRAY: directs fluid to spray gun.
B	Pump fluid outlet fitting	Threaded connection for paint hose.
C	Suction tube	Draws fluid from paint pail into pump.
D	Prime tube (with diffuser)	Drains fluid in system during priming and pressure relief.
E	Inlet screen	Prevents debris from entering pump.
F	Pail hanger	For transporting pail by its handle.
G	Roller tray/Gun holder/Hose Wrap	Removable tray can also be used to clean paint roller.
H	Quick Release Latch	Collapses handle for compact or hanging storage.
J	Storage compartment	Provides onboard storage for spray tips and/or tools.
L	Sample spray shield	Introduces benefits of a spray shield. Blocks paint from surfaces you do not want to spray.
M	SpillGuard™ tray	Protective tray to set sprayer and paint pail on during operation.
N	Practice spray board	Instructs user on how to perform basic spraying techniques and provides surface to practice techniques prior to spraying surfaces.
P	Power Flush™ attachment	Connects garden hose to Suction tube for power flushing water-base fluids.
R	Paint hose	Transports high-pressure fluid from pump to spray gun.
S	Airless spray gun	Dispenses fluid.
T	Tip guard	Reduces risk of fluid injection injury.
U	Reversible spray tip	<ul style="list-style-type: none"> • Atomizes fluid being sprayed, forms spray pattern and controls fluid flow according to hole size. • When reversed, unclogs plugged tips without disassembly.
V	Gun fluid filter	Filters fluid entering spray gun to reduce tip clogs.
W	Roller attachment	Attaches to spray gun for pressure rolling directly on surfaces.
X	Gun trigger safety lever (page 14)	Prevents accidental triggering of spray gun.

Component Identification



N

Getting Started With Basic Spraying Techniques

Esposable Con Técnicas Básicas De Rocío

Instructions:

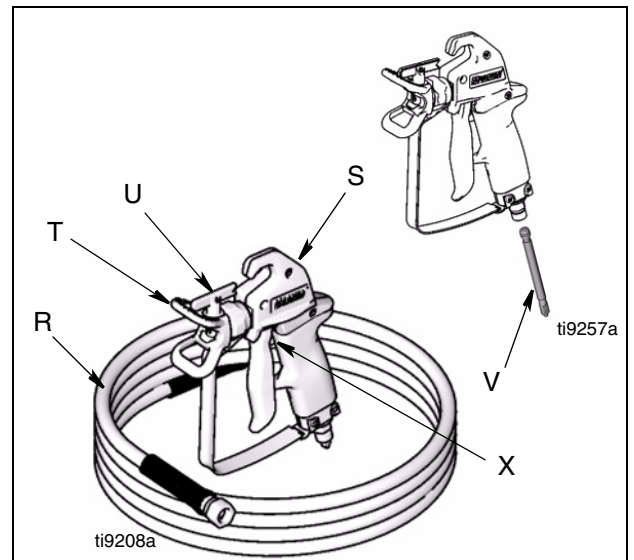
1. Hold the roller on the wall and spray a 2' section (20" x 20") and then the surface. Do not spray from the roller. Do not spray from the roller. Do not spray from the roller.
2. Hold the roller on the wall and spray a 2' section (20" x 20") and then the surface. Do not spray from the roller. Do not spray from the roller. Do not spray from the roller.
3. Practice spraying by holding the roller on the wall and spraying a 2' section (20" x 20") and then the surface. Do not spray from the roller. Do not spray from the roller. Do not spray from the roller.

Good Spray Techniques:

Practice Spraying:

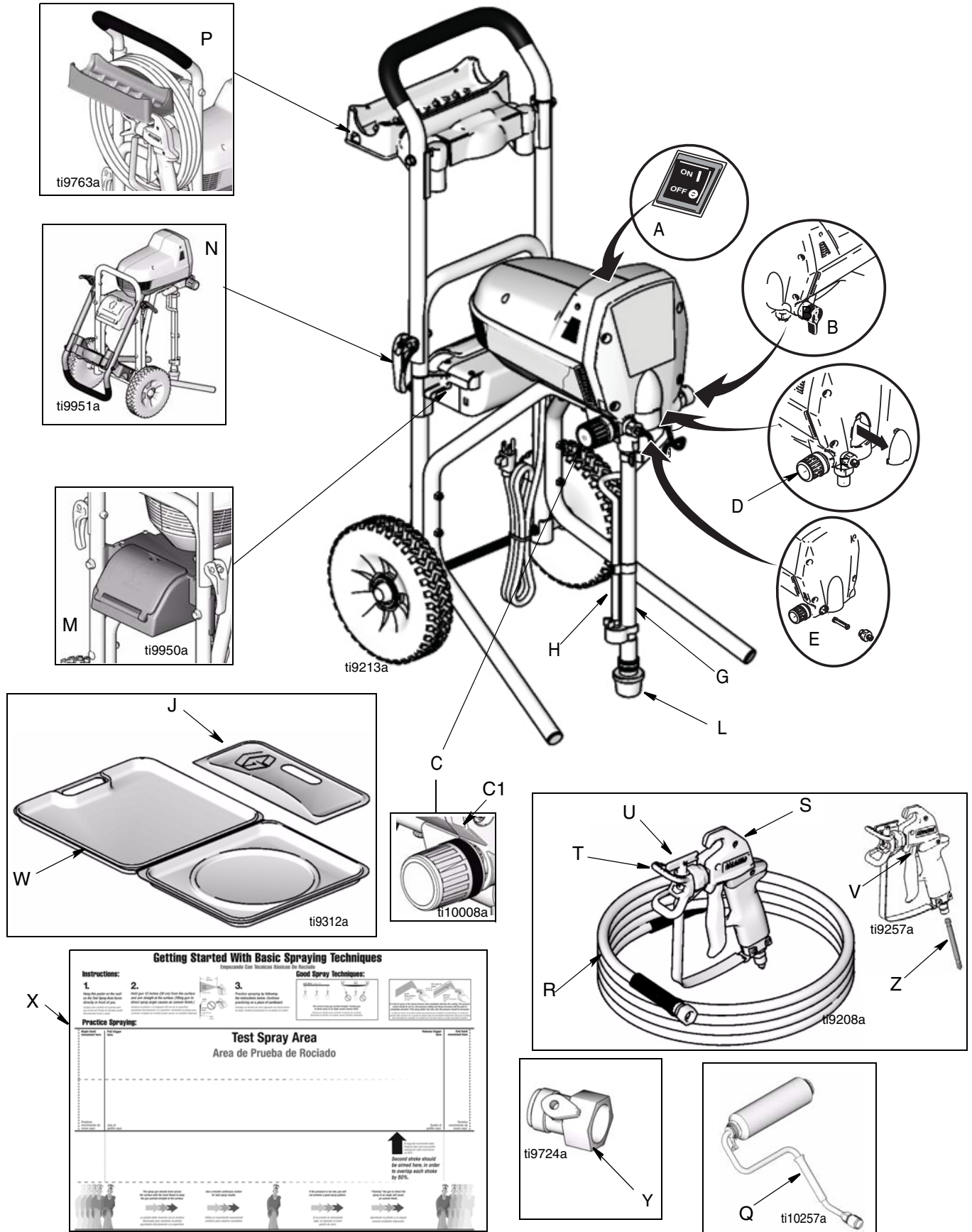
Test Spray Area
Area de Prueba de Rociado

Second stroke should be aimed back in order to overlap each stroke by 50%.



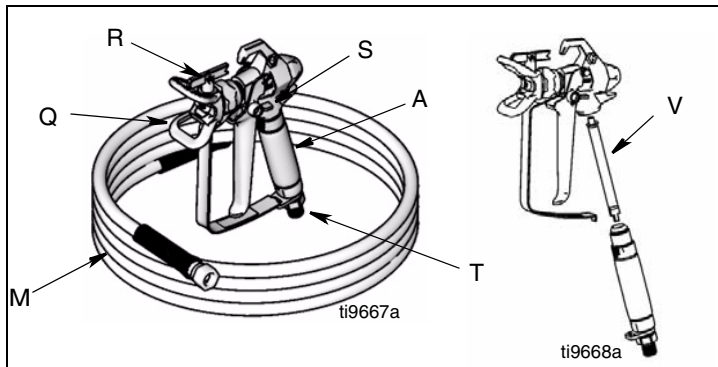
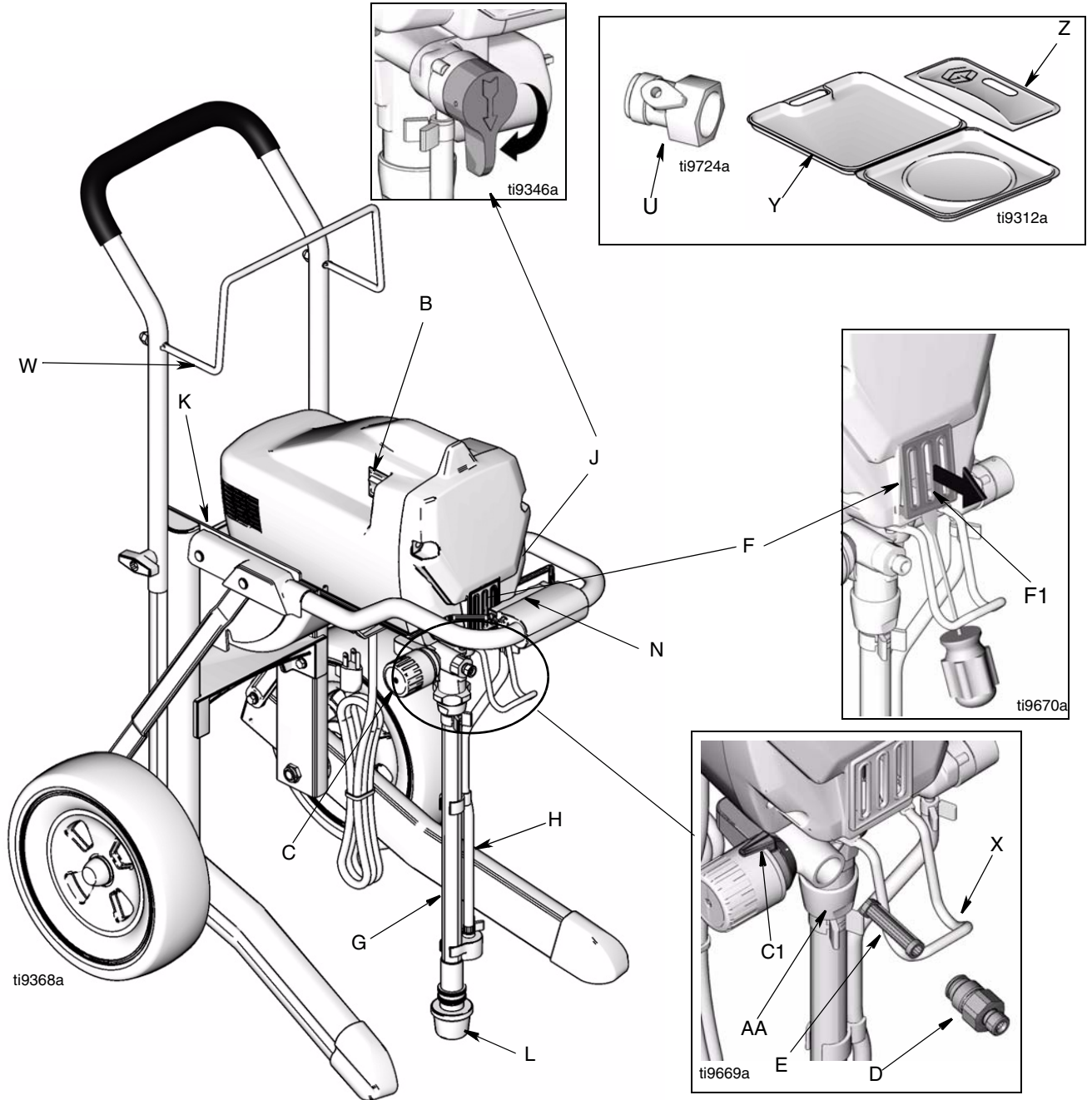
Component Identification - SR7

A	Power Switch	Turns sprayer ON and OFF.
B	Prime/Spray Valve	<ul style="list-style-type: none"> PRIME position (pointing down) directs fluid to prime tube. SPRAY position (pointing forward) directs pressurized fluid to paint hose. Automatically relieves system pressure in overpressure situations.
C	Pressure control knob	Increases (clockwise) and decreases (counter-clockwise) fluid pressure in pump, hose and spray gun.
C1	Setting Indicator	To select function, align symbol on pressure control knob with setting indicator, page 15.
D	Pump fluid outlet fitting	Threaded connection for paint hose.
E	InstaClean™ fluid filter	<ul style="list-style-type: none"> Filters fluid coming out of pump to reduce tip plugging and improve finish. Self cleans only during pressure relief.
F	Power-Piston™ Pump (behind Easy Access door)	Pressurizes fluid and delivers it to paint hose. Easy Access door permits quick removal of outlet valve.
G	Suction tube	Draws fluid from paint pail into pump.
H	Prime tube (with diffuser)	Drains fluid in system during priming and pressure relief.
J	Sample Spray Shield	Introduces benefits of a spray shield. Blocks paint from surfaces you do not want to spray.
L	Inlet screen	Prevents debris from entering pump.
M	Storage compartment	Provides onboard storage for spray tips and/or tools.
N	Quick Release Latch	Collapses handle for compact or hanging storage.
P	Roller tray/Gun holder/Hose wrap	Removable tray can also be used to clean paint roller.
R	Paint hose	Transports high-pressure fluid from pump to spray gun.
Q	Roller attachment	Used with spray gun to apply coating directly to surfaces.
S	Airless spray gun	Dispense fluid through spray tip or roller attachment.
T	Tip guard	Reduces risk of fluid injection injury.
U	Reversible spray tip	<ul style="list-style-type: none"> Atomizes fluid being sprayed, forms spray pattern and controls fluid flow according to hole size. Reverse unclogs plugged tips without disassembly.
V	Gun trigger safety lever (page 14)	Prevents accidental triggering of spray gun.
W	SpillGuard™ Tray	Protective tray to set sprayer and paint pail on during operation.
X	Practice spray board	Instructs user on how to perform basic spraying techniques and provides surface to practice techniques prior to spraying surfaces.
Y	Power Flush attachment	Connects garden hose to suction tube for power flushing water-base fluids.
Z	Gun fluid filter	Filters fluid entering spray gun to reduce tip clogs.



Component Identification ProX7 & ProX9

A	Airless spray gun	Dispenses fluid.
B	Power switch	Turns sprayer ON and OFF.
C	Pressure control knob	Increases (clockwise) and decreases (counter-clockwise) fluid pressure in pump, hose, and spray gun.
C1	Setting Indicator	To select function, align symbol on pressure control knob with setting indicator, page 15.
D	Pump fluid outlet fitting	Threaded connection for paint hose.
E	InstaClean™ fluid filter	<ul style="list-style-type: none"> Filters fluid coming out of pump to reduce tip plugging and improve finish. Self cleans only during pressure relief.
F	ProX Power-Piston™ Pump (behind Easy Access door, not shown)	Pumps and pressurizes fluid and delivers it to paint hose.
F1	Easy Access door	Easy Access door permits quick access to outlet valve. To remove door, insert flat blade of screwdriver into slot on the bottom of the door (as shown on page 13).
G	Suction tube	Draws fluid from paint pail into pump.
H	Prime tube (with diffuser)	Drains fluid in system during priming and pressure relief.
J	Prime/Spray valve	<ul style="list-style-type: none"> In PRIME position (pointing down) directs fluid to prime tube. In SPRAY position (pointing forward) directs pressurized fluid to paint hose. Automatically relieves system pressure in overpressure situations.
K	Storage compartment	Provides onboard storage for spray tips and/or tools.
L	Inlet screen	Prevents debris from entering pump.
M	Paint hose	Transports high-pressure fluid from pump to spray gun.
N	Fold-n-Store™ Handle	Used to fold cart frame for hanging on wall.
P	Practice Spray Board	Instructs user on how to perform basic spraying techniques and provides surface to practice techniques prior to spraying surfaces.
Q	Tip guard	Reduces risk of fluid injection injury.
R	Reversible spray tip	<ul style="list-style-type: none"> Atomizes fluid being sprayed, forms spray pattern and controls fluid flow according to hole size. Reverse unclogs plugged tips without disassembly.
S	Gun trigger safety lever (page 14)	Prevents accidental triggering of spray gun.
T	Gun fluid inlet fitting	Threaded connection for paint hose.
U	Power Flush attachment	Connects garden hose to suction tube for power flushing water-base fluids.
V	Gun fluid filter	Filters fluid entering spray gun to reduce tip clogs.
W	Hose wrap bracket	Stows paint hose.
X	Pail hanger	For transporting pail by its handle.
Y	SpillGuard™ tray	Protective tray to set sprayer and paint pail on during operation.
Z	Sample spray shield	Introduces benefits of a spray shield. Blocks paint from surfaces you do not want to spray.
AA	QuickAccess™ Inlet	Permits quick access to inlet valve to clear debris (ProX9 only).



P

Getting Started With Basic Spraying Techniques
Basics for Success Before You Start

Instructions:

1. Read the entire manual before use.
2. Wear eye protection and avoid contact with the spray.
3. Do not spray directly at people, animals, or plants.

Good Spray Techniques:

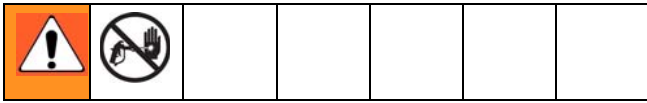
Practice Spraying:

Test Spray Area
 Área de Prueba de Rociado

↑
 Nozzle should always be aimed back in order to control each stroke by 50%.

Diagram illustrating the correct spraying technique, showing the nozzle being aimed back to control the spray.

General Repair Information



Trigger Lock

Always engage the trigger lock when you stop spraying to prevent the gun from being triggered accidentally by hand or if dropped or bumped.

Trigger Locked

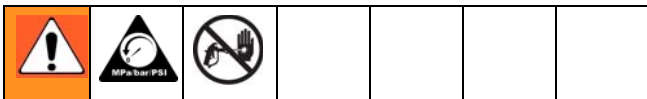


Trigger Unlocked

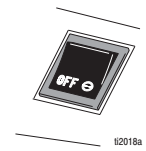


Pressure Relief Procedure

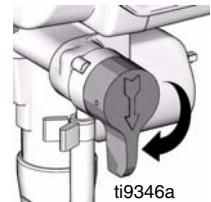
Follow this **Pressure Relief Procedure** whenever you stop spraying and before cleaning, checking, servicing, or transporting equipment.



1. Turn power switch OFF and unplug power cord.



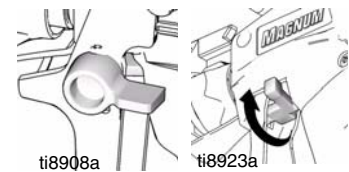
2. Turn Prime/Spray valve to PRIME to relieve pressure.




3. Hold gun firmly to side of pail. Trigger the gun to relieve pressure.



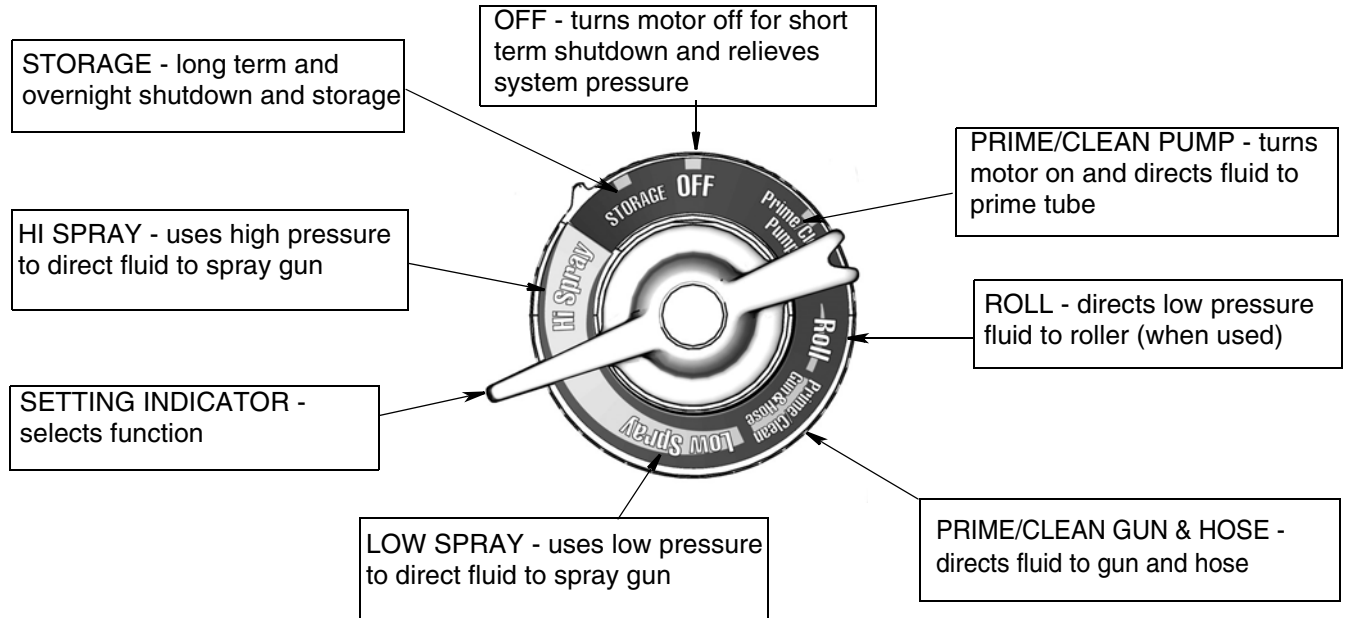
4. Engage trigger lock.



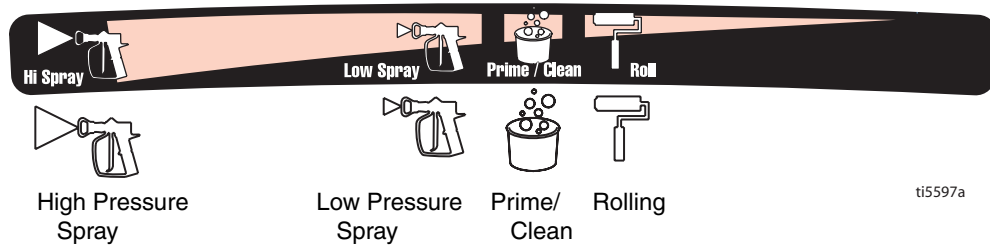
 Leave Prime/Spray valve in the PRIME position until you are ready to spray again.


If you suspect the spray tip or hose is clogged or that pressure has not been fully relieved after following the steps above, **VERY SLOWLY** loosen tip guard retaining nut or hose end coupling to relieve pressure gradually, then loosen completely. Clear hose or tip obstruction. Read Unclogging Spray Tip instructions in the Sprayer or Gun Operation manual.

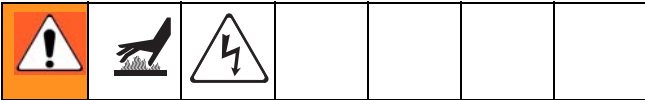
AllControl™ Settings



Pressure Control Knob Settings

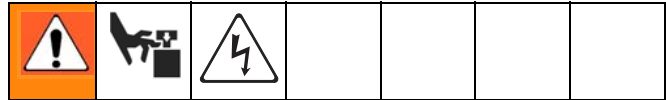


 To select function, align symbol on pressure control knob with setting indicator on sprayer.



Flammable materials spilled on hot, bare, motor could cause fire or explosion. To reduce risk of burns, fire or explosion, do not operate sprayer with cover removed.

- Keep all screws, nuts, washers, gaskets, and electrical fittings removed during repair procedures. These parts usually are not provided with replacement kits.
- Test repairs after problems are corrected.
- If sprayer does not operate properly, review repair procedure to verify you did it correctly. See **Basic Troubleshooting**, page 17 and **Advanced Troubleshooting**, page 21.
- Overspray may build up in the air passages. Remove any overspray and residue from air passages and openings in the enclosures whenever you service sprayer.
- Do not operate the sprayer without the cover in place. Replace if damaged. Covers direct cooling air around motor to prevent overheating.



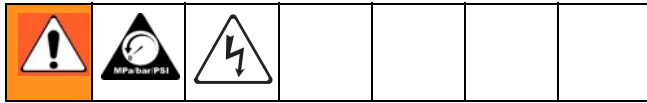
To reduce risk of serious injury, including electric shock:

- Do not touch moving or electric parts with fingers or tools while testing repair.
- Unplug sprayer when power is not required for testing.
- Install all covers, gaskets, screws and washers before you operate sprayer.

CAUTION

- Do not run sprayer dry for more than 30 seconds. Doing so could damage pump packings.
- Protect the internal drive parts of this sprayer from water. Openings in the cover allow for air cooling of the mechanical parts and electronics inside. If water gets in these openings, the sprayer could malfunction or be permanently damaged.
- Prevent pump corrosion and damage from freezing. Never leave water or water-base paint in sprayer when its not in use in cold weather. Freezing fluids can seriously damage sprayer. Store sprayer with Pump Armor to protect sprayer during storage.

Basic Troubleshooting



Check everything in this Basic Troubleshooting Table before you bring the sprayer to a Graco/MAGNUM authorized service center.

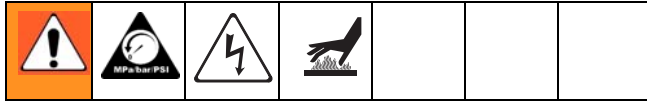
Problem	Cause	Solution
Project Painter 5 and Project Painter 7 - AllControl is on and sprayer is plugged in, but motor does not run, and pump does not cycle, or motor continues to run in OFF position. or SR7, ProX 7 and ProX9 - Power Switch is on and sprayer is plugged in, but motor does not run, and pump does not cycle.	Project Painter 5 and Project Painter 7 - AllControl is set at zero pressure.	Turn AllControl clockwise to increase pressure setting.
	SR7, ProX7 and ProX9 - Pressure is set at zero pressure.	Turn Pressure Control Knob clockwise to increase pressure setting.
	Motor or control is damaged.	Take sprayer to Graco/MAGNUM authorized service center.
	Electric outlet is not providing power.	<ul style="list-style-type: none"> Try a different outlet or plug in a compatible working appliance to test outlet. Reset building circuit breaker or replace fuse.
	Extension cord is damaged.	Replace extension cord. Read Grounding and Electric Requirements , page 5.
	Sprayer electric cord is damaged.	Check for broken insulation or wires. Replace electric cord if damaged.
	Paint and/or water is frozen or hardened in pump.	Unplug sprayer from outlet. If frozen do NOT try to start sprayer until it is completely thawed or you may damage the motor, control board and/or drivetrain. Make sure power switch is OFF. Place sprayer in a warm area for several hours. Then plug in power cord and turn sprayer ON. Slowly increase pressure setting to see if motor will start. If paint is hardened in sprayer, pump packings, valves, drivetrain or pressure switch may need to be replaced. Take sprayer to Graco/MAGNUM authorized service center.
System is already pressurized.	Turn AllControl to OFF, pause 2-3 seconds and then turn AllControl to STORAGE to relieve pressure.	
Pump does not prime.	Project Painter 5 and Project Painter 7 - AllControl not set to correct function.	Turn AllControl to PRIME/CLEAN PUMP position.
	SR7, ProX7 and ProX9 - Prime/Spray Valve is in SPRAY position.	Turn Prime/Spray Valve to PRIME position (pointing down).
	Inlet screen is clogged or suction tube is not immersed.	Clean debris off inlet screen and make sure suction tube is immersed in fluid.

Problem	Cause	Solution
Pump does not prime.	Inlet valve check ball is stuck.	Remove suction tube and place a pencil into the inlet section to dislodge the ball, allowing pump to prime properly. OR Power Flush sprayer (see Operation manual). AutoPrime may need replacement. For Project Painter 7 : plug in unit and listen for “tap” in pump. SR7 and ProX7 and 9 : turn power switch ON and listen for “tap” in pump. If you do not hear “tap”, AutoPrime is damaged. Take sprayer to Graco/MAGNUM authorized service center.
	Inlet valve check ball or seat is dirty.	Remove inlet housing. Clean or replace ball and seat.
	Outlet valve check ball is stuck.	Insert screw driver in slot and remove Easy-Access™ door, page 10, SR7 models or page 12, ProX7 and ProX9 models. Unscrew outlet valve with a 3/4 in. socket. Remove and clean assembly.
	Project Painter 5 and Project Painter 7 - In immersion mode suction tube is not immersed	Make sure suction tube is immersed in paint.
	Suction tube is leaking.	Tighten suction tube connection. Inspect for cracks or vacuum leaks.
	Pump does not prime with fluid.	Remove suction tube from paint. Prime pump with water or solvent-based flushing fluid.
	AllControl is damaged.	Take sprayer to Graco/MAGNUM authorized service center.
Pump cycles but does not build up pressure.	Pump is not primed.	Prime pump (see Operation manual).
	Inlet screen is clogged.	Clean debris off inlet screen and make sure suction tube is immersed in fluid.
	All models in Immersion Mode, suction tube is not immersed in paint.	Make sure suction tube is immersed in paint.
	Project Painter 5 - Hopper mode or all models in immersion mode, paint pail is empty.	Refill hopper or paint pail. Reprime sprayer.
	Suction tube is leaking.	Project Painter 5 (hopper mode) : Inlet tube fitting improperly or not securely attached to hopper elbow fitting. Project Painter 7, SR7, ProX 7 and 9 : Tighten suction tube connection. Inspect for cracks or vacuum leaks. If cracked or damaged, replace suction tube.
	Project Painter 5 and 7 - AllControl prime valve is worn or obstructed with debris.	Take sprayer to Graco/MAGNUM authorized service center.
	SR7, ProX7 and ProX9 - Prime/Spray Valve is worn or obstructed with debris.	
Pump check ball is stuck.	Read Pump does not prime section in Troubleshooting, page 17	

Problem	Cause	Solution
Pump cycles, but paint only dribbles or spurts when spray gun is triggered.	Pressure is set too low.	Project Painter 5 and Project Painter 7 Sprayers -Slowly turn AllControl to HI SPRAY to increase pressure setting or SR7, ProX 7 and ProX9 - Turn Pressure Control Knob clockwise to increase pressure setting which will turn on motor to build pressure.
	Spray tip is clogged.	Unclog spray tip (see Operation manual).
	SR7, ProX7 and ProX9 - InstaClean fluid filter is clogged.	Clean or replace InstaClean fluid filter (see Operation manual).
	Spray gun fluid filter is clogged.	Clean or replace gun fluid filter (see Operation manual).
	Spray tip is too large or worn.	Replace spray tip.
Pressure is set at maximum but cannot achieve a good spray pattern.	Reversible spray tip is in UNCLOG position.	Rotate arrow-shaped handle on spray tip so it points forward in SPRAY position (see Operation manual).
	Spray tip is too large for sprayer.	Select smaller spray tip.
	Spray tip is worn beyond capability of sprayer.	Replace spray tip.
	Extension cord is too long or not heavy enough gauge.	Replace extension cord. Grounding and Electrical Requirements , page 5.
	Spray gun fluid filter is clogged.	Clean or replace spray gun fluid filter (see Operation manual).
	SR7, ProX7 and ProX9 - InstaClean fluid filter is clogged.	Clean or replace InstaClean fluid filter (see Operation manual).
	Inlet screen is clogged.	Clean debris off inlet screen.
	Pump valves are worn.	Check for worn pump valves. a. Prime sprayer with paint b. Trigger gun momentarily. When trigger is released, pump should cycle momentarily and stop. If pump continues to cycle, pump valves may be worn. Take sprayer to Graco/MAGNUM authorized service center.
	Material too thick.	Thin material.
Spray gun stopped spraying.	Hose too long (if extra section is added).	Remove section of hose.
	Pump was not primed with flushing fluid.	Remove suction tube from paint. Prime pump with water or flushing solvent-based flushing fluid.
	Suction tube is leaking.	Tighten suction tube connection. Inspect for cracks or vacuum leaks.
	SR7, ProX7 and ProX9 - Prime/Spray Valve is plugged.	Clean/replace prime tube as necessary. Take sprayer to Graco/MAGNUM authorized service center if valve is plugged.
	Spray tip is clogged.	Unclog spray tip (see Operation manual).

Problem	Cause	Solution
When paint is sprayed, it runs down the wall or sags.	Coat is going on too thick.	Move gun faster.
		Choose a tip with smaller hole size.
		Choose tip with wider fan.
		Make sure gun is far enough from surface.
When paint is sprayed, coverage is inadequate.	Paint coating is going on too thin.	Move gun slower.
		Choose tip with larger hole size.
		Choose tip with narrower fan.
		Make sure gun is close enough to surface.
Fan pattern varies dramatically while spraying. OR Sprayer does not turn on promptly when resuming spraying.	SR7, ProX7 and ProX9 - Pressure control switch is worn and causing excessive pressure variation.	Take sprayer to Graco/MAGNUM authorized service center.
Cannot trigger spray gun.	Spray gun trigger lock is locked.	Rotate trigger safety lever to unlock trigger lock, page 14.
Paint is coming out of pressure control switch.	SR7, ProX7 and ProX9 - Pressure control switch is worn.	Take sprayer to Graco/MAGNUM authorized service center.
Prime/Spray valve actuates automatically relieving pressure through prime tube.	System is over pressurizing.	Take sprayer to Graco/MAGNUM authorized service center.
Paint leaks down outside of pump.	Pump packings are worn.	Replace pump packings.
Motor is hot and runs intermittently. Motor automatically shuts off due to excessive heat. Damage can occur if cause is not corrected. Thermal Overload , page 5.	Vent holes in enclosure are plugged or sprayer is covered.	Keep vent holes clear of obstructions and overspray and keep sprayer open to air.
	Extension cord is too long or not a heavy enough gauge.	Replace extension cord. Read Grounding and Electrical Requirements , page 5.
	Unregulated electrical generator being used has excessive voltage.	Use electrical generator with a proper voltage regulator. Sprayer requires 120VAC, 60 Hz, 1500-Watt generator.
	Sprayer was operated at high pressure with very small tip which causes frequent motor starts and excessive heat build up.	Decrease pressure setting or increase tip size.
Building circuit breaker opens after sprayer operates for 5 to 10 minutes.	Too many appliances are plugged in on same circuit.	Free up circuit (unplug things), or use a less busy circuit.
	Sprayer electrical cord is damaged.	Check broken insulation or wires. Replace electrical cord if damaged.
	Extension cord is damaged or too long or not a heavy enough gauge.	<ul style="list-style-type: none"> • Plug in something that you know is working to test extension cord. • Replace extension cord.
Prox7 and ProX9 - Fold 'n Store handle does not actuate	Dirty or dried paint	Clean handle parts.

Advanced Troubleshooting



See Basic Troubleshooting first, page 17 for problems that are more easily remedied.

General Problem: Motor Does Not Operate

Specific Problem	Cause	Solution
Power switch is on and sprayer is plugged in; pump does not cycle.	See Basic Troubleshooting , page 17.	
Basic mechanical problems.	Paint is frozen or hardened in pump.	<p>Unplug sprayer from electrical outlet.</p> <p>If paint is frozen in sprayer:</p> <p>Do NOT try to start sprayer until completely thawed or you may damage the motor, control board, and/or drivetrain.</p> <ol style="list-style-type: none"> Project Painter 5 and Project Painter 7 - Turn All-Control to OFF or STORAGE. SR7, ProX7 or ProX9 - Turn OFF power switch. Place sprayer in warm area for several hours. Plug sprayer in. Project Painter 5 and Project Painter 7 - Turn AllControl to Prime/Clean Pump <p>SR7, ProX7 and ProX9 -</p> <ol style="list-style-type: none"> Turn on sprayer. Turn prime valve to PRIME position. <p>If paint hardened in sprayer:</p> <p>Replace pump packings.</p> <p>Remove all residue from valves.</p> <p>Pump Service, page 31.</p>
	Motor is damaged.	Remove gear and try to rotate motor shaft by hand. See Motor Diagnostics , page 30. If shaft will not turn, replace motor using Motor Kit , page 28.
	SR7, ProX7 and ProX9 - Yoke is broken because pump is locked up due to dried paint or worn packings	<p>Repair or replace using Gear/Yoke Kit, page 28.</p> <p>Repair pump. See Pump Service, page 31.</p>

Specific Problem	Cause	Solution
Basic electrical problems.	Motor overheated.	Allow motor to cool for 45 minutes. Retry.
	Electrical outlet is damaged.	Reset building circuit breaker or replace fuse. Try another outlet. Check electric supply with volt meter. Meter must read 85 to 130V AC. If voltage is too high, do not plug sprayer in until outlet is corrected.
	Control board leads are improperly fastened or improperly mated.	Replace any loose terminals. Make sure all leads and harnesses are firmly connected. Check pressure control harness connection on front side of drive housing. Clean control board terminals. Securely reconnect leads.
	Motor brushes are worn.	Check length of BOTH brushes (brushes do not wear evenly on both sides of the motor). Brush length must be 0.25 in. (6.4mm). If brushes are worn replace motor using Motor Kit , page 28.
	Motor armature commutator damaged.	Check for burn spots, gouges and extreme roughness. Have motor shop resurface commutator if possible, or replace motor using Motor Kit , page 28.
	Fuse is blown.	Replace fuse using Fuse Kit , page 28.
	Motor armature shorting.	Check for shorts using armature tester (growler) or perform spin test, Motor Diagnostic , page 30. If shorts are evident, replace motor using Motor Kit , page 28.
	Control board damaged. CAUTION: Do not perform control board diagnostics until you have determined the armature is good. A damaged armature can burn out a good control board.	See Control Board Diagnostics , page 31. Replace control board if damaged using Control Board Kit , page 28.

Specific Problem	Cause	Solution
<p>Sprayer Wiring Problems</p> <p>NOTE: Remove enclosure mounting screws and pull enclosure away from drive housing. Take care not to pull on leads from electrical cord and power switch.</p>	<p>Sprayer electrical cord damaged.</p>	<p>Unplug sprayer electrical cord.</p> <p>Disconnect black electrical cord wire at power switch.</p> <p>Unplug in-line connection white cord wire.</p> <p>Plug in electrical cord.</p> <p>Test voltage between black and white wires. Meter must read 85 to 130V AC.</p> <p>Replace electrical cord if no voltage.</p>
	<p>SR7, ProX7 and ProX9 - Sprayer power switch damaged.</p>	<ol style="list-style-type: none"> 1. Unplug sprayer electrical cord. 2. Disconnect black control board wire at power switch. 3. Unplug in-line connection white cord wire. 4. Plug in electrical cord. 5. Turn power switch ON. 6. Test voltage between open terminal of power switch and white electrical cord wire. Meter must read 85 to 130V AC. 7. Replace power switch if no voltage.
	<p>Motor thermal overload cutoff switch damaged.</p> <p>Startup Hazard After Thermal Overload, page 5.</p>	<ol style="list-style-type: none"> 1. Unplug sprayer electrical cord. 2. Remove motor harness from control card. 3. Check for continuity between yellow leads or motor harness. 4. If thermal relief switch is open (no continuity) allow motor to cool. 5. If switch remains open after motor cools, replace motor using Motor Kit, page 28. 6. If thermal relief switch closes after motor cools, find correct cause of overheating.
	<p>Terminals are damaged or loose.</p>	<p>Replace any damaged terminals. Make sure all terminal connections are tight.</p>

General Problem: Circuit Breaker is Tripping

Specific Problem	Cause	Solution
Building circuit breaker opens as soon as sprayer is turned on.	Sprayer electrical wiring is pinched or insulation is damaged.	Repair or replace any damaged wiring or terminals. Securely reconnect wires.
	Wires between pressure control switch and control board are pinched.	
	Motor armature is shorting.	Check for shorts using armature tester (growler) or perform spin test, Motor Diagnostics , page 30. If shorts are evident, replace motor using Motor Kit , page 28.
	Control board is damaged. CAUTION: Do not perform control board diagnostics until you have determined the armature is good. A bad motor armature can burn out a good motor control board.	See Control Board Diagnostics , page 31. Replace control board if damaged using Control Board Kit , page 28.
Building circuit breaker opens as soon as sprayer is plugged into outlet and sprayer is NOT turned on. NOTE: Remove enclosure mounting screws and pull enclosure away from drive housing. Take care not to pull on leads from electrical cord and power switch.	Sprayer electrical cord is damaged.	<ol style="list-style-type: none"> 1. Unplug sprayer electrical cord. 2. Disconnect black electrical cord wire at power switch. 3. Unplug in-line connection white cord wire. 4. Plug in electrical cord. 5. Test voltage between black and white wires. Meter must read 85 to 130V AC. 6. Replace electrical cord if no voltage.
	SR7, ProX7 and ProX9 - Sprayer power switch damaged.	<ol style="list-style-type: none"> 1. Unplug sprayer electrical cord. 2. Disconnect black control board wire at power switch. 3. Check resistance of switch with ohmmeter. 4. Reading must be infinity with power switch OFF. 5. Reading must be zero with power switch ON. 6. Replace power switch if damaged.
	Also see <i>Basic Electrical Problems</i> , and <i>Sprayer Wiring Problems</i> , page 22.	

General Problem: Erratic Motor Operation

Specific Problem	Cause	Solution
Sprayer quits after running for 5 to 10 minutes	Electrical outlet is damaged	Reset building circuit breaker or replace building fuse.
	Electrical outlet supplying wrong voltage	Try another outlet. Check electric supply with volt meter. Meter must read 85 to 130V AC. If voltage is too high, do not use outlet until corrected.
	Also see <i>Basic Electrical Problems</i> and <i>Sprayer Wiring Problems</i> , page 22.	
	Motor is overheating	See Motor is hot and runs intermittently in Basic Troubleshooting, page 20.
Motor is hot and runs intermittently.	See Motor is hot and runs intermittently in Basic Troubleshooting, page 20.	

General Problem: Low or Fluctuating Output

Specific Problem	Cause	Solution
Pump cycles, but output is low or surging.	See Basic Troubleshooting , page 17.	
	Worn or obstructed pump valves.	Check for worn pump valves as follows: Prime sprayer with paint. Trigger spray gun momentarily. When spray gun trigger is released pump should cycle momentarily and stop. If pump continues to cycle, pump valves may be worn or obstructed. Pump Service , page 31.
	SR7, ProX7 and ProX9 - Prime/Spray valve is leaking.	Check Prime/Spray valve for debris trapped on seat and for worn parts. Torque to 130-180 in-lb (15.8-18.1 N•m). Replace if parts are worn using AllControl Prime/Spray Valve Kit , page 28.
	Voltage from electrical outlet is too low. Low voltages reduce sprayer performance.	Check voltage of outlet. Meter must read 85 to 130V AC. Reset building circuit breaker or replace building fuse. Repair electrical outlet or try another outlet.
	Extension cord is too long or not heavy enough gauge.	Replace extension cord. Grounding and Electrical Requirements , page 5.
	Leads from motor or pressure switch to control board are damaged, loose, pinched, or overheated.	Be sure terminals are centered and firmly connected. Inspect for pinched wiring and wiring insulation and terminals for signs of overheating. Replace any loose terminals or damaged wiring. Securely reconnect terminals.
	Motor brushes are worn.	Check length of BOTH brushes (brushes do not wear evenly on both sides of the motor). Brush length must be 0.25 in. (6.4mm). If brushes are worn replace motor using Motor Kit , page 28.
	Motor brush springs are broken.	If springs are broken replace motor using Motor Kit , page 28.
	Motor brushes are binding in brush holders.	Clean brush holders. Remove carbon dust with small cleaning brush.
	Motor stops before sprayer reaches correct pressure (stall pressure is too low).	Replace pressure control using Pressure Control Switch Kit , page 28.
Motor armature shorted.	Check for shorts using armature tester (growler) or perform spin test, Motor Diagnostics , page 30. If shorts are evident, replace motor using Motor Kit , page 28.	

Specific Problem	Cause	Solution
	Control board is damaged. CAUTION: Do not perform control board diagnostics until you have determined the armature is good. A damaged armature can burn out a good control board.	See Control Board Diagnostics , page 31. If damaged replace control board using Control Board Kit , page 28.
Motor runs and pump cycles, but pressure does not build up.	Intake valve ball or outlet valve ball is not seating properly.	Remove and clean valves and check balls and seats for nicks; replace if necessary. Strain paint before spraying to remove particles that could clog pump. Pump Service , page 31.
	Pump packings are worn or damaged.	Check for leaking around throat packing nut. Replace pump packings if there are leaks. Pump Service , page 31.
	Project Painter 5 and Project Painter 7 - AllControl leaking.	Check Drain Valve for debris trapped on seat and for worn parts. Torque to 130-180 in-lb (14.6-20.3 N•m). If parts are worn, replace using Drain Valve Kit , page 28.
	SR7, ProX7 and ProX9 - Prime/Spray Valve leaking.	Check Prime/Spray Valve for debris trapped on seat and for worn parts. Torque to 130-180 in-lb (14.6-20.3 N•m). If parts are worn, replace valve using Prime/Spray Valve Kit , page 28.
Spray pattern has variations, pressure fluctuates excessively, or motor runs very slowly.	All models - leads from motor or SR7, ProX7 and ProX9 - Pressure switch to control board is damaged, loose or overheated	Be sure terminals are centered and firmly connected. Inspect wiring insulation and terminals for signs of overheating. Replace any loose terminals or damaged wiring. Securely reconnect terminals.
	SR7, ProX7 and ProX9 - Pressure switch leads are pinched between pump and drive housing or between front cover and drive housing.	Make sure pressure control harness is routed behind pump, through retention clip and connected to control board connector on control board (connect with tab to right).
	Control board is damaged. CAUTION: Do not perform control board diagnostics until you have determined the armature is good. A bad armature can burn out a good control board.	See Control Board Diagnostics , page 31. If damaged, replace control board using Control Board Kit , page 28.
	Project Painter 5 and Project Painter 7 - AllControl is damaged or worn out.	Check AllControl for debris trapped on seat and for worn parts. Torque to 140-160 in-lb (15.8-18.1 N•m). If parts are worn, replace AllControl using AllControl Kit , page 28.
	SR7, ProX7 and ProX9 - Pressure control switch is damaged or worn out.	Replace pressure control switch using Pressure Control Switch Kit , page 28.

General Problem: No Output

Specific Problem	Cause	Solution
Project Painter 5 and Project Painter 7 - AllControl is ON or SR7, ProX7 and ProX9 - Power switch is on and sprayer is plugged in but pump does not cycle	See Basic Troubleshooting , page 17.	
Motor runs but pump does not cycle.	Gear and/or yoke are damaged	Replace gear and yoke using Gear/Yoke Repair Kit , page 28.
Motor does not run.	Water or paint entered pressure control switch or shorted control board.	Clean out and/or dry out and retry. Replace if necessary using Pressure Control Switch Kit , page 28.

General Problem: Excessive Pressure Build Up

Specific Problem	Cause	Solution
SR7, ProX7 and ProX 9 - Prime/Spray Valve actuates automatically, relieving pressure through drain tube.	Pressure control switch is worn.	Replace pressure control switch using Pressure Control Switch Kit , page 28.
	Water or paint entered pressure control switch or shorted control board.	Clean out and/or dry out and retry. Replace if necessary using Pressure Control Switch Kit , page 28.
	Control board failed.	See Control Board Diagnostics , page 31. Replace damaged control board using Control Board Kit , page 28.

List of Kits

Kit Number	Models	Kit Description
289210	Project Painter 5	AllControl
288711	Project Painter 7	AllControl
289107	Project Painter 7, SR7, ProX7 and ProX9	AutoPrime
288707	Project Painter 5	Control Board
288706	Project Painter 7	Control Board
288705	SR7 and ProX7	Control Board
288900	ProX9	Control Board
244035	All	Drain Tube Diffuser
288712	Project Painter 5 and Project Painter 7	Drain Valve
289122	Project Painter 5	Elbow
287772	SR7	Enclosure (Includes Both Sides, Labels and Screws)
288697	Project Painter 7	Enclosure (Includes Labels and Screws)
288695	ProX7 and ProX9	Enclosure (Includes Labels and Screws)
287770	SR7, ProX7 and ProX9	Fan Replacement
288747	SR7, ProX7 and ProX9	Filter Kit
288694	Project Painter 5	Front Cover
288693	Project Painter 7	Front Cover
288692	ProX7 and ProX9	Front Cover
287708	SR7	Front Cover
119276	SR7 and ProX7	Fuse, 12.5 Amp
119277	ProX 9	Fuse, 16 Amp
289209	Project Painter 5	Gear and Rod
245149	Project Painter 7	Gear and Rod
289102	SR7, ProX7 and ProX9	Gear and Yoke
289119	Project Painter 7 and SR7	Handle Cam
289123	Project Painter 5	Hopper Cover
288730	Project Painter 5	Hopper Liner
288716	Project Painter 5	Inlet Strainer
243082	Project Painter 7, SR7, ProX7 and ProX9	Inlet Strainer
289103	SR7	Motor (includes drive housing)
245080	Project Painter 5 and Project Painter 7	Motor
289104	ProX7 and ProX9	Motor (includes drive housing)
244267	SR7, ProX7 and ProX9	Pressure Control Switch
235014	SR7, ProX7 and ProX9	Prime/Spray Valve
289116	Project Painter 5	Pump Inlet Module
288701	Project Painter 7 and SR7	Pump Inlet Module
288700	ProX7	Pump Inlet Module
288699	ProX9	Pump Inlet Module

List of Kits

Kit Number	Models	Kit Description
289120	Project Painter 5 and Project Painter 7	Pump Outlet Valve
243094	SR7, ProX7 and ProX9	Pump Outlet Valve
288818	SR7, ProX7 and ProX9	Pump Packing Repair
289121	Project Painter 5	Pump Repair (complete)
288698	Project Painter 7	Pump Repair (complete)
288704	SR7	Pump Repair (complete)
288703	ProX7	Pump Repair (complete)
288702	ProX9	Pump Repair (complete)
289129	Project Painter 5, Project Painter 7 and SR7	Roller Core
289126	Project Painter 5, Project Painter 7 and SR7	Roller Frame
289124	Project Painter 7 and SR7	Spray Shield
289125	ProX7 and ProX9	Spray Shield
15K214	Project Painter 5	Suction Tube
15K449	Project Painter 7	Suction Tube
15D671	SR7	Suction Tube
15K617	ProX 7 and ProX9	Suction Tube
288710	Project Painter 7 and SR7	Tool Box
288709	ProX7 and ProX9	Tool Box

Motor Diagnostics



Check for electrical continuity in motor armature, windings and brush as follows:

If Motor Diagnostics reveal a damaged motor or if motor brushes are shorter than 1/4 in. (6.4 mm) or if the motor shaft cannot turn, replace the motor using **Motor Kit**, page 28.

Setup

1. **Relieve pressure**, page 14.
2. Unplug electric cord.
3. Remove enclosure and disconnect motor leads from control card.
4. Remove fan brace (if equipped).
5. Remove four screws and front cover.
6. Remove yoke and guide rods.
7. Remove gear.

Armature Short Circuit Spin Test

Quickly turn motor fan by hand. There should not be electrical shorts and fan should coast two or three revolutions before stopping. If fan does not spin freely, armature is shorted. Replace motor using **Motor Kit**, page 28.

Armature, Brushes and Motor Wiring Open Circuit Test

1. Connect red and black motor leads together with test lead.
2. Turn motor fan by hand, about two revolutions per second.
3. If there is an uneven resistance or no resistance, replace motor using **Motor Kit**, page 28.

Control Board Diagnostics



Check for motor problems before replacing control board. A damaged motor may burn out a good control card.

Check for a damaged control board or pressure control switch as follows:



1. **Relieve pressure**, page 14.
2. Unplug electrical cord.
3. Remove cover screws and front cover.
4. Project Painter 5 and Project Painter 7, go to step 6. SR7, Prox7 and Prox9: Remove yoke and guide rods.
5. Remove gear.
6. Remove pressure control harness from control board. Using tip of small, flat blade screwdriver, press tab on right side connector to release.

7. Attach harness from a pressure control switch you know is functioning correctly to control board.



Pressure control switch does not have to be installed in pump.

8. Turn pressure control adjustment knob clockwise to maximum pressure setting.
9. Plug electrical cord into 120VAC receptacle.
10. Turn power switch ON.
 - If motor runs, replace pressure switch. **Pressure Control Switch Kit**, page 28.
 - If motor does not run, replace control board repeat test. **Control Board Kit**, page 28.

Pump Diagnostics

CAUTION
When repairing or cleaning the pump, never submerge pump in water or allow fluid to enter pressure control.

When pump packings wear, paint begins to leak down outside of pump. Replace pump packings at the first sign of leaking or additional damage to drive train could occur. Use **Pump Repair Kit**, page 30.

Pump Service

CAUTION
When repairing or cleaning pump, never submerge pump in water or allow fluid to enter pressure control.

If sprayer continues to cycle (motor and pump run) when the spray gun trigger is released, or if performance is poor even with new spray tips and clean filters, the pump inlet or outlet valve may be obstructed or worn. If a pump is worn, replace it. **List of Kits**, beginning on page 28.

Parts

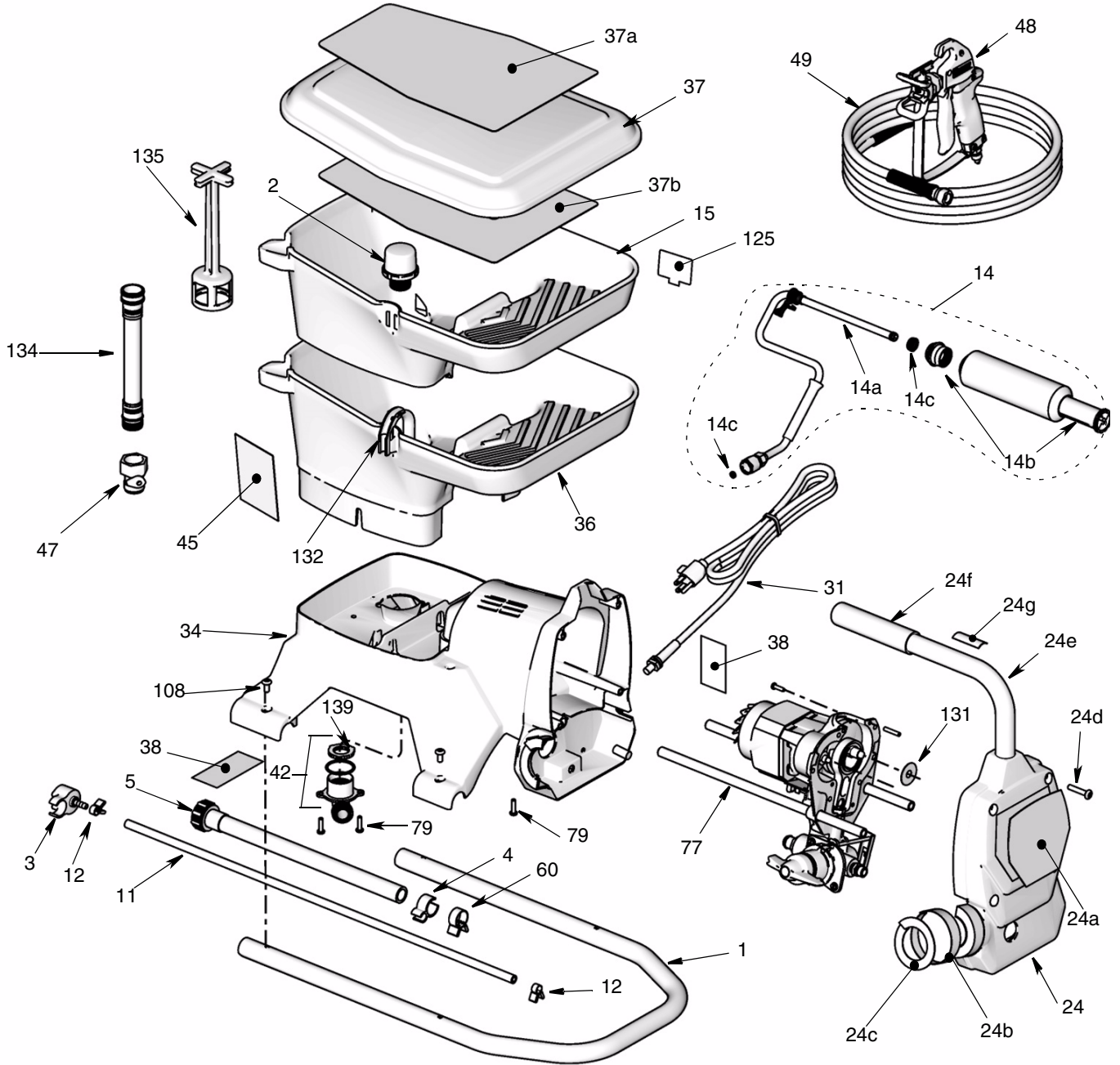
Project Painter 5, Model 261800

Ref	Part	Description	Qty	Ref	Part	Description	Qty
					15K548	QUICK GUIDE, Spanish	1
1	15J960	FRAME	1	37b▲	15K818	LABEL, cover, English	1
2	288716	KIT, Strainer	1		15K819	LABEL, cover, Spanish	1
3	244035	DEFLECTOR	1	38		SERIAL LABEL	2
4	195400	SPRING CLIP	1	42	289122	KIT, Elbow, includes 139	1
5	15K214	SUCTION TUBE	1	45▲	15K475	LABEL, warning	1
6	289116	KIT, Inlet Valve	1	46	244168	PUMP ARMOR, 8 oz (not shown)	1
11	15K215	DRAIN TUBE	1	47	115648	POWERSFLUSH VALVE	1
12	115489	DRAIN TUBE CLAMP	2	48	255107	SPRAY GUN, SG10	1
14	255105	KIT, Roller, includes 14a, 14b, 14c	1	49	247339	HOSE, cpld, 1/4 in. X 25	1
14a	289126	KIT, Roller frame	1	56	179960	SIGN, warning (not shown)	1
14b	289129	Kit, Roller core	1	59	338506	OPERATION DVD (not shown)	1
14c	289130	Kit, Roller seal	1	60	116295	TUBE CLAMP	1
15	288730	LINER	1	67	198547	HANG TAG, instructional (not shown)	1
16	288712	KIT, Drain Valve	1	70	15C295	LOOSE LEAF RING, (not shown)	1
18	289120	KIT, Outlet Valve	1	77	15J967	TUBE, 1/2 in. O.D. Bayonet	2
23	289121	KIT, Pump, includes 25	1	79	111630	SCREW, mach, pnh	3
24	288694	KIT, Cover, includes 24a, 24b, 24c, 24d	1	103	15K024	BRACKET	1
24a▲	15K489	LABEL	1	108	117630	SCREW, torx, tri lob	4
24b▲	15K450	LABEL	1	111	15K132	COTTER PIN	1
24c▲	15K451	LABEL, control	1	116	15K220	ACTUATOR	2
24d	120724	SCREW, tapping, torx, pan head	4	117	289210	KIT, AllControl	1
24e		HANDLE		118	15K630	PRACTICE SPRAY BOARD, page 6	1
24f	15J879	GRIP		124▲	15K502	LABEL (not shown)	1
24g▲	15K502	LABEL		125▲	195810	LABEL, instruction	1
25	289209	KIT, Gear, w/connecting rod	1	128	15K732	VENT FILTER	1
29	245080	KIT, Motor	1	131	116073	THRUST WASHER	1
30	288707	KIT, Control Board, includes 30a	1	132	15K777	HOSE GUIDE	1
30a	115477	SCREW, mach, torx, pan hd	2	134	15K829	TUBE EXTENSION	1
31	15K316	POWER CORD	1	135	15K898	STRAINER CROSS-HANDLE	1
32	115498	SCREW, mach, grounding	1	139	115099	GARDEN HOSE WASHER	1
34	15J957	BASE	1				
35	115477	SCREW, mach, torx pan hd	6				
36	15J958	HOPPER	1				
37	289123	KIT, Cover, includes 37a, 37b	1				
37a▲	15K545	QUICK GUIDE, English	1				

▲ Replacement Danger and Warning labels, tags, and cards are available at no cost.

Parts

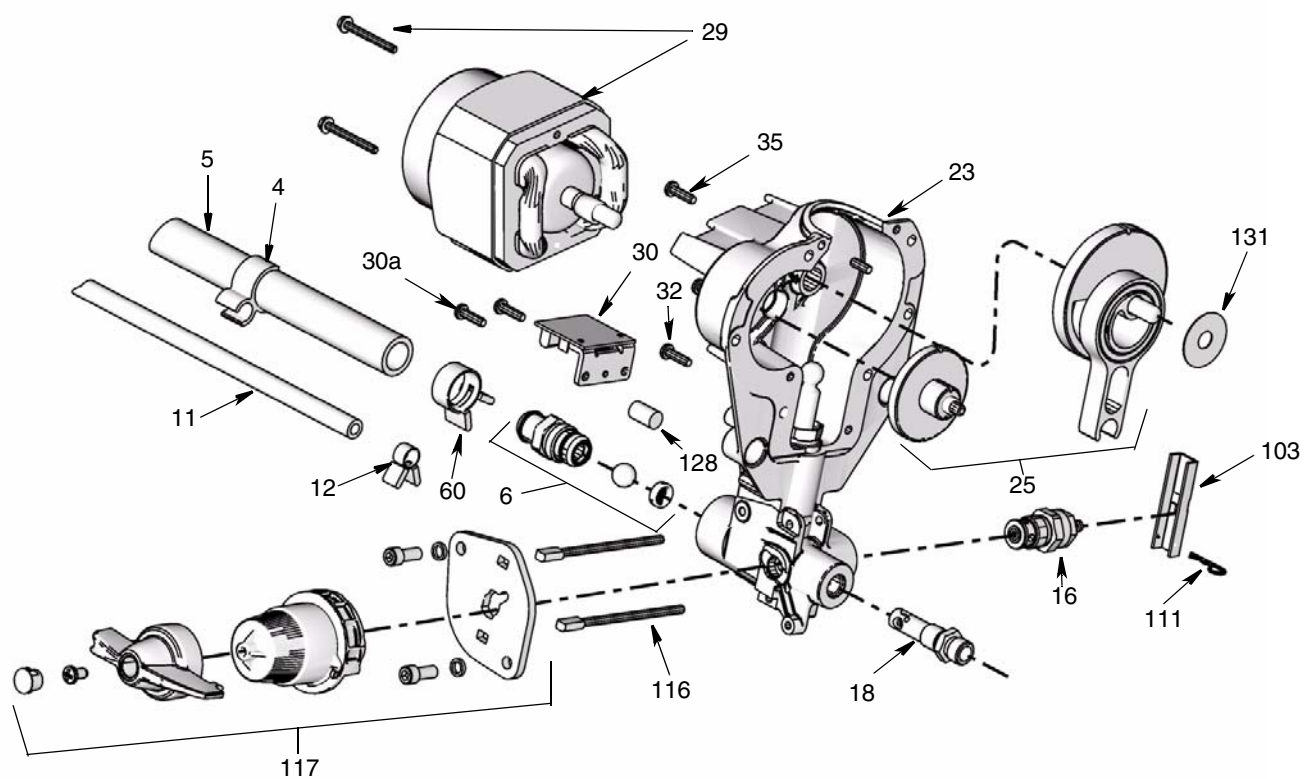
Project Painter 5, 261800



ti9198a

Parts

Project Painter 5, 261800



ti9231a

Parts

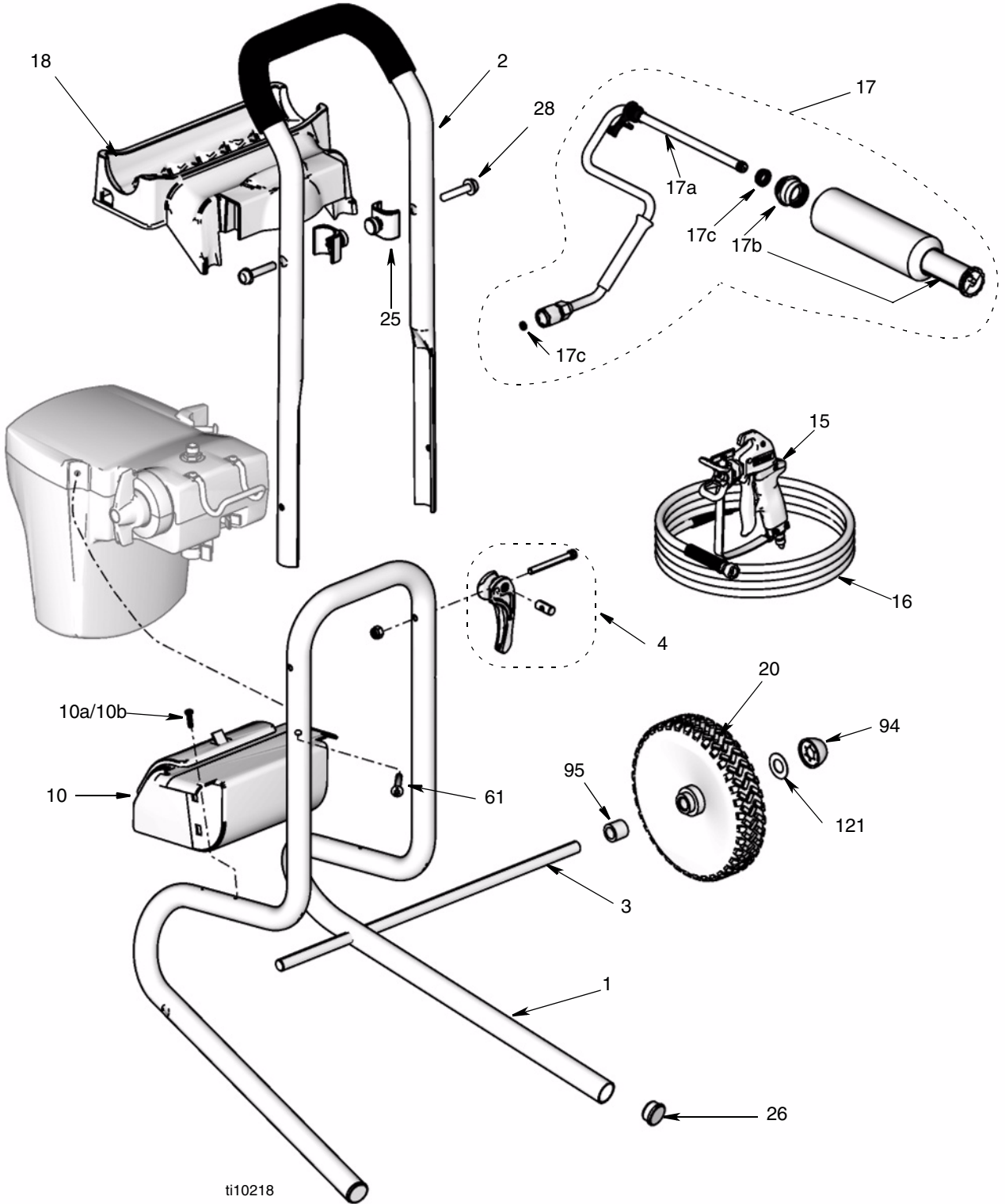
Project Painter 7, Model 261805

Ref	Part	Description	Qty	Ref	Part	Description	Qty
				30	289120	KIT, Outlet Fitting	1
1	15J648	FRAME	1	35	243082	KIT, Strainer	1
2	15J649	CART HANDLE	1	36	244035	DEFLECTOR	1
3	15J720	AXLE	1	37	195400	SPRING CLIP	1
4	289119	KIT, Quick Release Handle	2	38	15K449	KIT, Suction Tube, includes 39	1
8	288697	KIT, Enclosure, includes 8a, 8b, 8c, 8d	1	39	115099	WASHER	1
8a▲	15K450	LABEL	1	42	195108	DRAIN TUBE	1
8b▲	15K451	LABEL, control	1	43	115489	DRAIN TUBE CLAMP	2
8c▲	15G179	LABEL, warning, fire & shock	1	45	288712	KIT, Drain Valve	1
8d▲	15G180	LABEL, warning, skin injection	2	46	15K024	BRACKET	1
9	288693	KIT, Cover, includes 9a, 9b	1	48	288701	KIT, Inlet Housing Assy	1
9a▲	15K491	LABEL	1	53	245149	KIT, Gear, w/connecting rod	1
9b▲	15K490	LABEL	1	57	245080	KIT, Motor	1
10	288710	KIT, Tool Box, includes 10a, 10b	1	58	115498	GROUNDING SCREW	1
10a	198904	SCREW, Plastite #8	4	60	115477	SCREW, mach, torx pan hd	10
10b	120833	WASHER, plain, #8	4	61	115478	SCREW, mach, torx/slt pan hd	2
11	15K026	PAIL HOOK	1	64		SERIAL LABEL	1
12	288698	KIT, Pump, includes 53	1	68	244168	PUMP ARMOR, 8 oz (not shown)	1
13	288711	KIT, AllControl	1	69	115648	POWERFLUSH VALVE (not shown)	1
14	289107	KIT, Solenoid	1	74	116295	TUBE CLAMP	1
15	255107	SPRAY GUN, SG10	1	77▲	195810	LABEL, instruction	1
16	277445	HOSE, clpd, 1/4 in. X 35 ft	1	79	198547	HANG TAG, instructional (not shown)	1
17	255105	KIT, Roller, includes 17a, 17b, 17c	1	82	15C295	LOOSE LEAF RING, (not shown)	1
17a	289126	KIT, Roller Frame	1	94	112612	HUB CAP	2
17b	289129	KIT, Roller Core	1	95	195367	SPACER	2
17c	289130	KIT, Roller Seal	1	100	15C292	TAG, accessory (not shown)	1
18	15J686	ROLLER TRAY	1	101	15D781	TAG, instructions (not shown)	1
19	15K140	POWER CORD, lighted	1	102	15D782	TAG, instructions (not shown)	1
20	120654	WHEEL, 7 in.	2	103▲	179960	SIGN, warning (not shown)	
21	289124	KIT, Spray Shield Tray, page 8	1	107	15K549	QUICK GUIDE, English (not shown)	1
21a▲	15K639	LABEL, spray shield instructions	1		15K550	QUICK GUIDE, Spanish (not shown)	1
21b▲	15G180	LABEL, warning, skin injection	1	109	338506	OPERATION DVD (not shown)	1
22	288706	KIT, Control Board	1	118	15K630	PRACTIC SPRAY BOARD, page 8	1
22a	117501	SCREW, mach, slot hex wash hd (not shown)	2	119	15K744	PUMP DRAIN FOAM	1
25	15K223	ROLLER TRAY HANGER	2	120	15K706	FOAM	1
26	105521	TUBING PLUG	2	121	109570	WASHER, plain	2
27	15K132	COTTER PIN	1				
28	15C753	SCREW, mach, hex wash hd	2				
29	15K220	ACTUATOR	2				

▲ Replacement Danger and Warning labels, tags, and cards are available at no cost.

Parts

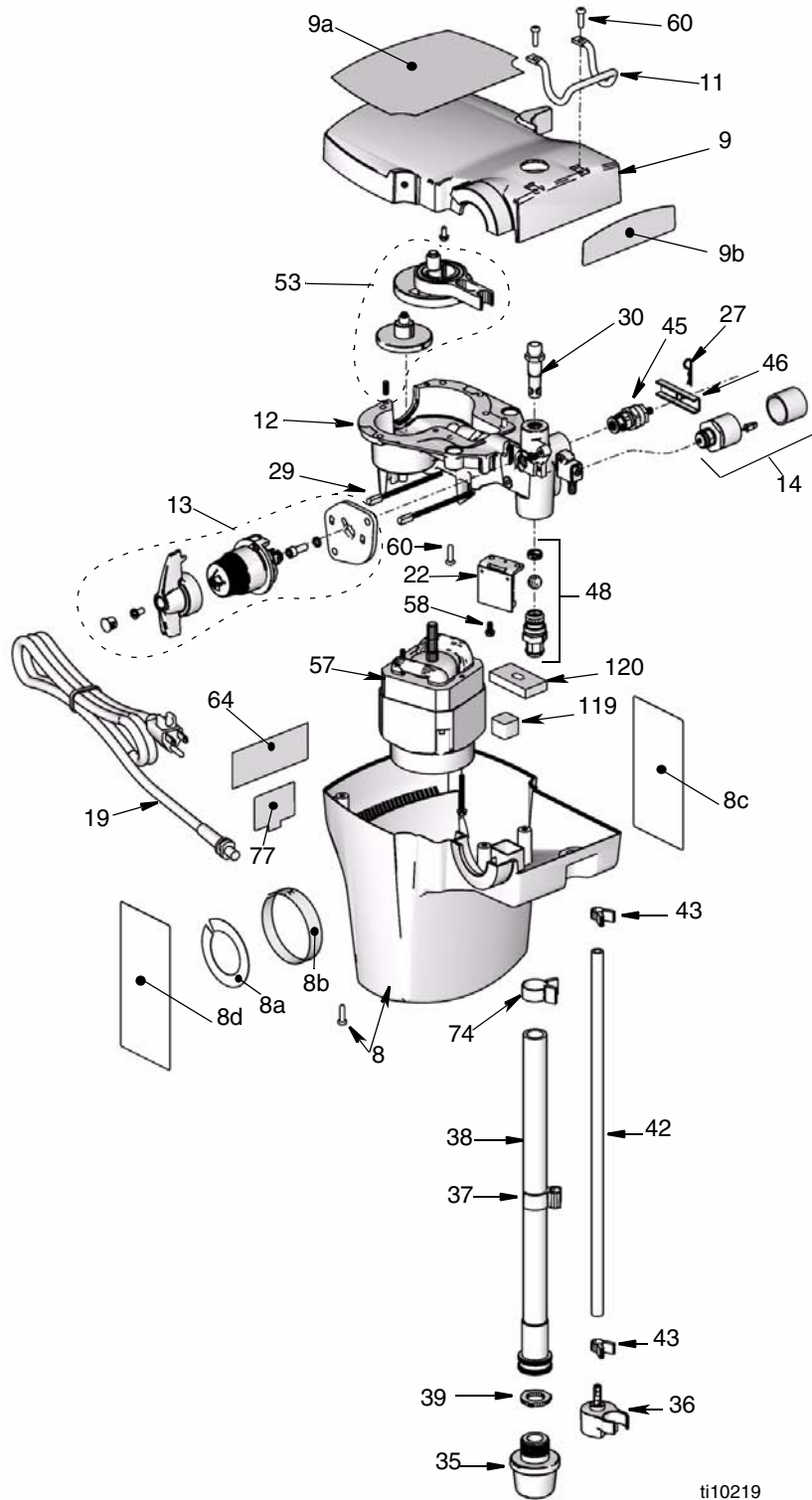
Project Painter 7, 261805



ti10218

Parts

Project Painter 7, 261805



ti10219

Parts

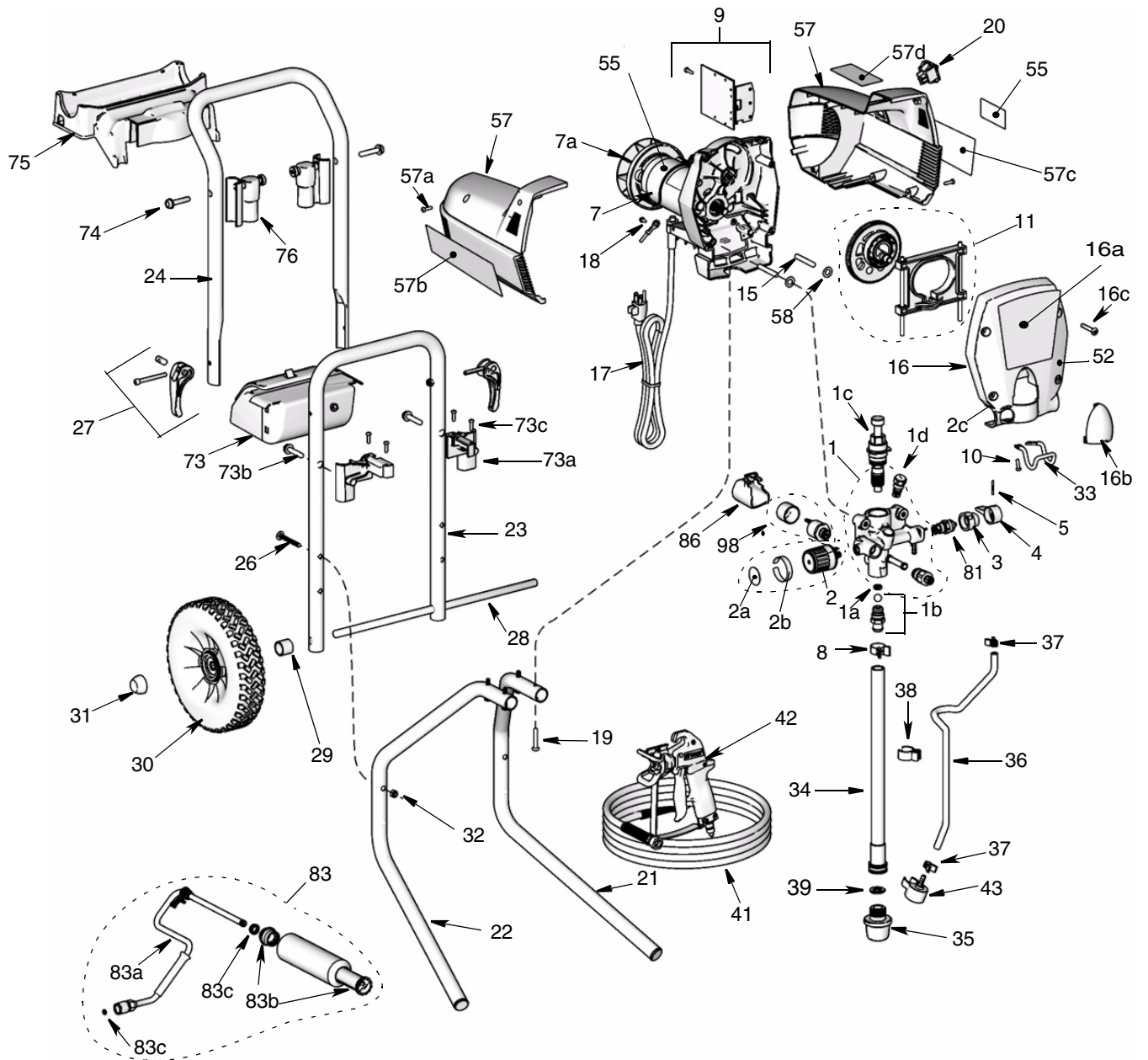
SR7 Sprayer, Model 261810

Ref	Part	Description	Qty	Ref	Part	Description	Qty
1	288704	KIT, Pump, complete, includes 1a,1b, 1c, 1d, 3, 4, 5, 81	1	36	195108	DRAIN TUBE	1
1a	288747	KIT, filter	1	37	115489	DRAIN TUBE CLAMP	2
1b	288701	KIT, pump inlet	1	38	195400	SPRING CLIP	1
1c	288818	KIT, packing repair	1	39	115099	WASHER	1
1d	243094	KIT, pump outlet	1	41	277445	HOSE, clpd, 1/4 in. X 35 ft	1
2	244267	KIT, Pressure Control, includes 2a, 2b, 2c	1	42	255107	SPRAY GUN, SG10	1
2a▲	15A464	LABEL, control	1	43	244035	DEFLECTOR	1
2b▲	15K530	LABEL	1	50	179960	SIGN, warning (not shown)	1
2c▲	197233	LABEL, instruction	1	52▲	195811	LABEL, instruction	1
3	224807	VALVE BASE	1	54	115648	POWERFLUSH VALVE, (not shown)	1
4	187625	VALVE DRAIN HANDLE	1	55		SERIAL LABEL	2
5	111600	PIN, grooved	1	57	287772	KIT, Enclosure, includes 57a, 57b, 57c, 57d	1
6	119275	WIRE CLIP (not shown)	2	57a	115477	SCREW, 8-16 x 5/8 plastite	8
7	287773	KIT, Motor, includes 7a	1	57b▲	15G187	LABEL, warning skin inject right side	1
7a	287770	KIT, Fan	1	57c▲	15G188	LABEL, warning fire & expl left side	1
8	116295	TUBE CLAMP	1	57d▲	15E072	LABEL, identification	1
9	288705	KIT, Control Board	1	58	196001	WASHER	2
10	115477	SCREW, mach, torx pan hd, 8-16 x 5/8 plastite	2	61	15C295	LOOSE LEAF RING, (not shown)	1
11	289102	KIT, Gear And Yoke	1	63	244168	FLUID, Pump Armor, 8 Oz (not shown)	1
15	194507	DOWEL PIN, 5/16	2	66▲	198547	HANG TAG, instructional (not shown)	1
16	288708	KIT, Drive Cover, includes 16a, 16b, 16c	1	73	288710	KIT, Tool Box, includes 73a, 73b, 73c	1
16a▲	15K494	LABEL, front	1	73a	15K226	TOOL BOX ADAPTER	1
16b	197211	PUMP OUTLET COVER	1	73b	15C753	SCREW, 5/16-18 x 1-1/4 taptite	2
16c	115478	SCREW, mach, torx/slt pan hd, 1/4-20 x 1-3/8 in.	4	73c	198904	SCREW, plastite #8	4
17	15K153	POWER CORD, lighted	1	74	15C753	SCREW, 5/16-18 x 1-1/4 taptite	2
18	115498	SCREW, ground 8-32 x.375 in. taptite	1	75	15J686	ROLLER TRAY	1
19	115478	SCREW, mach, torx, 1/4-20 x 1-3/8	4	76	15J816	ROLLER TRAY ADAPTER	2
20	118899	ROCKER SWITCH	1	78	289124	KIT, Spray Shield Tray, page 10, includes 78a,78b	1
21	15J726	LEG, right	1	78a▲	15K639	LABEL, spray shield instructions	1
22	15J728	LEG, left,	1	78b▲	15G180	LABEL, warning, skin injection	1
23	15J724	CART FRAME	1	81	235014	KIT, Drain Valve	1
24	15J727	CART HANDLE	1	83	255105	KIT, Roller, includes 83a, 83b, 83c	1
26	116630	SCREW, carriage, 1/4-20 x 2-1/4 in.	4	83a	289126	KIT, Roller Frame	1
27	289119	KIT, Lever, Handle, cam	2	83b	289129	KIT, Roller Core	1
28	15J725	AXLE	1	83c	289130	KIT, Roller Seal	1
29	195367	SPACER	2	86	15J874	SOLENOID COVER	1
30	115095	WHEEL, 9-inch	2	92▲	15K551	QUICK GUIDE, English (not shown)	1
31	112612	HUB CAP	2		15K552	QUICK GUIDE, Spanish (not shown)	1
32	102040	NUT, lock, hex, 1/4 - 20	6	98	289107	KIT, Solenoid	1
33	15D658	PAIL HOOK	1	99	15K630	PRACTICE SPRAY BOARD, page 10	1
34	15D671	KIT, Suction Tube, includes 39	1				
35	243082	KIT, Strainer	1				

▲ Replacement Danger and Warning labels, tags, and cards are available at no cost.

Parts

SR7 Sprayer, Model 261810



ti9196a

Parts

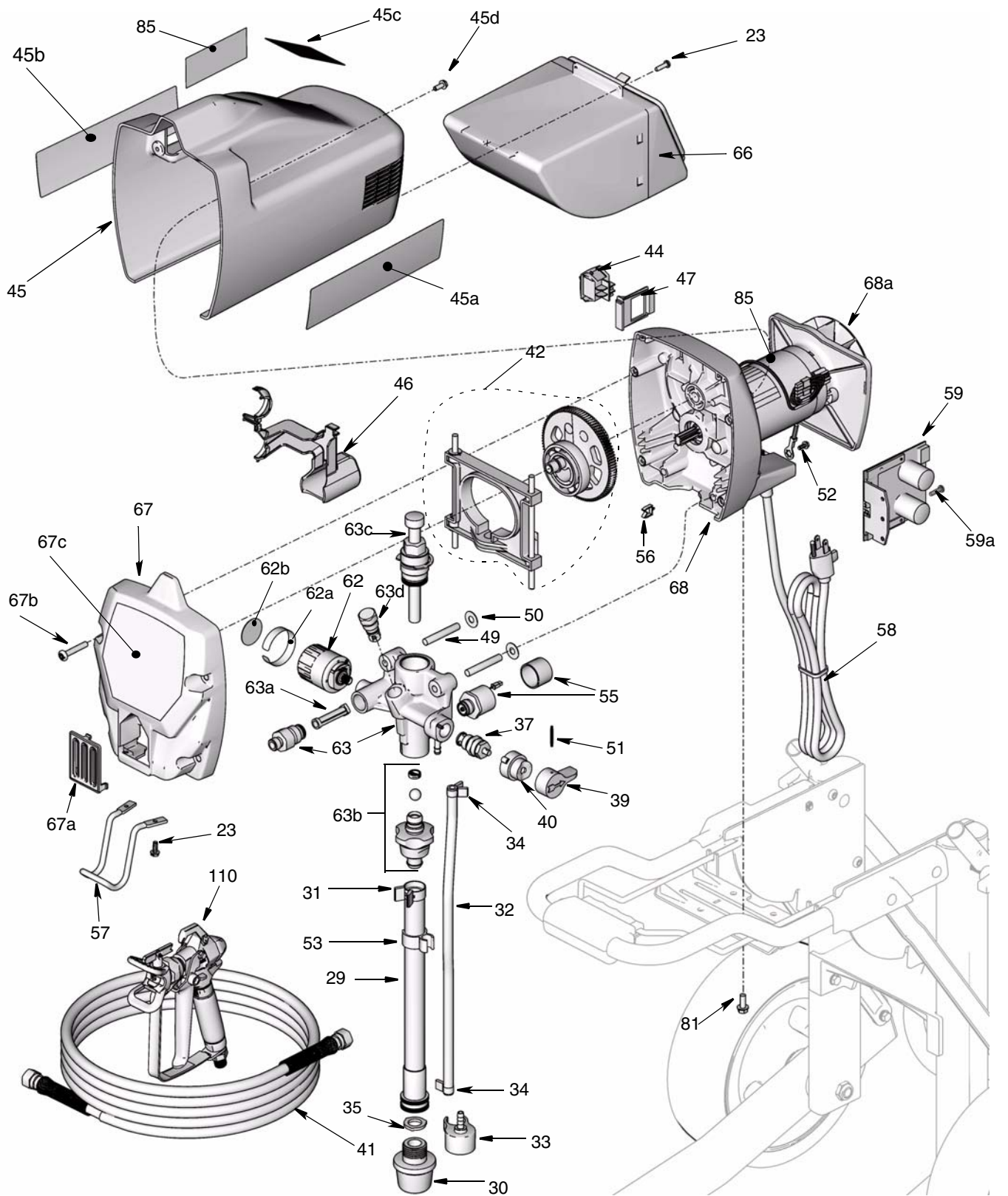
ProX7 and ProX9 Sprayers, Model 261815, 261820

Ref	Part	Description	Qty	Ref	Part	Description	Qty
1	15J632	LEG	2	55	289107	KIT, solenoid	1
2	15J633	SUPPORT, frame	2	56	119275	WIRE CLIP	1
3	15J641	PULL ROD	1	57	15J790	PAIL HOOK	1
4	15J675	SPACER, frame	4	58	15J952	POWER CORD, lighted	1
5	15J678	BRACKET	2	59	288705	KIT, Control, ProX7	1
6	15J940	AXLE PIN, ProX7	2		288900	KIT, Control, ProX9	1
	15J691	AXLE PIN, ProX9	2	59a	115477	SCREW	1
7	15J695	TUBE CAP	2	62	244267	KIT, Pressure Control, includes 62a, 62b	1
8	15J699	TUBE CAP	4	62a▲	15K530	LABEL	1
9	247313	ACTUATOR	1	62b▲	15A464	LABEL	1
10	119547	NUT, hex, lock, nylon, 1/2-13 in.	2	63	288703	KIT, Pump, (complete) ProX7, includes 37, 39, 40, 51, 63a, 63b, 63c, 63d	1
12	247314	COVER, side	1		288702	KIT, Pump (complete) ProX9, includes 37, 39, 40, 51, 63a, 63b, 63c, 63d	1
15	15J941	PIN	4	63a	288747	KIT, Filter	1
16	15J949	HOSE RACK	1	63b	288700	KIT, Pump Inlet Module, ProX7	1
17	15J950	CART HANDLE	1		288699	KIT, Pump Inlet Module, ProX9	1
18	15J984	SPACER, linkage	2	63c	288818	KIT, Packing Repair	1
19	15J985	BRACE, center	1	63d	243094	KIT, Pump Outlet Valve	1
20	288458	BRACKET, frame	1	66	288709	KIT, Tool Box	1
21	112612	HUB CAP	2	67	288692	KIT, Housing Cover, includes 67a, 67b, 67c	1
22	15J681	BAR, linkage	2	67a	15J809	COVER, Pump Outlet	1
23	115477	SCREW, mach, 8-16 x 5/8 in. plastite	8	67b	115478	SCREW, mach, 1/4 x 20 x 1.375 in. taptite	4
25	117630	SCREW, torx, 1/4-20 x .50 in. taptite	4	67c▲	15K492	LABEL, front, ProX7	1
27	120688	SPRING, compression	2		15K493	LABEL, front, ProX9	1
28	120689	NUT, hex, acorn, 5/16-18	2	68	289104	KIT, Motor, includes 68a	1
29	15K617	SUCTION TUBE, includes 35	1	68a	287770	KIT, fan	1
30	243082	KIT, Strainer	1	75	101005	RING, retaining, ext.	6
31	116295	TUBE CLAMP	1	76	120729	WHEEL, 10 inch, ProX7	2
32	195108	DRAIN TUBE	1		115094	WHEEL, 10 inch, ProX9	2
33	244035	DEFLECTOR	1	77	15K315	SPACER, ProX7	2
34	115489	DRAIN TUBE CLAMP	2	80	289125	KIT, Paint Shield Tray, page 12, includes 80a, 80b	1
35	115099	WASHER	1	80a▲	15K639	LABEL, paint shield tray instructions	1
37	235014	KIT, Drain Valve	1	80b▲	15G180	LABEL, warning, skin injection	1
38	115648	SHUTOFF VALVE (not shown)	1	81	260212	SCREW, hw hd, thd form 1/4-20 x .75 in.	10
39	187625	DRAIN VALVE HANDLE	1	82	120788	SCREW, carriage, 1/4-20 x 3 in.	2
40	224807	BASE, valve	1	83	115480	T-HANDLE KNOB	2
41	247340	HOSE, cpld, 1/4 in. x 50 ft	1	85▲		SERIAL LABEL	2
42	289102	KIT, Gear And Yoke	1	88▲	198547	HANG TAG, instructional (not shown)	1
43	244168	FLUID, Pump Armor, 8 oz (not shown)	1	92▲	179960	SIGN, Warning (not shown)	1
44	118899	ROCKER SWITCH	1	93▲	15K551	QUICK GUIDE, English (not shown)	1
45	288695	KIT, Motor Shield, includes 45a, 45b, 45c, 45d	1		15K552	QUICK GUIDE, Spanish (not shown)	1
45a▲	15K521	LABEL, warning skin injection	1	97	15C295	LOOSE LEAF RING, (not shown)	1
45b▲	15K522	LABEL, warning fire explosion	1	110	255108	SPRAY GUN, SG20	1
45c▲	15K520	LABEL, warning elec shock	1	114	15K630	PRACTICE SPRAY BOARD, page 12	1
45d	118444	SCREW, mach, hw hd 10-24 x .5 in.	2				
46	15J802	SOLENOID COVER	1				
47	15J803	SWITCH BRACKET	1				
49	194507	DOWEL PIN, 5/16	2				
50	196001	WASHER	2				
51	111600	PIN, grooved	1				
52	115498	SCREW, ground, 8-32 x .375 in. taptite	1				
53	195400	SPRING CLIP	1				

▲ Replacement Danger and Warning labels, tags, and cards are available at no cost.

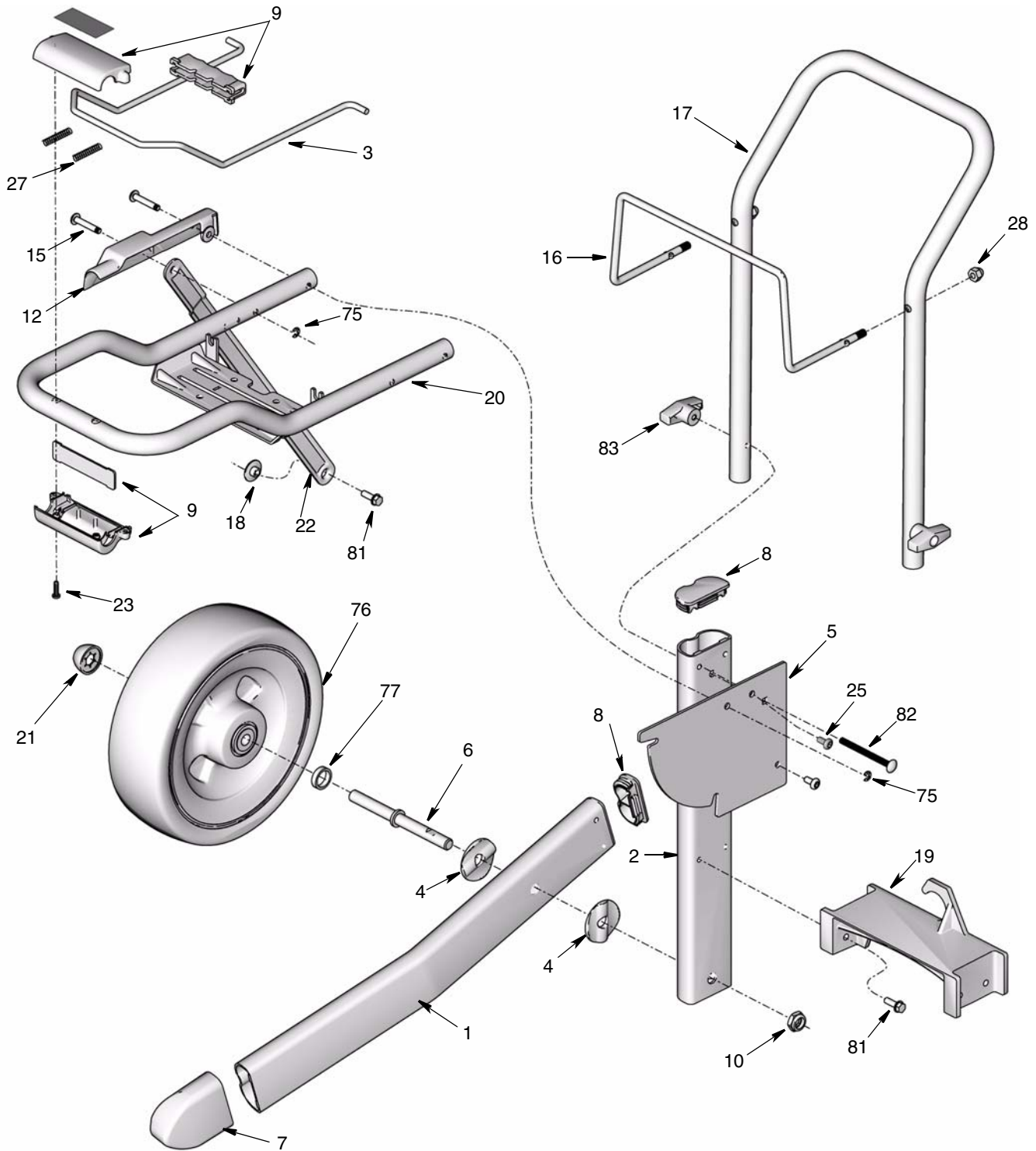
Parts

ProX7 and ProX9 Sprayers, Models 261815, 261820



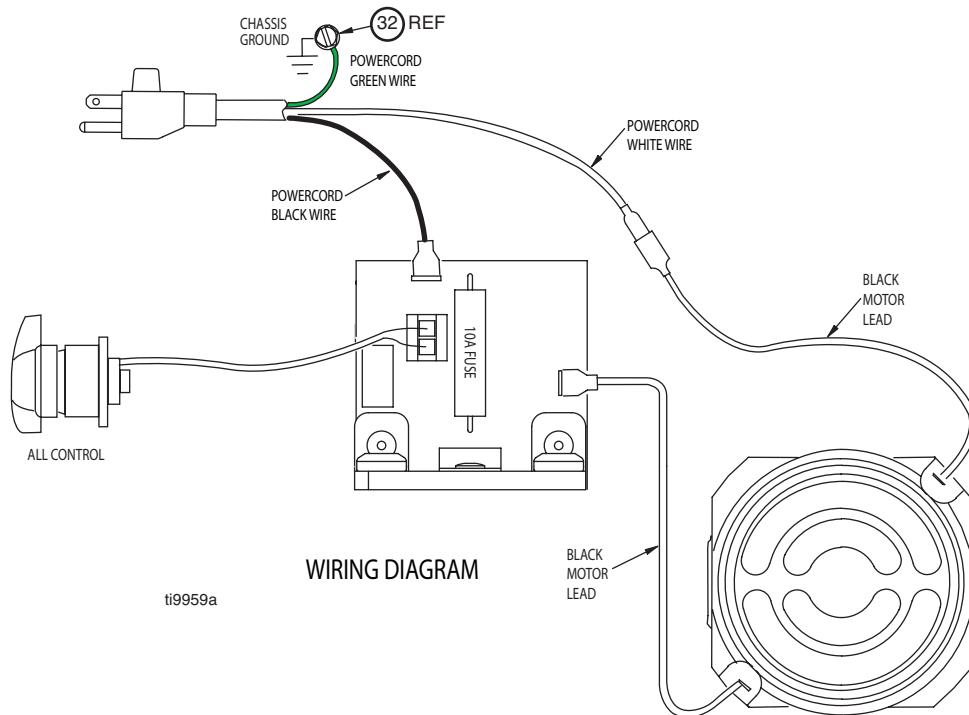
Parts

ProX7 and ProX9 Sprayers, Models 261810, 261820

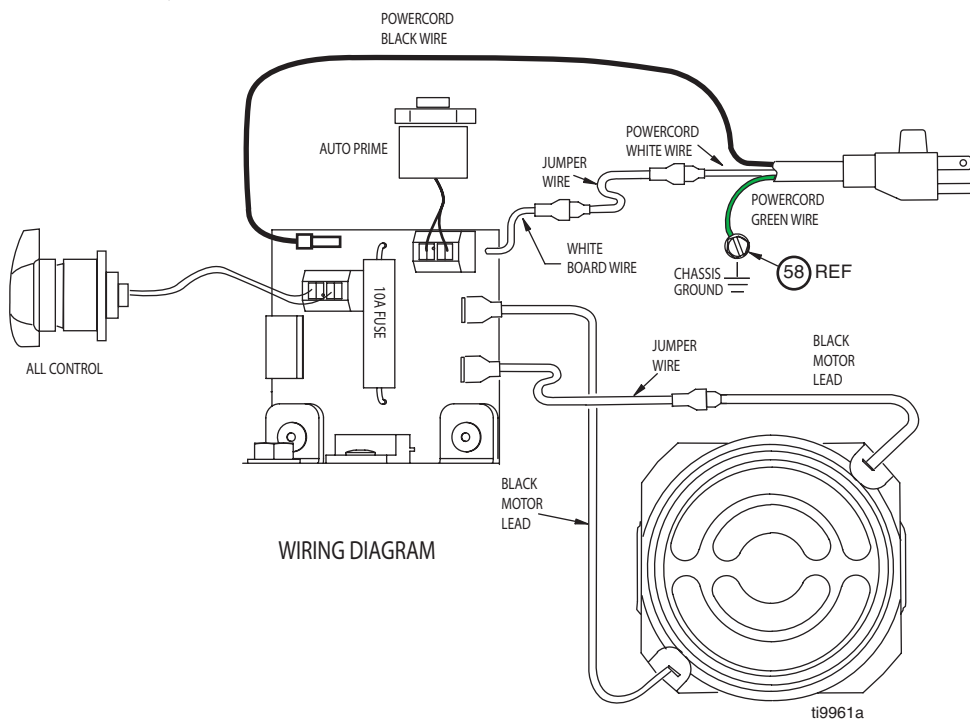


Parts Wiring Diagrams

Project Painter 5, Model 261800

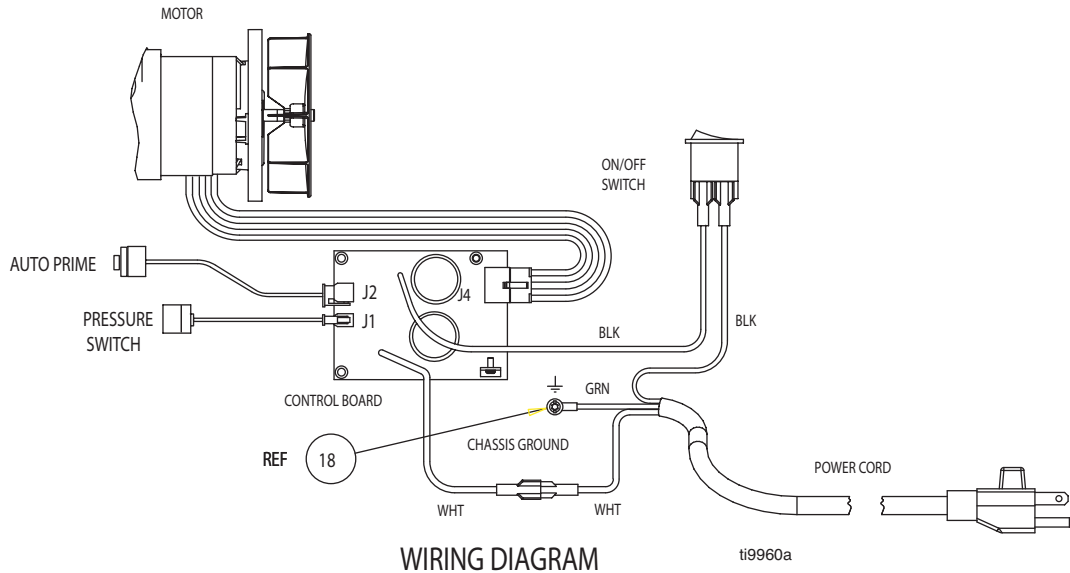


Project Painter 7, Model 261805

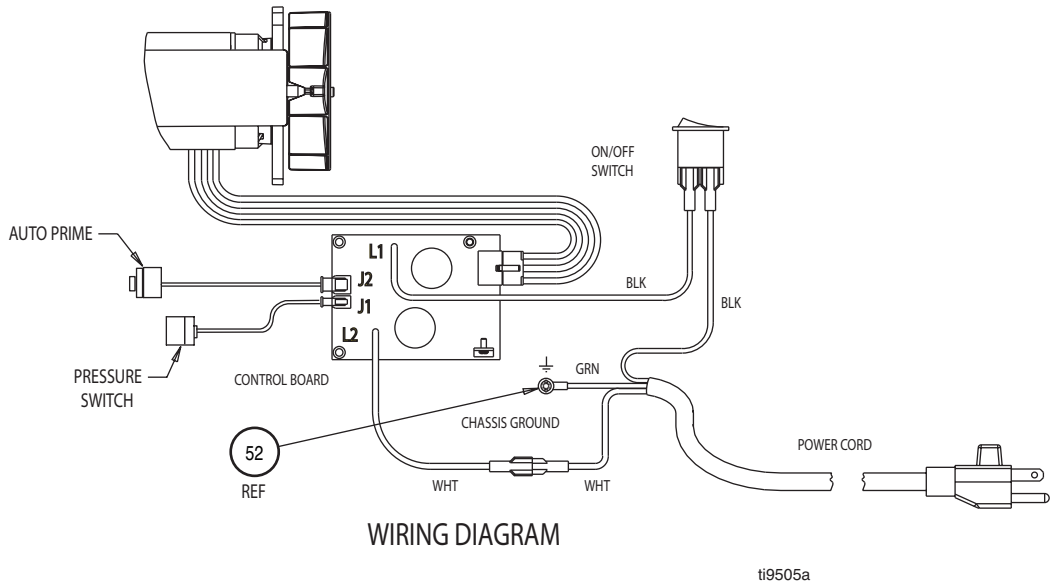


Parts Wiring Diagrams

SR7, Model 261810



ProX7 and ProX9, Models 261815, 261820



Technical Data

Project Painter 5, Model 261800

Working pressure range	0-2800 psi (0-19 MPa, 0 -193 bar)
Electric motor	6.3 AMP (open frame, universal)
Operating horsepower	3/8
Maximum delivery (with tip)	0.24 gpm (0.91 lpm)
Paint hose	1/4 in. x 25 ft (6.4 mm x 7.5 m)
Maximum tip hole size	0.015 in. (0.38 mm)
Weight:	
Sprayer only	20 lbs. (9.0 Kg)
Sprayer, hose & gun	23 lbs. (10.5 Kg)
Roller	1 lb. (0.5 Kg)
Dimensions:	
Length	22.5 in. (57 cm)
Width	14 in. (35.6 cm)
Height	16.5 in. (41.9 cm)
Power cord	18 AWG, 3-wire, 6 ft (1.8 m)
Fluid inlet fitting	3/4 in. internal thread (standard garden hose thread)
Fluid outlet fitting	1/4 NPSM external thread
Inlet screen	35 mesh (450 micron)
Wetted parts, pump & hose	stainless steel, brass, ultra-high molecular weight polyethylene (UHMWPE), carbide, nylon, aluminum, PVC, polypropylene, fluoroelastomer
Wetted parts, gun	SG10: plated steel, nylon, aluminum, tungsten carbide, stainless steel, brass, fluoroelastomer
Generator requirement	1500 Watt minimum
Electrical power requirement	120VAC, 60 Hz, 1 phase, 15A
Storage temperature range ♦❖	-30° to 160°F (-35° to 71°C)
Operating temperature range ✓	40° to 115°F (4° to 46°C)

Technical Data

Project Painter 7, Model 261805

Working pressure range	0-3000 psi (0-21 MPa, 0 -207 bar)
Electric motor	6.5 AMP (open frame, universal)
Operating horsepower	1/2
Maximum delivery (with tip)	0.31 gpm (1.17 lpm)
Paint hose	1/4 in. x 35 ft (6.4 mm x 11 m)
Maximum tip hole size	0.017 in. (0.43 mm)
Weight, sprayer only	15 lb (7 kg)
Weight, sprayer, hose & gun	20 lb (9 kg)
Dimensions: Length	17.5 in. (44.5 cm)
Width	18.0 in. (46 cm)
Height	41.25 in. (105 cm)
Height folded handle	24.25 in (61.5 cm)
Power cord	18 AWG, 3-wire, 6 ft (1.8 m)
Fluid inlet fitting	3/4 in. internal thread (standard garden hose thread)
Fluid outlet fitting	1/4 NPSM external thread
Inlet screen	35 mesh (450 micron)
Wetted parts, pump & hose	stainless steel, brass, ultra-high molecular weight polyethylene (UHMWPE), carbide, nylon, aluminum, PVC, polypropylene, fluoroelastomer
Wetted parts, gun	SG10: plated steel, nylon, aluminum, tungsten carbide, stainless steel, brass, fluoroelastomer
Generator requirement	1500 Watt minimum
Electrical power requirement	120VAC, 60 Hz, 1 phase, 15A
Storage temperature range ♦❖	-30° to 160°F (-35° to 71°C)
Operating temperature range ✓	40° to 115°F (4° to 46°C)

Technical Data

SR7, Model 261810

Working pressure range	0-3000 psi (0-21 MPa, 0-207 bar)
Electric motor	6.5A (open frame, permanent magnet DC)
Operating horsepower	1/2
Maximum delivery (with tip)	0.31 gpm (1.17 lpm)
Paint hose	1/4 in. x 35 ft (6.4 mm x 11 m)
Maximum tip hole size	0.017 in. (0.43 mm)
Weight, sprayer only	31 lb (14 kg)
Weight, sprayer, hose & gun	36 lb (17 kg)
Dimensions: Length	19.5 in. (49.5 cm)
Width	17.25 in. (43.8 cm)
Height	40.75 in. (103.5 cm)
Height with folded handle	26 in. (66 cm)
Power cord	16 AWG, 3-wire, 6 ft (1.8 m)
Fluid inlet fitting	3/4 in. internal thread (standard garden hose thread)
Fluid outlet fitting	1/4 NPSM external thread
Inlet screen (on suction tube)	35 mesh (450 micron)
Wetted parts, pump & hose	stainless steel, brass, leather, ultra-high molecular weight polyethylene (UHMWPE), carbide, nylon, aluminum, PVC, polypropylene, fluoroelastomer
Wetted parts, gun	SG10: aluminum, brass, carbide, nylon, plated steel, stainless steel, UHMWPE, zinc
Generator requirement	1500 Watt minimum
Electrical power requirement	120 Vac, 60 Hz, 15A, 1 phase
Storage temperature range ♦❖	-30° to 160°F (-35° to 71°C)
Operating temperature range ✓	40° to 115°F (4° to 46°C)

Technical Data

ProX7 and ProX9, Models 261815, 261820

	MAGNUM ProX7 Model 261815	MAGNUM ProX9 Model 261820
Working pressure range	0-3000 psi (0-21 MPa, 0-207 bar)	0-3000 psi (0-21 MPa, 0-207 bar)
Electric motor	5.8A (open frame, permanent magnet DC)	9.4A (open frame, permanent magnet DC)
Operating horsepower	1/2	5/8
Maximum delivery (with tip)	0.34 gpm (1.28 lpm)	0.38 gpm (1.44 lpm)
Paint hose	1/4 in. x 50 ft (6.4 mm x 15 m)	1/4 in. x 50 ft (6.4 mm x 15 m)
Maximum tip hole size	0.017 in. (0.43 mm)	0.019 in. (0.48 mm)
Weight, sprayer only	43 lb (20 kg)	43 lb (20 kg)
Weight, sprayer, hose & gun	46 lb (21 kg)	46 lb (21 kg)
Dimensions (Upright):		
Length	23.75 in. (60.32 cm)	23.75 in. (60.32 cm)
Width	17.5 in. (44.45 cm)	19.25 in. (48.89 cm)
Height	36.5 in. (92.71 cm)	36.5 in. (92.71 cm)
Dimensions (Folded):		
Length	23.25 in. (59.05 cm)	23.25 in. (59.05 cm)
Width	17.5 in. (44.45 cm)	19.25 in. (48.89 cm)
Height	22.00 in. (55.88 cm)	22.00 in. (55.88 cm)
Power cord	16 AWG, 3-wire, 6 ft (1.8 m)	
Fluid inlet fitting	3/4 in. internal thread (standard garden hose thread)	
Fluid outlet fitting	1/4 NPSM external thread	
Inlet screen (on suction tube)	35 mesh (450 micron)	
Wetted parts, pump & hose	SG20: stainless steel, brass, leather, ultra-high molecular weight polyethylene (UHMWPE), carbide, nylon, aluminum, PVC, polypropylene, fluoroelastomer	
Wetted parts, gun	aluminum, brass, carbide, nylon, plated steel, stainless steel, UHMWPE, zinc	
Generator requirement	1500 Watt minimum	
Electrical power requirement	120 Vac, 60 Hz, 15A, 1 phase	
Storage temperature range ♦♦	-30° to 160°F (-35° to 71°C)	
Operating temperature range ✓	40° to 115°F (4° to 46°C)	

- ♦ When pump is stored with non-freezing fluid. Pump damage will occur if water or latex paint freezes in pump.
- ❖ Damage to plastic parts may result if impact occurs in low temperature conditions.
- ✓ Changes in paint viscosity at very low or very high temperatures can affect sprayer performance.

Graco Standard Warranty

Graco warrants all equipment referenced in this document which is manufactured by Graco and bearing its name to be free from defects in material and workmanship on the date of sale to the original purchaser for use. With the exception of any special, extended, or limited warranty published by Graco, Graco will, for a period of twelve months from the date of sale, repair or replace any part of the equipment determined by Graco to be defective. This warranty applies only when the equipment is installed, operated and maintained in accordance with Graco's written recommendations.

This warranty does not cover, and Graco shall not be liable for general wear and tear, or any malfunction, damage or wear caused by faulty installation, misapplication, abrasion, corrosion, inadequate or improper maintenance, negligence, accident, tampering, or substitution of non-Graco component parts. Nor shall Graco be liable for malfunction, damage or wear caused by the incompatibility of Graco equipment with structures, accessories, equipment or materials not supplied by Graco, or the improper design, manufacture, installation, operation or maintenance of structures, accessories, equipment or materials not supplied by Graco.

This warranty is conditioned upon the prepaid return of the equipment claimed to be defective to an authorized Graco distributor for verification of the claimed defect. If the claimed defect is verified, Graco will repair or replace free of charge any defective parts. The equipment will be returned to the original purchaser transportation prepaid. If inspection of the equipment does not disclose any defect in material or workmanship, repairs will be made at a reasonable charge, which charges may include the costs of parts, labor, and transportation.

THIS WARRANTY IS EXCLUSIVE, AND IS IN LIEU OF ANY OTHER WARRANTIES, EXPRESS OR IMPLIED, INCLUDING BUT NOT LIMITED TO WARRANTY OF MERCHANTABILITY OR WARRANTY OF FITNESS FOR A PARTICULAR PURPOSE.

Graco's sole obligation and buyer's sole remedy for any breach of warranty shall be as set forth above. The buyer agrees that no other remedy (including, but not limited to, incidental or consequential damages for lost profits, lost sales, injury to person or property, or any other incidental or consequential loss) shall be available. Any action for breach of warranty must be brought within two (2) years of the date of sale.

GRACO MAKES NO WARRANTY, AND DISCLAIMS ALL IMPLIED WARRANTIES OF MERCHANTABILITY AND FITNESS FOR A PARTICULAR PURPOSE, IN CONNECTION WITH ACCESSORIES, EQUIPMENT, MATERIALS OR COMPONENTS SOLD BUT NOT MANUFACTURED BY GRACO. These items sold, but not manufactured by Graco (such as electric motors, switches, hose, etc.), are subject to the warranty, if any, of their manufacturer. Graco will provide purchaser with reasonable assistance in making any claim for breach of these warranties.

In no event will Graco be liable for indirect, incidental, special or consequential damages resulting from Graco supplying equipment hereunder, or the furnishing, performance, or use of any products or other goods sold hereto, whether due to a breach of contract, breach of warranty, the negligence of Graco, or otherwise.

FOR GRACO CANADA CUSTOMERS

The Parties acknowledge that they have required that the present document, as well as all documents, notices and legal proceedings entered into, given or instituted pursuant hereto or relating directly or indirectly hereto, be drawn up in English.

Les parties reconnaissent avoir convenu que la rédaction du présente document sera en Anglais, ainsi que tous documents, avis et procédures judiciaires exécutés, donnés ou intentés, à la suite de ou en rapport, directement ou indirectement, avec les procédures concernées.

TO PLACE AN ORDER or to identify the nearest Graco/MAGNUM distributor, contact us at 1-888-541-9788

*All written and visual data contained in this document reflects the latest product information available at the time of publication.
Graco reserves the right to make changes at any time without notice.*

MM 312004

This manual contains English

Graco Headquarters: Minneapolis
International Offices: Belgium, China, Japan, Korea
GRACO INC. P.O. BOX 1441 MINNEAPOLIS, MN 55440-1441
www.graco.com
07/2008